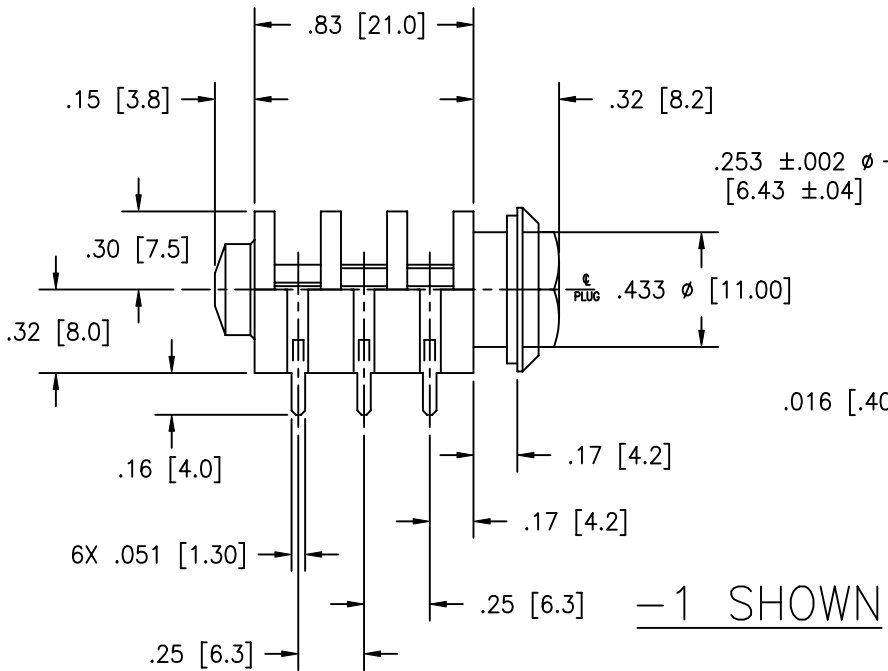


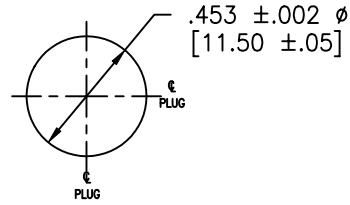
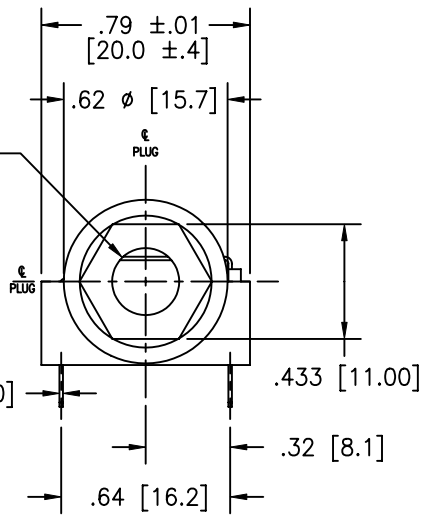
UNLESS OTHERWISE SPECIFIED, ALL DIMENSIONS ARE IN INCHES WITH METRIC IN BRACKETS.

TO 2 DEC. PLS. ? .01 [.3]
 TO 3 DEC. PLS. ? .006 [.15]
 AS ANGLES ?

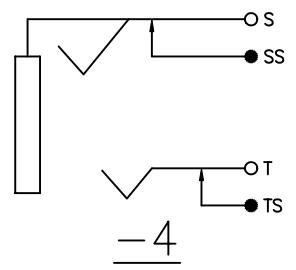
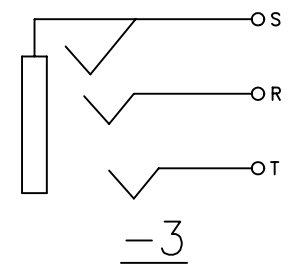
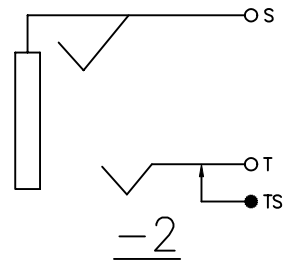
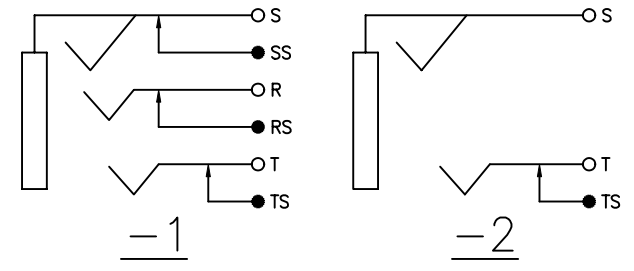
ISSUE	DATE	AUTH.
A	10/19/92	A1034
B	01/15/95	



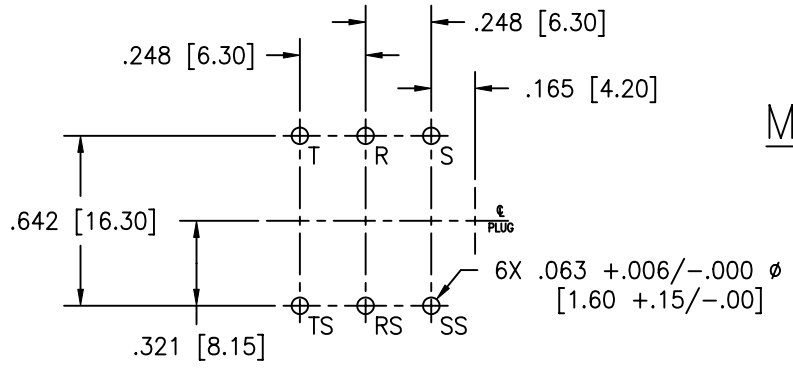
-1 SHOWN



MOUNTING HOLE



SCHEMATICS



P.C.B. LAYOUT

PART	QTY	MATERIAL/FINISH
HOUSING	1	NYLON-66, BLACK, UL94V-2 RATED
TIP SPRING	3	P.B.S., SILVER PLATED
SHUNT SPRING	3	BRASS, SILVER PLATED
WASHER	1	PAPER SHEET, RED, .04 [1.0] THK
WASHER	1	NYLON-66, BLACK, UL94-2 RATED, .19 [4.8] THK X .6 [15]
BUSHING	1	BRASS, NICKEL PLATED

AUTOCAD GENERATED
 DO NOT MANUALLY CHANGE



TITLE: HEADPHONE JACK		PART NO: SI-511-X	
DATE: 9/18/92	DRAWN: GAM	CHKD:	SCALE: 2/1 SHEET: 1 OF 1