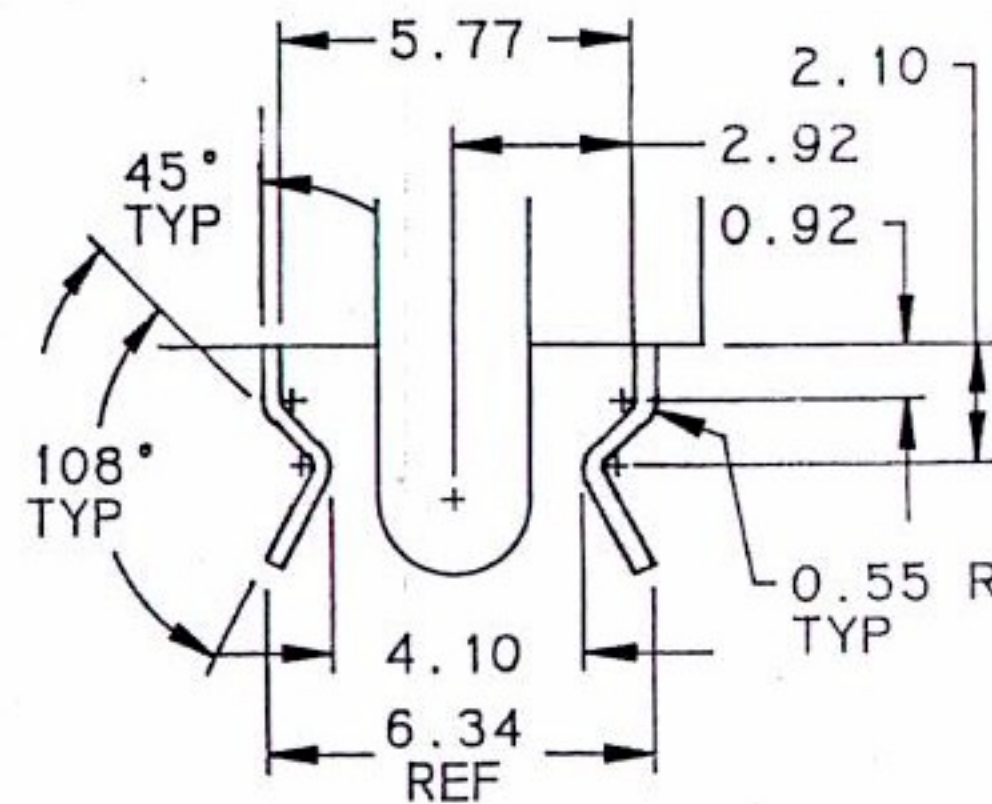
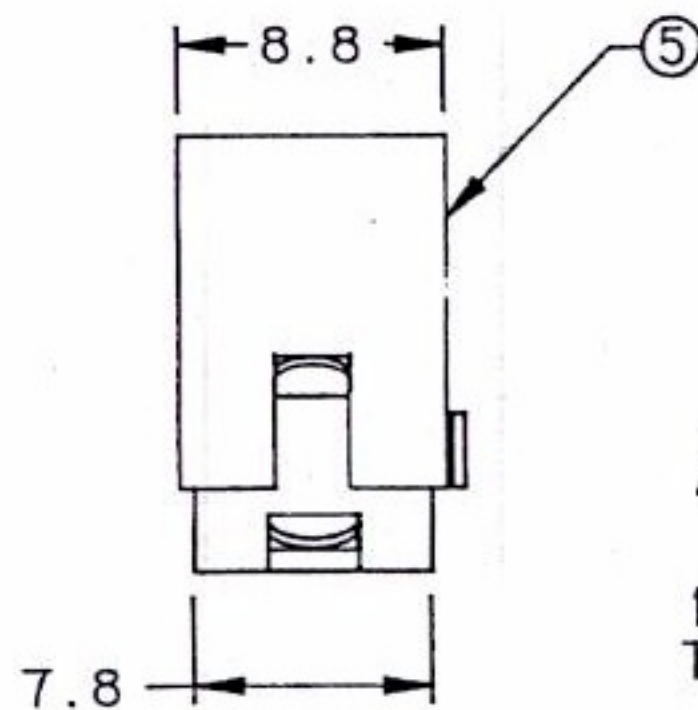
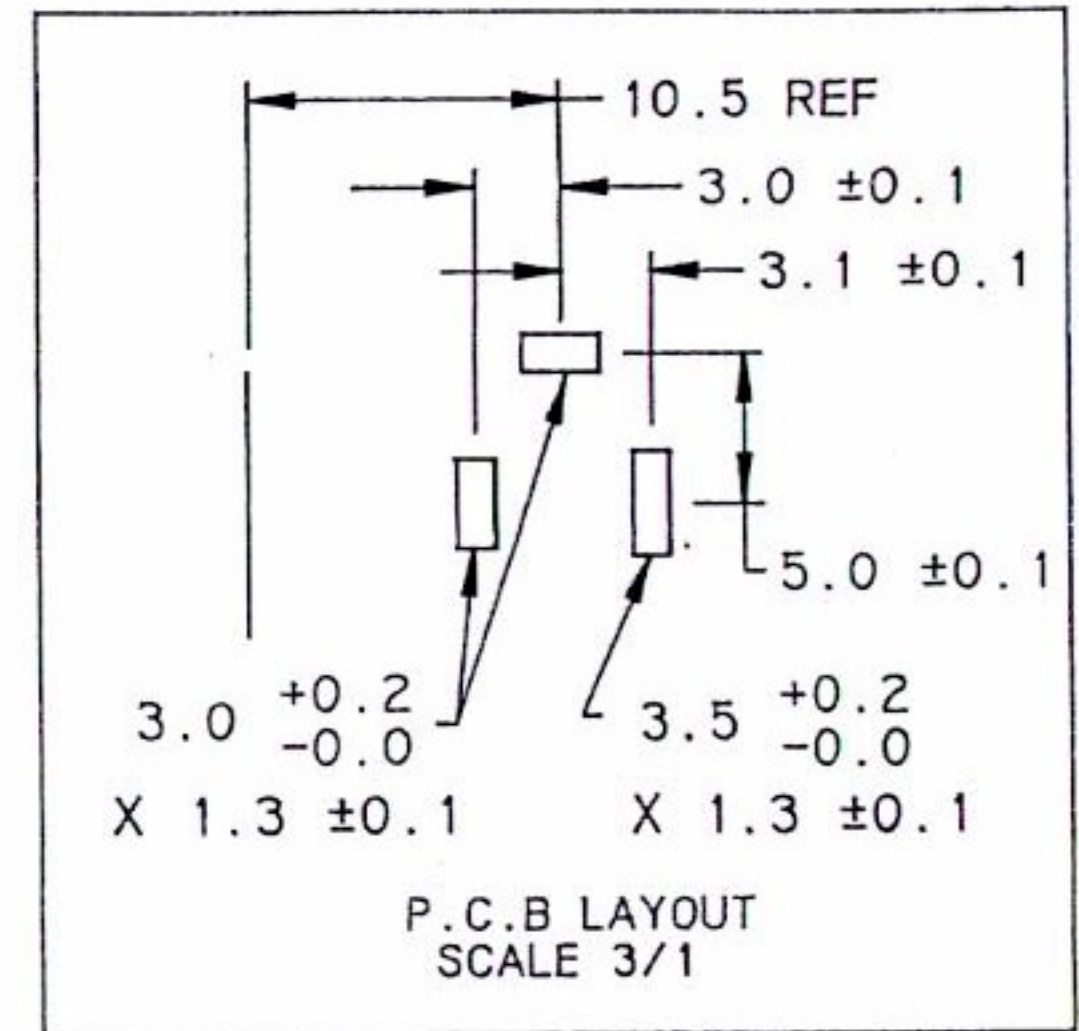
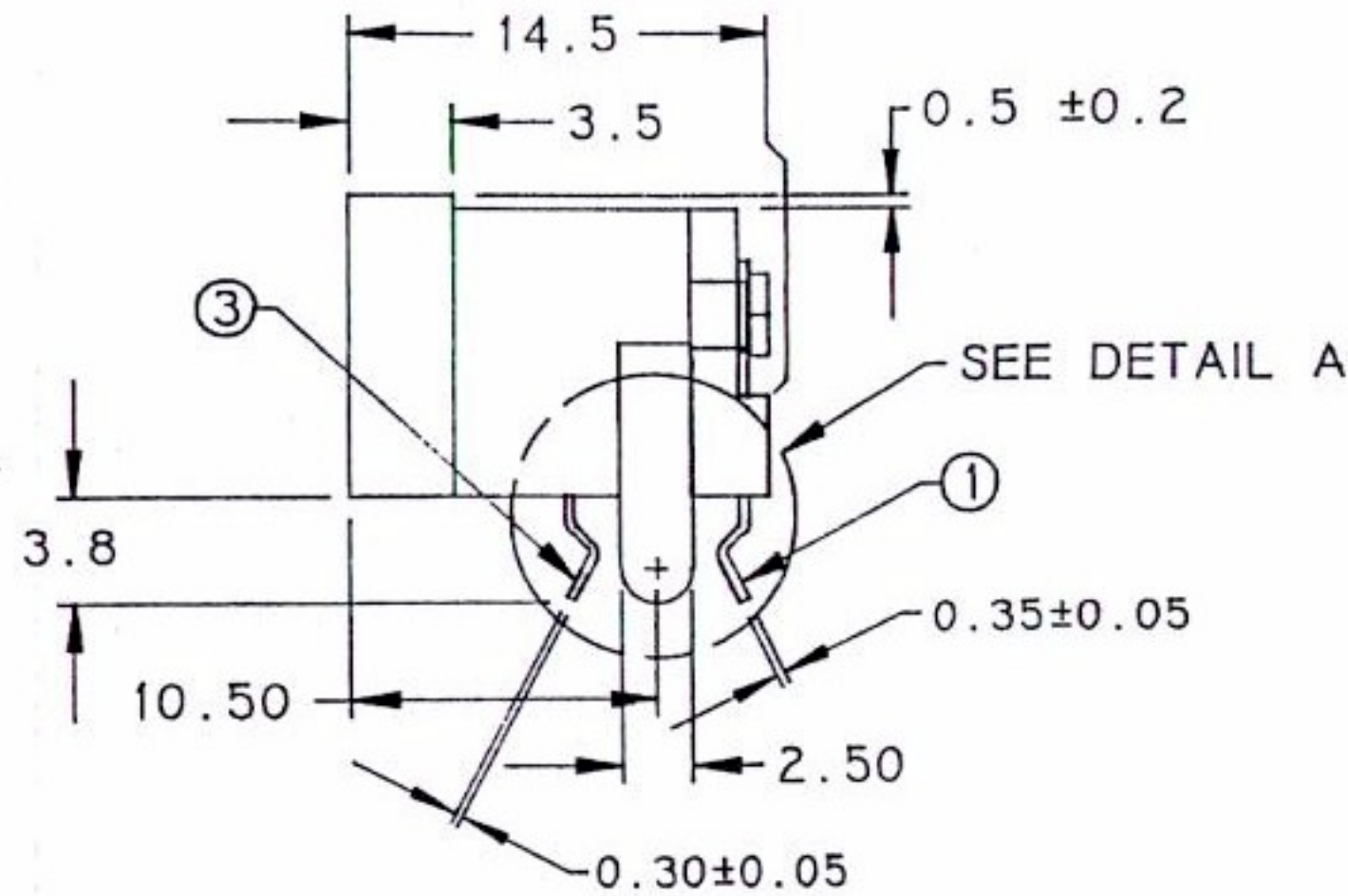
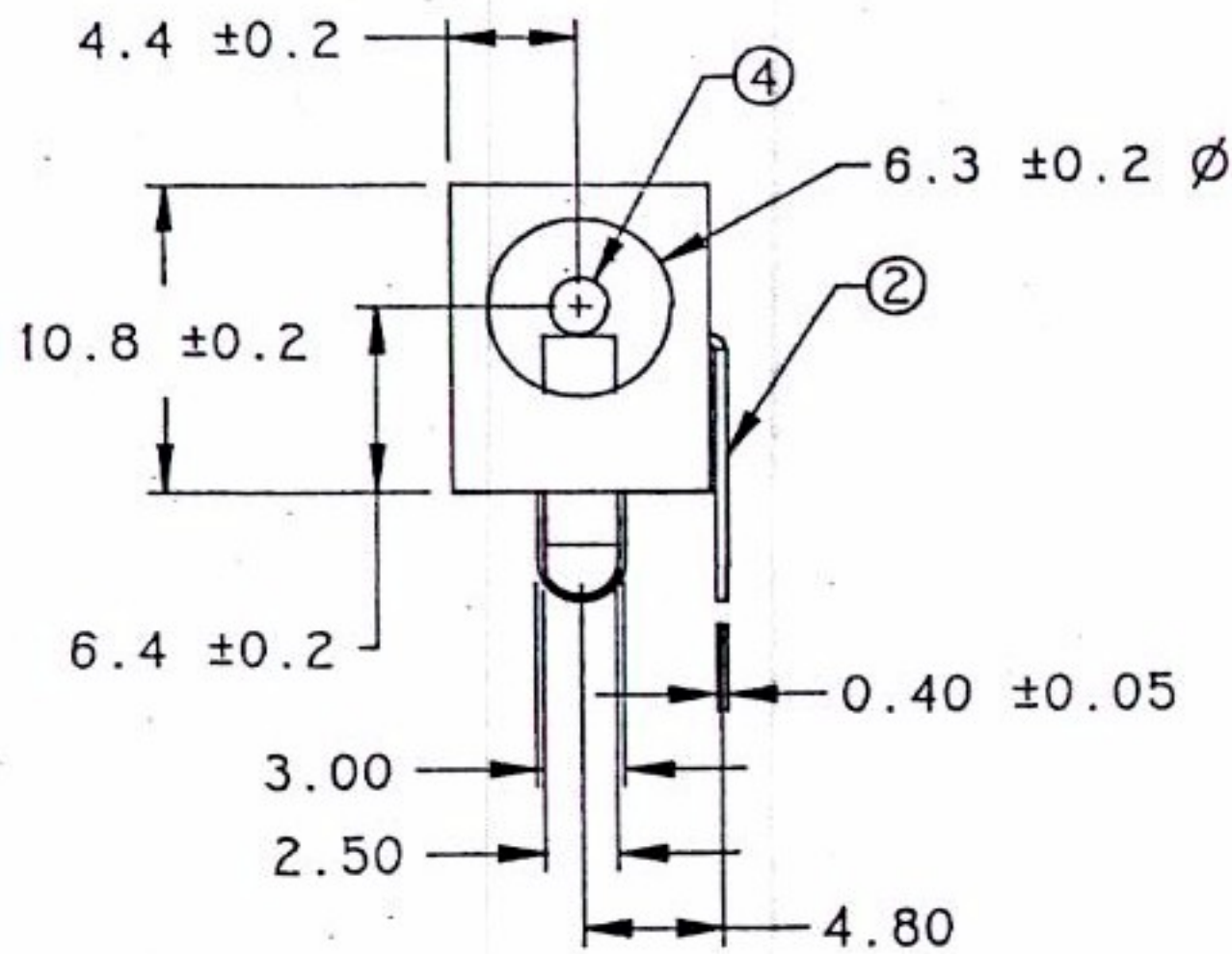


UNLESS OTHERWISE SPECIFIED, ALL DIMENSIONS ARE IN METRIC.  
DIMENSIONS OTHER THAN SIZE OF RAW MATERIAL SHALL BE HELD AS  
FOLLOWS WHEN EXPRESSED.

TO 1 DECIMAL PLACE ±.3  
TO 2 DECIMAL PLACES ±.15  
AS ANGLES ±

ISSUE	DATE
A	1/10/95
B	6/27/95
C	7/14/95



DETAIL A



DRAWING NUMBER	PIN DIAMETER
-1	1.45 +.00/-.10
-2	1.87 +.00/-.10
-3	2.00 +.00/-.10
-4	2.35 +.00/-.10
-5	2.50 +.00/-.10

ITEM	DESCRIPTION	MATERIAL/FINISH
1	PIN TERMINAL	BRASS, SILVER PLATED
2	SLEEVE SHUNT	BRASS, SILVER PLATED
3	SLEEVE SPRING	PHOSPHOR BRONZE, SILVER PLATED
4	PIN	BRASS, NICKEL PLATED
5	HOUSING	PBT UL94V-0

**SR SENIOR INDUSTRIES, INC.**

TITLE: DC POWER JACK PART NO: SI-515C-X  
DATE: 12/30/94 DRAWN: HV CHKD: [Signature] SCALE: 3/1 SHEET: 1 OF 1