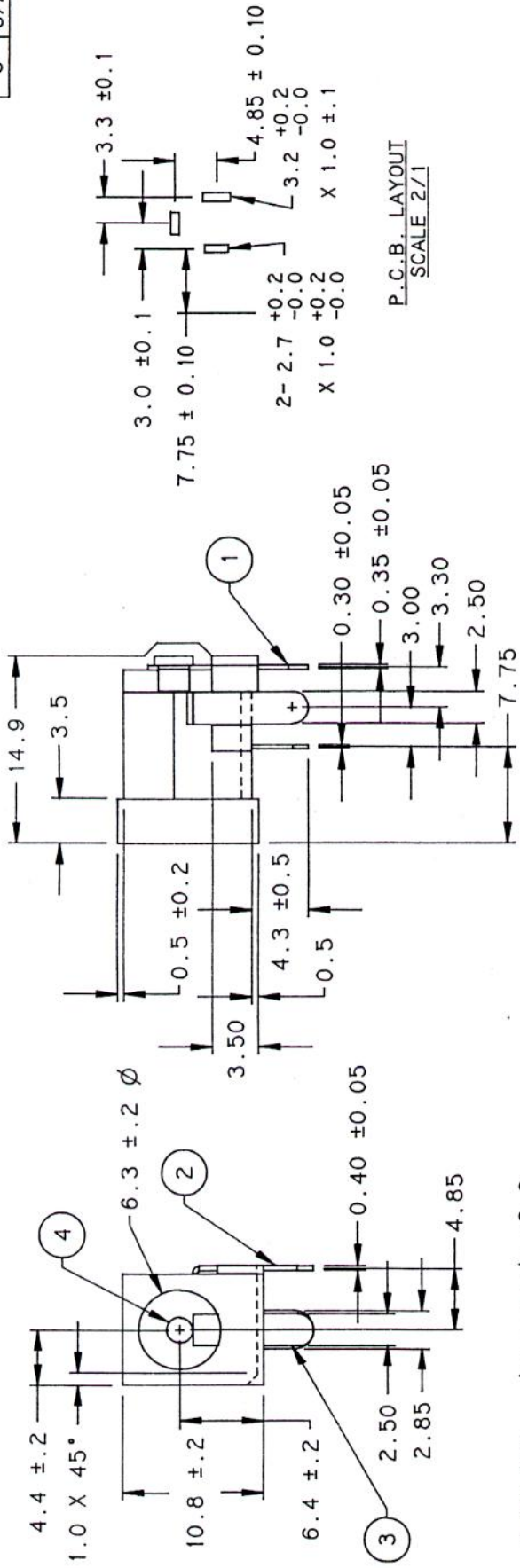


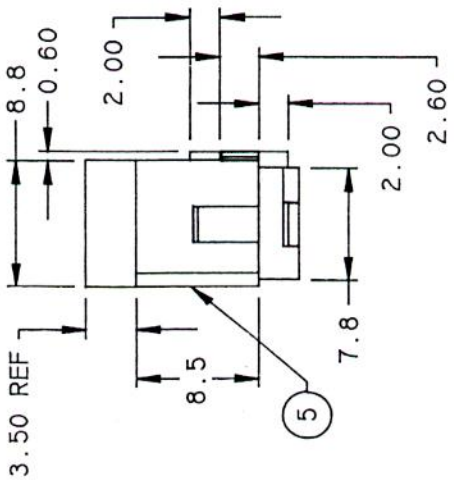
ISSUE	DATE
A	1/10/95
B	7/14/95
C	8/22/95

UNLESS OTHERWISE SPECIFIED, ALL DIMENSIONS ARE IN METRIC.
DIMENSIONS OTHER THAN SIZE OF RAW MATERIAL SHALL BE HELD AS FOLLOWS WHEN EXPRESSED.

TO 1 DECIMAL PLACE ±0.3
TO 2 DECIMAL PLACES ±0.15
AS ANGLES ±



P.C.B. LAYOUT
SCALE 2/1



DRAWING NUMBER	PIN DIAMETER
-1	1.45 +.00/-0.10
-2	1.87 +.00/-0.10
-3	2.00 +.00/-0.10
-4	2.35 +.00/-0.10
-5	2.50 +.00/-0.10

PIN TERMINAL
SLEEVE SHUNT
SLEEVE SPRING
SCHEMATIC

ITEM	DESCRIPTION	MATERIAL/FINISH
1	PIN TERMINAL	BRASS, SILVER PLATED 30 MICRONS MIN.
2	SLEEVE SHUNT	BRASS, SILVER PLATED 30 MICRONS MIN.
3	SLEEVE SPRING	PHOSPHOR BRONZE, SILVER PLATED 30 MICRONS MIN.
4	PIN	BRASS, 75 MICRONS MIN. SILVER OVER 50-150 MICRONS NICKEL
5	HOUSING	PPS UL94V-0

	TITLE: DC POWER JACK	PART NO: SI-515S-X
	DATE: 12/30/94	DRAWN: HV
	CHKD: [Signature]	SCALE: 3/1
		SHEET: 1 OF 1