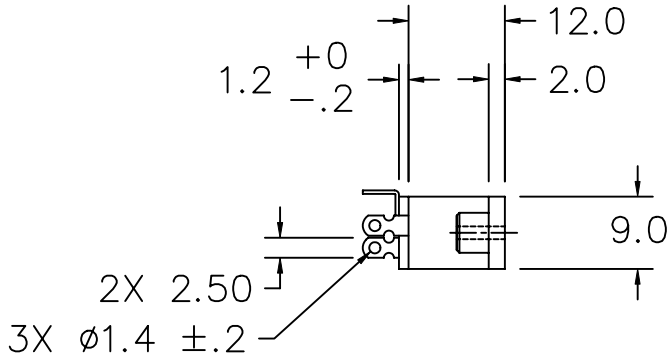
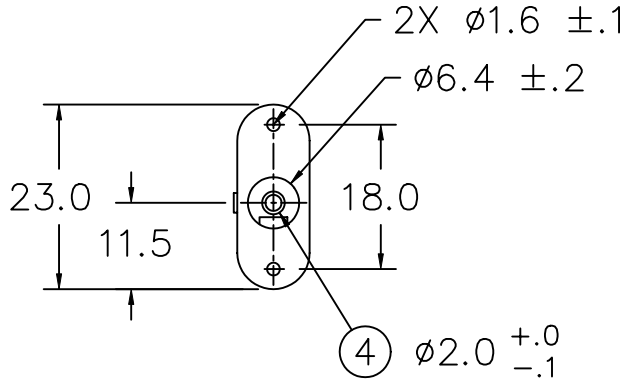
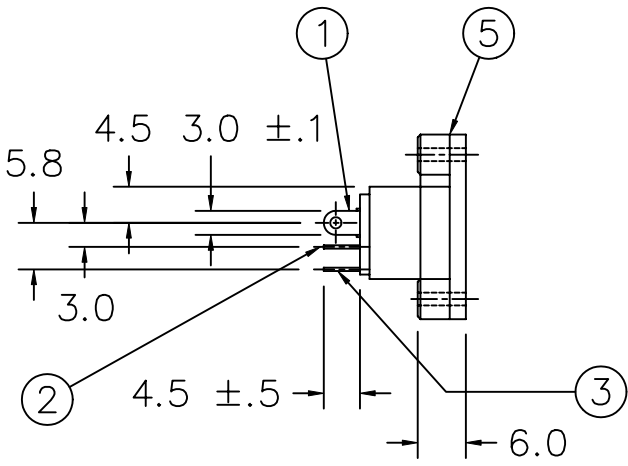


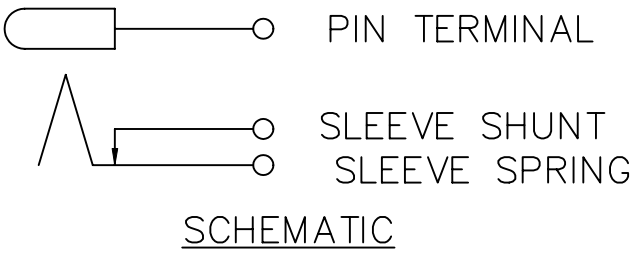
UNLESS OTHERWISE SPECIFIED, ALL DIMENSIONS ARE IN METRIC.  
 DIMENSIONS OTHER THAN SIZE OF RAW MATERIAL SHALL BE  
 HELD AS FOLLOWS WHEN EXPRESSED.

TO 1 DECIMAL PLACE ±.3  
 TO 2 DECIMAL PLACES ±.15  
 AS ANGLES ±

ISSUE	DATE	AUTH.
A	10/21/93	A1162
B	10/08/04	



SI-520-3 SHOWN



DRAWING NUMBER	PIN DIAMETER
-1	1.45 +.00/-0.10
-2	1.87 +.00/-0.10
-3	2.00 +.00/-0.10
-4	2.35 +.00/-0.10
-5	2.50 +.00/-0.10

ITEM	DESCRIPTION	MATERIAL/FINISH
1	PIN TERMINAL	BRASS, SILVER PLATED
2	SLEEVE SHUNT	BRASS, SILVER PLATED
3	SLEEVE SPRING	PHOSPHOR BRONZE, SILVER PLATED
4	PIN	BRASS, NICKEL PLATED
5	HOUSING	ABS UL94HB



TITLE: DC POWER JACK		PART NO: SI-520-X	
DATE: 09/13/93	DRAWN: KRM	CHKD: TF	SCALE: 1/1 SHEET: 1 OF 1