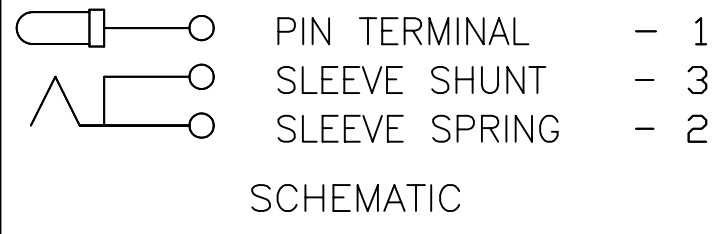
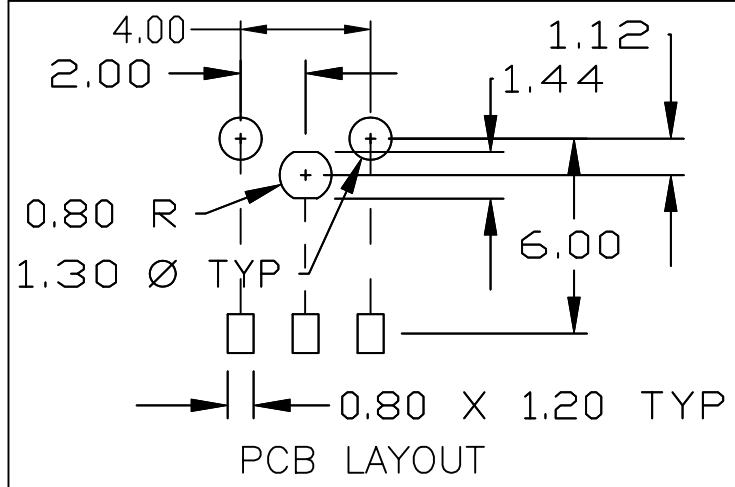
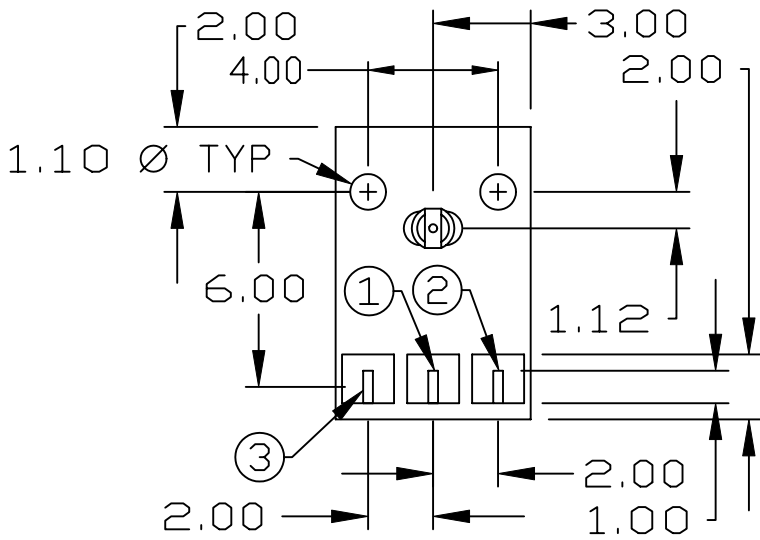
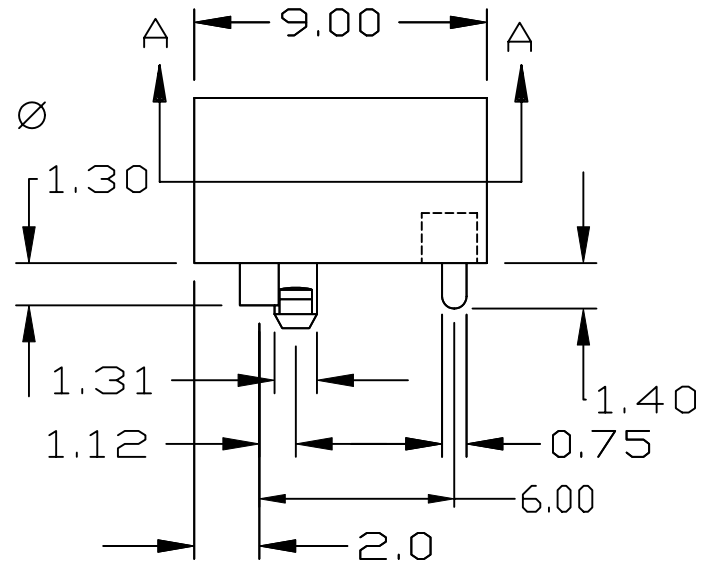
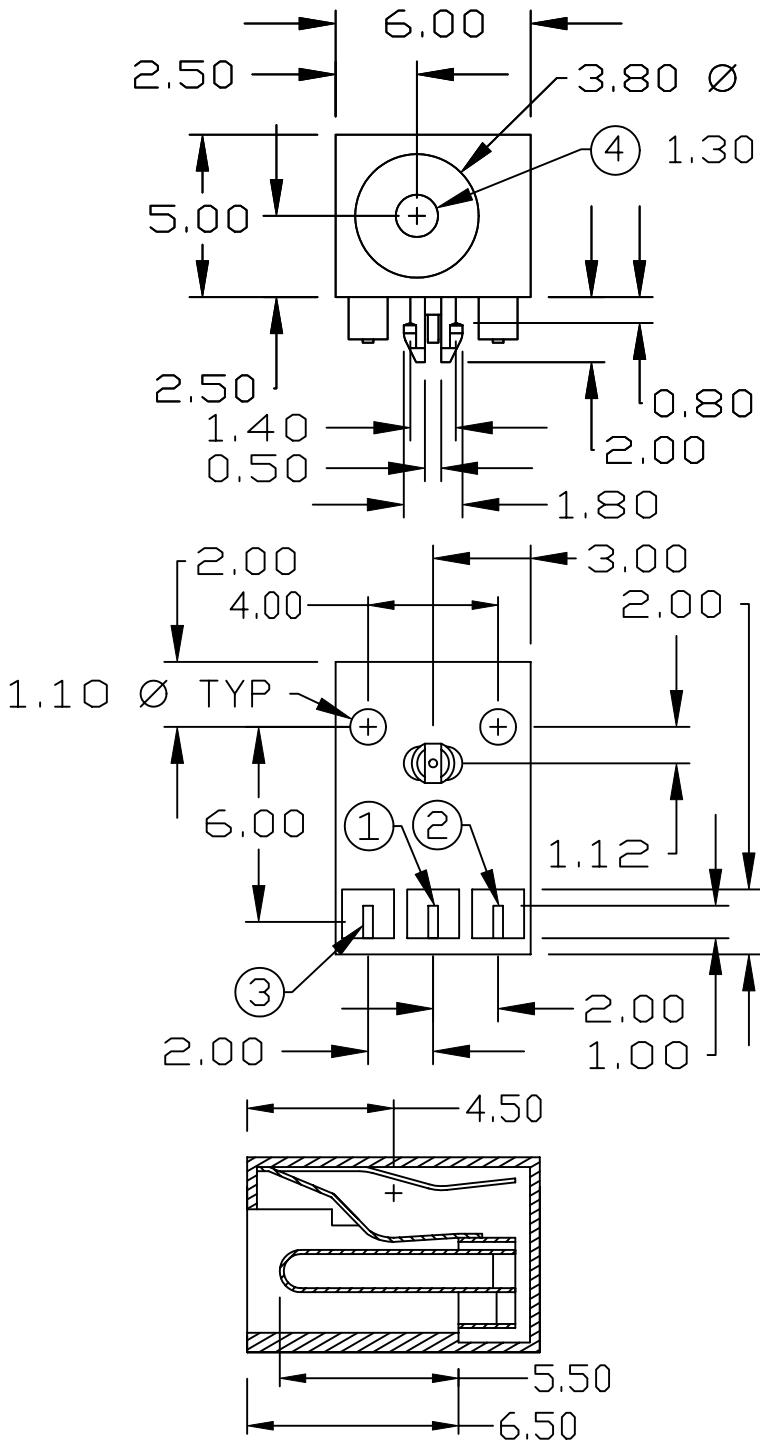


UNLESS OTHERWISE SPECIFIED, ALL DIMENSIONS ARE IN METRIC.

TO 1 DECIMAL PLACE  $\pm 0.3$   
 TO 2 DECIMAL PLACES  $\pm 0.12$   
 AS ANGLES  $\pm 1/2^\circ$

ISSUE	DATE
C	05/01/96
D	08/24/00



SECTION AA

5	HOUSING	1	PBT-10% GLASS, UL94V-0, BLACK
4	PIN	1	BRASS-SILVER PLATED
3	SLEEVE SHUNT	1	BRASS, SILVER PLATED 0.3T
2	SLEEVE TERMINAL	1	BeCu, SILVER PLATED 0.3T
1	PIN TERMINAL	1	BRASS, SILVER PLATED 0.3T
ITEM	DESCRIPTION	QTY	MATERIAL/FINISH



TITLE: POWER JACK		PART NO: SI-524	
DATE: 05/17/95	DRAWN: HV	CHKD:	SCALE: 4/1
		SHEET: 1 OF 2	

UNLESS OTHERWISE SPECIFIED, ALL DIMENSIONS ARE IN METRIC.

TO 1 DECIMAL PLACE ±  
TO 2 DECIMAL PLACES ±  
AS ANGLES ±

ISSUE	DATE
C	05/01/96
D	08/24/00

### SPECIFICATIONS

#### ELECTRICAL

CONTACT RATING:	1A AT 20VDC
CONTACT RESISTANCE:	30 MILLIOHMS MAX. AT 1A 20VDC
INSULATION RESISTANCE:	100 MEGOHMS MIN. AT 500VDC
DIELECTRIC STRENGTH:	500VAC FOR 1 MINUTE

#### MECHANICAL

INSERTION FORCE:	0.5 KG - 2.0 KG
WITHDRAWAL FORCE:	0.5 KG - 2.0 KG
OPERATING LIFE:	12,000 CYCLES

#### ENVIRONMENTAL

STORAGE TEMPERATURE RANGE:	-40°C TO 85°C
OPERATING TEMPERATURE RANGE:	-40°C TO 85°C
HUMIDITY RANGE:	10% RH TO 80% RH

#### PLATING:

3.5 MICRON (138 MICROINCHES) MIN. SILVER OVER  
2.0 MICRON (79 MICROINCHES) MIN. COPPER STRIKE.

#### SOLDERABILITY

95% WETTING MIN. AFTER 5 SECONDS DIP IN 230°C SOLDER

#### TAPE REEL PACKAGING

WIDTH:	24MM
PITCH:	12MM
REEL DIAMETER:	360MM



TITLE: POWER JACK		PART NO: SI-524	
DATE: 05/17/95	DRAWN: HV	CHKD:	SCALE: SHEET: 2 OF 2