

1

2

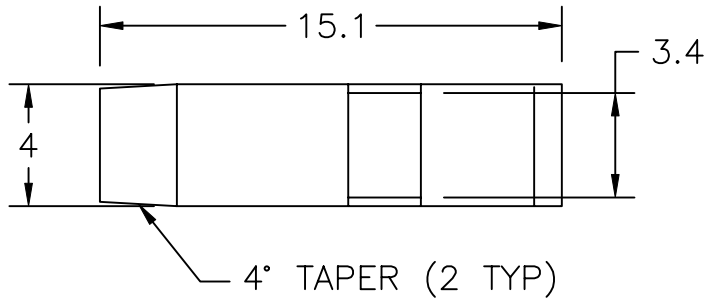
3

4

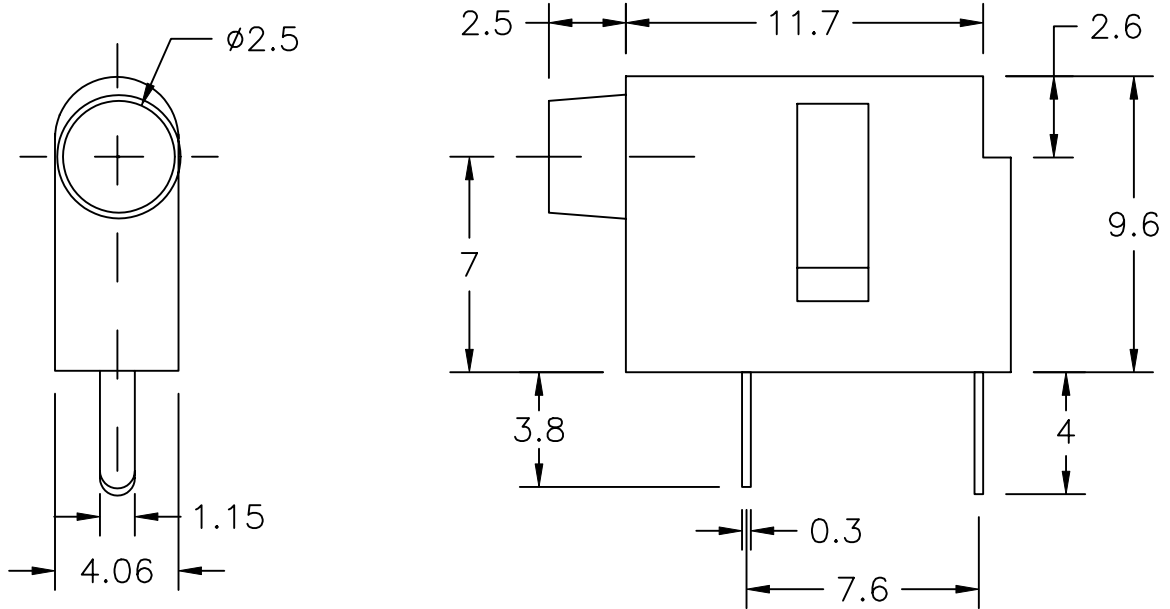
COMPONENT SPECIFICATION

USE OR REPRODUCTION OF THIS DRAWING FOR THE PURPOSE OF MANUFACTURING THIS ARTICLE OR ANY ARTICLES SHOWN FOR ANY PURPOSE IS STRICTLY PROHIBITED WITHOUT WRITTEN PERMISSION FROM SENIOR INDUSTRIES, INC.

A

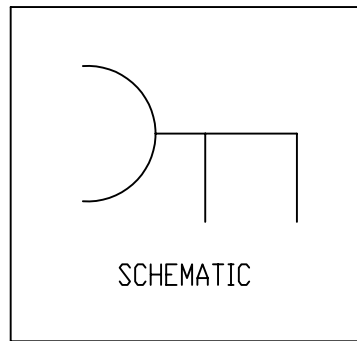


B



C

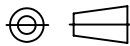
D



E

DESIGNED:			SYM.	DATE:	DESCRIPTION OF REVISIONS:	DRAWN	APPD.
DRAWN:	GAT	06/05/06	Δ	06.05.06	NEW	GAT	JF
CHECKED:	GAT	06/05/06	Δ	.			
APPROVED:	JF	06/12/06	Δ	.			

3RD ANGLE



UNIT:

mm

SCALE:

4:1

REV.

A



SENIOR INDUSTRIES, INC.

TOLERANCE:

TO 1 DECIMAL PLACE:	$\pm .3$
TO 2 DECIMAL PLACES:	$\pm .13$
AS ANGLES:	$\pm 1/2^\circ$

PART NO:

SI-526SH-X

TITLE:

TIP JACK

SHEET:

1 OF 2

1

2

3

4

COMPONENT SPECIFICATION

USE OR REPRODUCTION OF THIS DRAWING FOR THE PURPOSE OF MANUFACTURING THIS ARTICLE OR ANY ARTICLES SHOWN FOR ANY PURPOSE IS STRICTLY PROHIBITED WITHOUT WRITTEN PERMISSION FROM SENIOR INDUSTRIES, INC.

SPECIFICATIONS

ELECTRICAL:

CONTACT RATING: 6.3 AMPS
CONTACT RESISTANCE: 30 MILLIOHMS MAX.
INSULATION RESISTANCE: 10,000 MEGAOHMS MIN. AT 500 VDC

MECHANICAL:

HOUSING: POLYCARBONATE, UL94V-0
TERMINAL: PHOSPHOR BRONZE
PLATING: 30 μIN GOLD OVER 50 μIN NICKEL
WITHDRAWAL FORCE: 0.2 Kg MIN.

ENVIRONMENT:

OPERATING TEMPERATURE: -40°C TO 85°C

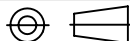
NOTE:

"X" IN PART NUMBER DENOTES COLOR OF HOUSING:

- 1 = BLUE
- 2 = RED
- 3 = BLACK (STD)
- 4 = BROWN
- 5 = GREEN
- 6 = WHITE
- 7 = GRAY
- 8 = ORANGE
- 9 = YELLOW
- 10 = VIOLET
- 11 = IVORY/NEUTRAL

DESIGNED:			SYM.	DATE:	DESCRIPTION OF REVISIONS:	DRAWN	APPD.
DRAWN:	GAT	06/05/06	△	06.05.06	NEW	GAT	JF
CHECKED:	GAT	06/05/06	△	. .			
APPROVED:	JF	06/12/06	△	. .			

3RD ANGLE



UNIT:

mm

SCALE:

REV.

A



SENIOR INDUSTRIES, INC.

TOLERANCE:

TO 1 DECIMAL PLACE:	±.3
TO 2 DECIMAL PLACES:	±.13
AS ANGLES:	±1/2°

PART NO:

SI-526SH-X

TITLE:

TIP JACK

SHEET:

2 OF 2