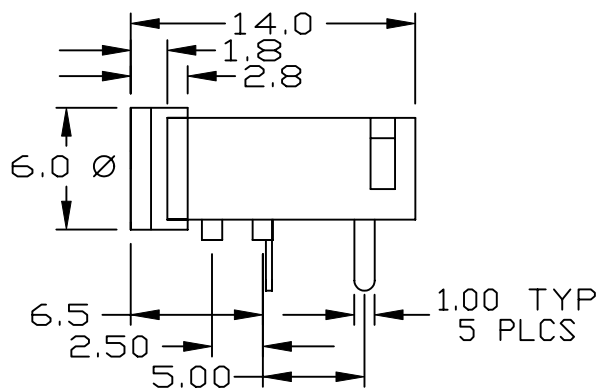
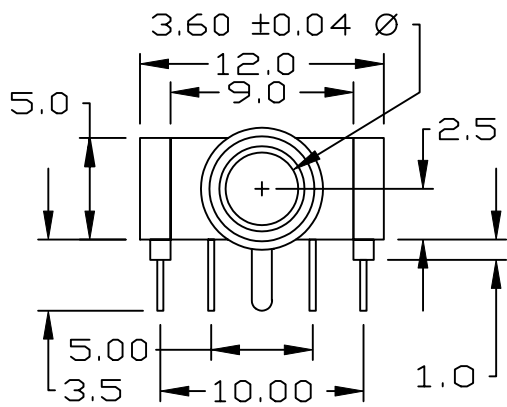


1 | 2 | 3 | 4

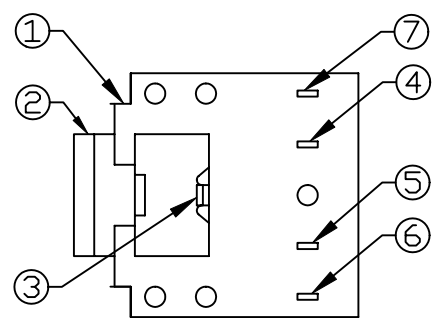
COMPONENT SPECIFICATION

USE OR REPRODUCTION OF THIS DRAWING FOR THE PURPOSE OF MANUFACTURING THIS ARTICLE OR ANY ARTICLES SHOWN FOR ANY PURPOSE IS STRICTLY PROHIBITED WITHOUT WRITTEN PERMISSION FROM SENIOR INDUSTRIES, INC.

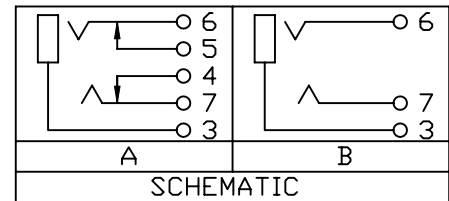
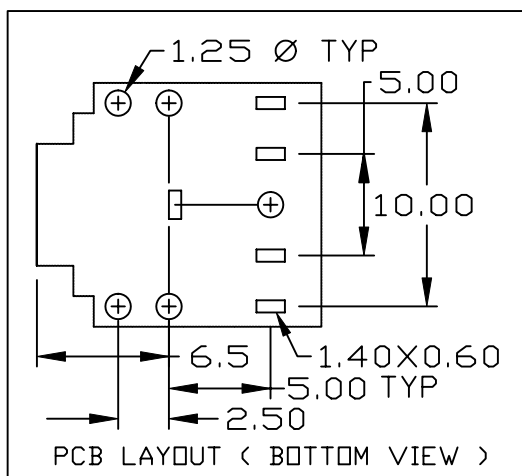
A



B



C



D

7	TIP	PHOSPHOR BRONZE - SILVER PLATED
6	RING	PHOSPHOR BRONZE - SILVER PLATED
5	SHUNT TERMINAL-A	BRASS - SILVER PLATED
4	SHUNT TERMINAL-B	BRASS - SILVER PLATED
3	SLEEVE	PHOSPHOR BRONZE - SILVER PLATED
2	BUSHING	BRASS - NICKEL PLATED
1	HOUSING	POM - BLACK
ITEM	DESCRIPTION	MATERIAL/FINISH

RoHS COMPLIANT

E

DESIGNED:			SYM.	DATE:	DESCRIPTION OF REVISIONS:	DRAWN	APPD.
DRAWN:	HV	03/11/97	▲	04.03.97	NEW	HV	JF
CHECKED:	GAT	01/19/07	▲	07.28.98	-	HV	JF
APPROVED:	JF	01/22/07	▲	04.13.06	Showed the correct pins for 4&5 no. on bottom view of part	GAT	JF
			▲	01.19.07	'RoHS compliant' note added	GAT	JF

3RD ANGLE		UNIT:	mm	SCALE:	3:1	REV.	D
-----------	--	-------	----	--------	-----	------	---



TOLERANCE:	PART NO:
TO 1 DECIMAL PLACE: ±.3	SI-538X
TO 2 DECIMAL PLACES: ±.13	TITLE:
AS ANGLES: ±1/2°	AUDIO JACK
SHEET:	1 OF 2

COMPONENT SPECIFICATION

USE OR REPRODUCTION OF THIS DRAWING FOR THE PURPOSE OF MANUFACTURING THIS ARTICLE OR ANY ARTICLES SHOWN FOR ANY PURPOSE IS STRICTLY PROHIBITED WITHOUT WRITTEN PERMISSION FROM SENIOR INDUSTRIES, INC.

SPECIFICATIONS

ELECTRICAL:

CONTACT RESISTANCE: 30 MILLIOHMS MAX.
 INSULATION RESISTANCE: 100 MEGOHMS MIN. AT 500 VDC
 DIELECTRIC STRENGTH: 500 VAC FOR 60 SECONDS

MECHANICAL:

INSERTION FORCE: 0.3 TO 2.0 Kg
 WITHDRAWAL FORCE: 0.3 TO 2.0 Kg
 LIFE: 5000 CYCLES

NOTE:

THE "X" IN PART NUMBER DENOTES SCHEMATIC.

RoHS COMPLIANT

DESIGNED:			SYM.	DATE:	DESCRIPTION OF REVISIONS:	DRAWN	APPD.
DRAWN:	HV	03/11/97	△	04.03.97	NEW	HV	JF
CHECKED:	GAT	01/19/07	△	07.28.98	-	HV	JF
APPROVED:	JF	01/22/07	△	04.13.06	Showed the correct pins for 4&5 no. on bottom view of part	GAT	JF
			△	01.19.07	'RoHS compliant' note added	GAT	JF

3RD ANGLE		UNIT:	mm	SCALE:		REV.	D
-----------	--	-------	----	--------	--	------	---



TOLERANCE:		PART NO:
TO 1 DECIMAL PLACE:	±	SI-538X
TO 2 DECIMAL PLACES:	±	TITLE:
AS ANGLES:	± °	AUDIO JACK
SHEET:		2 OF 2