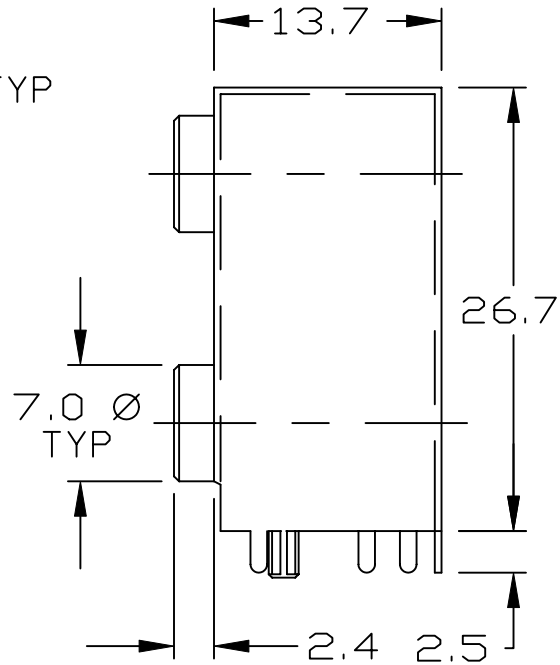
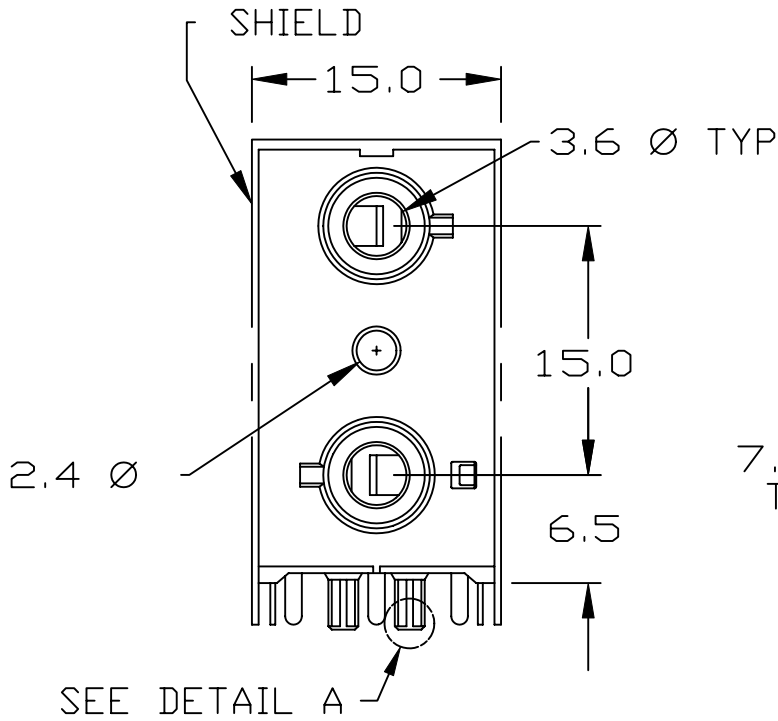


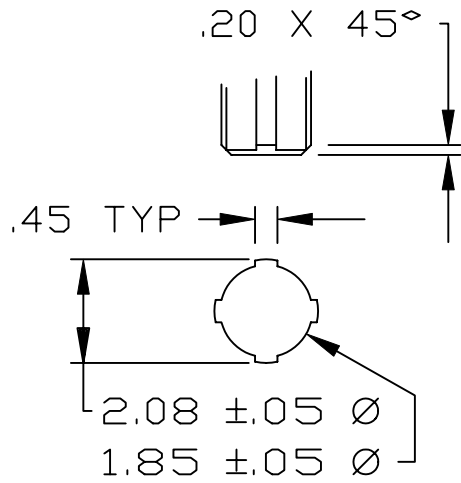
UNLESS OTHERWISE SPECIFIED, ALL DIMENSIONS ARE IN METRIC.

TO 1 DECIMAL PLACE ±.3  
 TO 2 DECIMAL PLACES ±.12  
 AS ANGLES ±

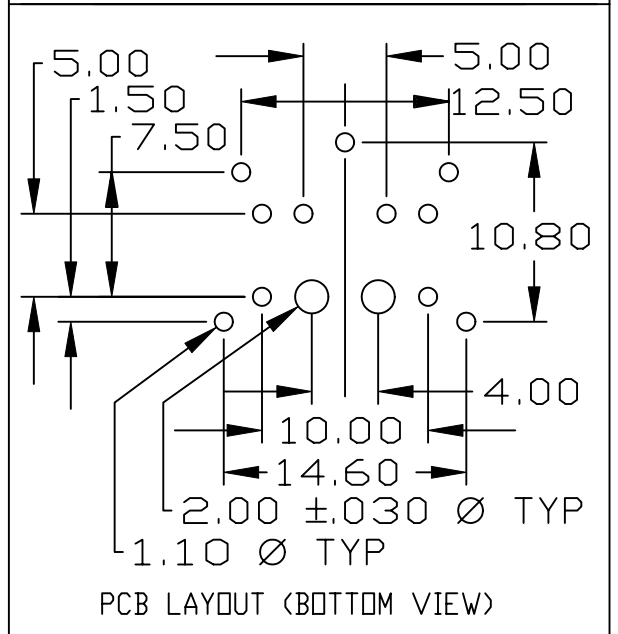
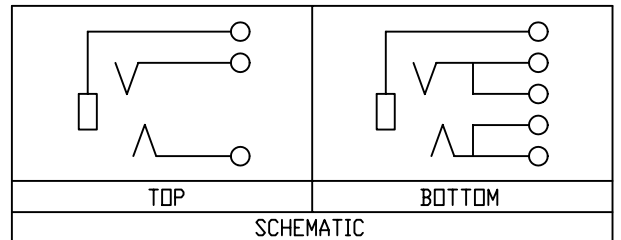
ISSUE	DATE
C	10/15/97
D	04/29/98
E	06/23/98
F	05/03/06



SEE DETAIL A



DETAIL A TYP 2 PLCS



PCB LAYOUT (BOTTOM VIEW)

ITEM	DESCRIPTION	MATERIAL/FINISH
7	SHIELD	BRASS - TIN PLATED
6	SLEEVE	PHOSPHOR BRONZE - SILVER PLATED
5	RING SHUNT	BRASS - SILVER PLATED
4	TIP SHUNT	BRASS - SILVER PLATED
3	RING SPRING	PHOSPHOR BRONZE - SILVER PLATED
2	TIP SPRING	PHOSPHOR BRONZE - SILVER PLATED
1	HOUSING	ZYTEL FR52 NYLON, UL94V-0, BLACK



TITLE: DUAL AUDIO JACK		PART NO: SI-542S	
DATE: 09/12/97	DRAWN: HV	CHKD:	SCALE: 2/1
		SHEET: 1 OF 2	

UNLESS OTHERWISE SPECIFIED, ALL DIMENSIONS ARE IN METRIC.

TO 1 DECIMAL PLACE ±  
TO 2 DECIMAL PLACES ±  
AS ANGLES ±

ISSUE	DATE
C	10/15/97
D	04/29/98
E	06/23/98
F	05/03/06

## SPECIFICATIONS

### ELECTRICAL:

CONTACT RESISTANCE: 30 MILLIOHMS MAX.  
INSULATION RESISTANCE: 100 MEGOHMS MIN. @ 500 VDC  
DIELECTRIC STRENGTH: 500 VAC

### MECHANICAL:

INSERTION FORCE: 0.3 TO 3.0 Kg  
WITHDRAWAL FORCE: 1.0 TO 3.0 Kg  
LIFE: 5000 CYCLES



TITLE:

DUAL AUDIO JACK

PART NO:

SI-542S

DATE:

09/12/97

DRAWN:

HV

CHKD:

SCALE:

SHEET:

2 OF 2