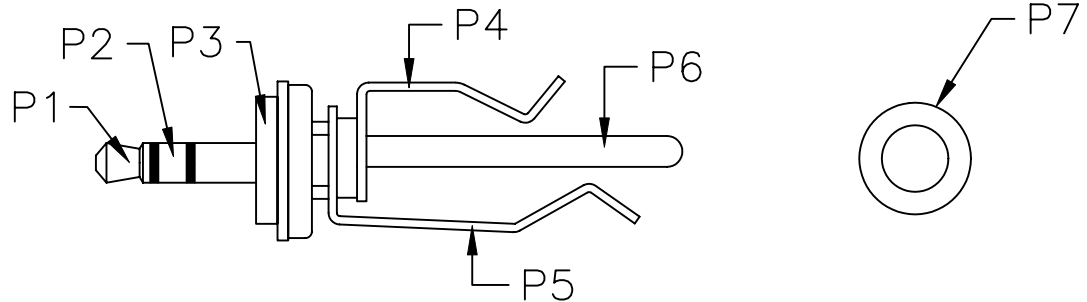
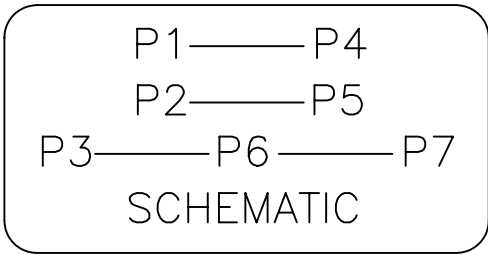
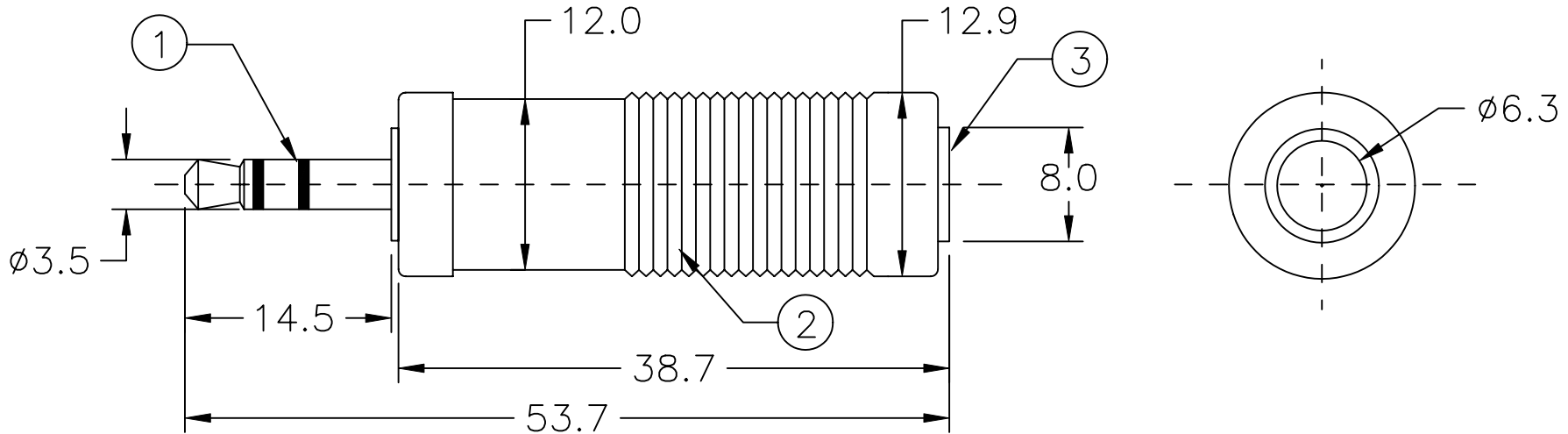


COMPONENT SPECIFICATION

USE OR REPRODUCTION OF THIS DRAWING FOR THE PURPOSE OF MANUFACTURING THIS ARTICLE OR ANY ARTICLES SHOWN FOR ANY PURPOSE IS STRICTLY PROHIBITED WITHOUT WRITTEN PERMISSION FROM SENIOR INDUSTRIES, INC.



ITEM	DESCRIPTION	QT'Y	MATERIAL/FINISH
1	ø3.5mm STEREO PLUG	1	BRASS, NICKEL PLATED
2	MOLDED HOOD	1	PVC, BLACK
3	ø6.3mm STEREO JACK	1	BRASS; NICKEL PLATED



DESIGNED:			SYM:	DATE:	DESCRIPTION OF REVISIONS:	DRAWN:	APPD:	TOLERANCE:	PART NO:	SI-558	
DRAWN:	GAT	04/04/07	△	04.04.07	NEW	GAT	JF				
CHECKED:	GAT	04/04/07	△	.	.			TO 1 DECIMAL PLACE: ±.3	TITLE:	3.5mm MALE STEREO PLUG TO 1/4" STEREO PHONE JACK	
APPROVED:	JF	04/04/07	△	.	.			TO 2 DECIMAL PLACES: ±.12			
3RD ANGLE		UNIT:	mm	SCALE:	1:1	REV.	A	AS ANGLES:	±1/2°	SHEET:	1 OF 1