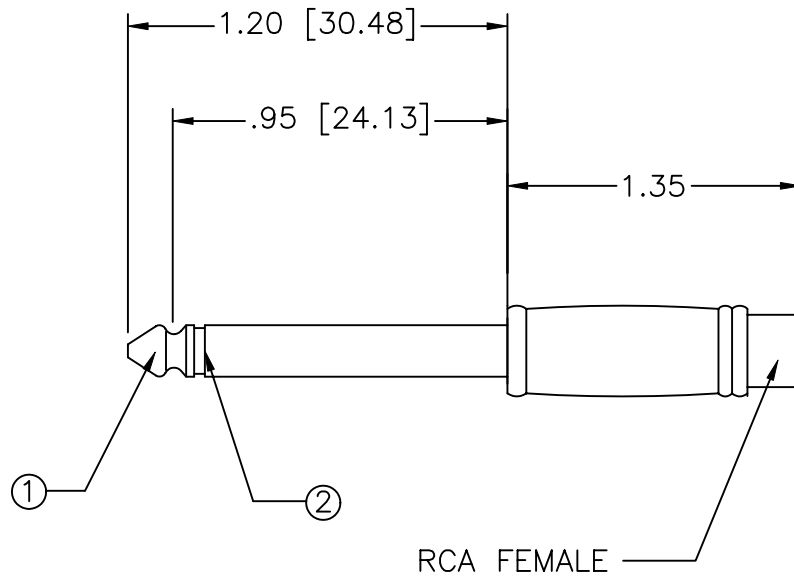


USE OR REPRODUCTION OF THIS DRAWING FOR THE PURPOSE OF MANUFACTURING THIS ARTICLE OR ANY ARTICLES SHOWN FOR ANY PURPOSE IS STRICTLY PROHIBITED WITHOUT WRITTEN PERMISSION FROM SENIOR INDUSTRIES, INC.

CUSTOMER SPECIFICATION DRAWING



ITEM NO.	DESCRIPTION	MATERIAL/FINISH
1	TIP	BRASS, NICKEL PLATED
2	INSULATOR	PVC



TITLE:
 1/4" PLUG TO RCA ADAPTER

PART NO:
 SI-561

DATE:
 11/25/02

DRAWN:
 RB

REV:
 A

SCALE:
 N/A

SHEET:
 1 OF 1