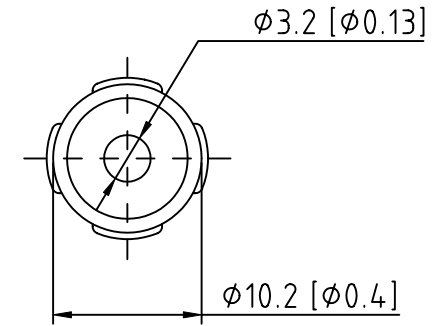
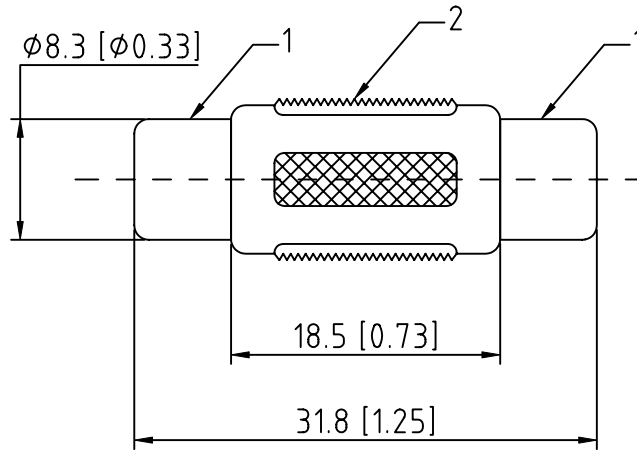
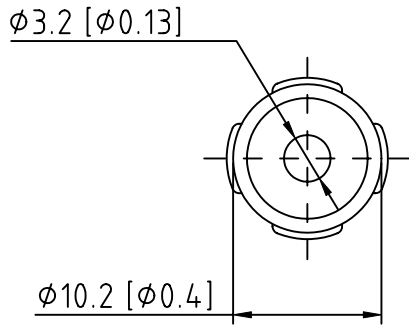


COMPONENT SPECIFICATION

USE OR REPRODUCTION OF THIS DRAWING FOR THE PURPOSE OF MANUFACTURING THIS ARTICLE OR ANY ARTICLES SHOWN FOR ANY PURPOSE IS STRICTLY PROHIBITED WITHOUT WRITTEN PERMISSION FROM SENIOR INDUSTRIES, INC.



ITEM	DESCRIPTION	QT'Y	MATERIAL/FINISH
1	RCA JACK	2	BRASS, NICKEL PLATED
2	HOOD	1	MOLDED PP, BLACK



**SENIOR INDUSTRIES, INC.**

DESIGNED:			SYM.	DATE:	DESCRIPTION OF REVISIONS:	DRAWN:	APPD:	TOLERANCE:	PART NO:	SI-562
DRAWN:	GAT	07/31/06		07.31.06	NEW	GAT	JF			
CHECKED:	GAT	07/31/06		.				TO 1 DECIMAL PLACE: $\pm 0.2$	TITLE:	AUDIO ADAPTER
APPROVED:	JF	07/31/06		.				TO 2 DECIMAL PLACES: $\pm 0.10$		
3RD ANGLE		UNIT:	mm	SCALE:	2:1	REV.	A	AS ANGLES:	SHEET:	1 OF 1