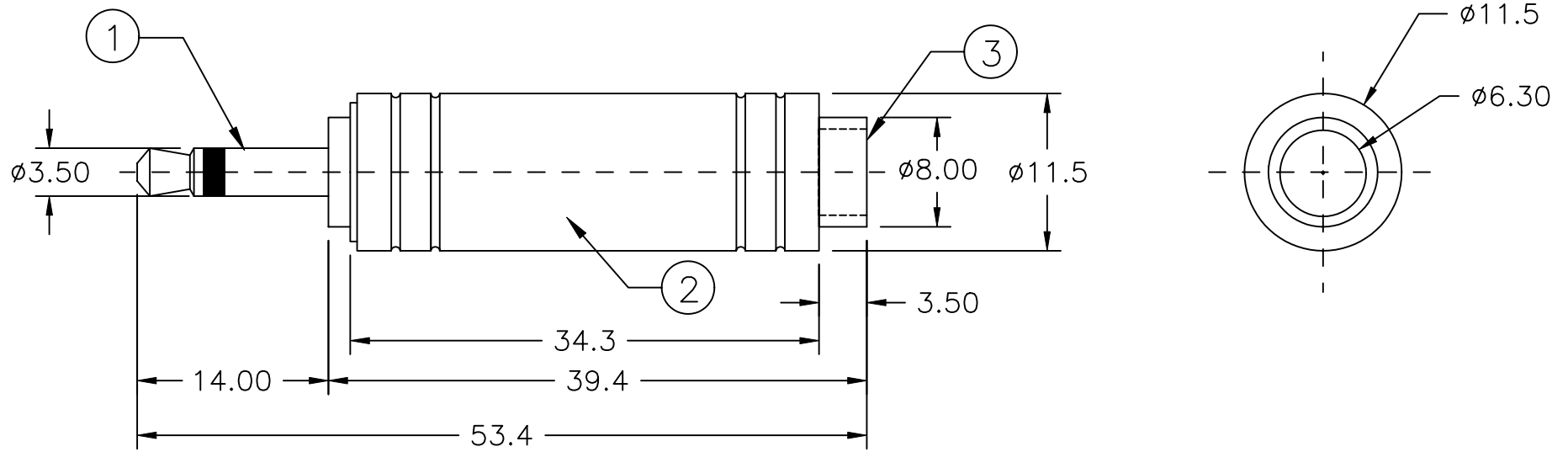


COMPONENT SPECIFICATION

USE OR REPRODUCTION OF THIS DRAWING FOR THE PURPOSE OF MANUFACTURING THIS ARTICLE OR ANY ARTICLES SHOWN FOR ANY PURPOSE IS STRICTLY PROHIBITED WITHOUT WRITTEN PERMISSION FROM SENIOR INDUSTRIES, INC.



ITEM	DESCRIPTION	QT'Y	MATERIAL/FINISH
1	ø3.5mm MONO PLUG	1	BRASS, NICKEL PLATED
2	HOOD ASS'Y	1	BRASS, NICKEL PLATED
3	ø6.3mm MONO (STEREO) JACK	1	BRASS; NICKEL PLATED



SENIOR INDUSTRIES, INC.

DESIGNED:			SYM:	DATE:	DESCRIPTION OF REVISIONS:	DRAWN:	APPD:	TOLERANCE:	PART NO:	SI-564
DRAWN:	GAT	04/03/07	△	04.03.07	NEW	GAT	JF	TO 1 DECIMAL PLACE: ±.3	TITLE:	3.5mm PHONE PLUG TO 1/4" PHONE JACK
CHECKED:	GAT	02/25/09	△	02.25.09	New design	GAT	JF			
APPROVED:	JF	02/25/09	△	.	.			AS ANGLES: ±1/2°	SHEET:	1 OF 1
3RD ANGLE			UNIT:	mm	SCALE:	1:1	REV.	B		