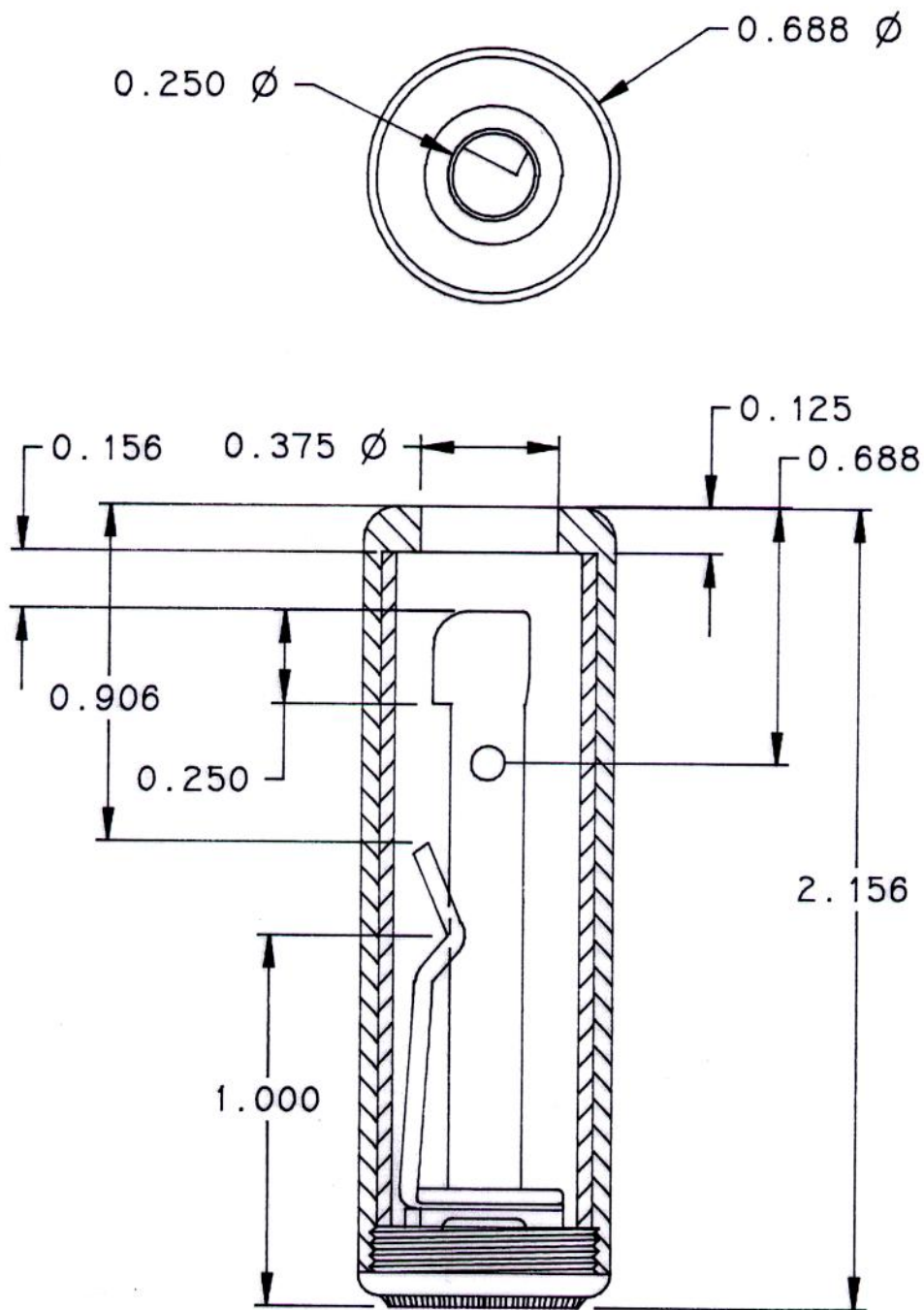


UNLESS OTHERWISE SPECIFIED, ALL DIMENSIONS ARE IN INCHES.

TO 2 DECIMAL PLACES $\pm .01$
TO 3 DECIMAL PLACES $\pm .005$
AS ANGLES $\pm 1/2^\circ$

ISSUE	DATE
A	09/06/00
B	12/26/00



**SENIOR
INDUSTRIES, INC.**

TITLE:

PHONE JACK

PART NO:

SI-568

DATE:

09/06/00

DRAWN:

HV

CHKD:

SCALE:

2/1

SHEET:

1 OF 1