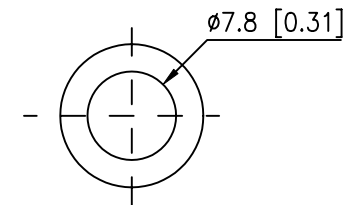
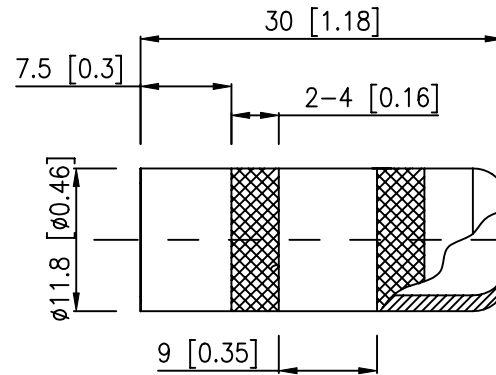
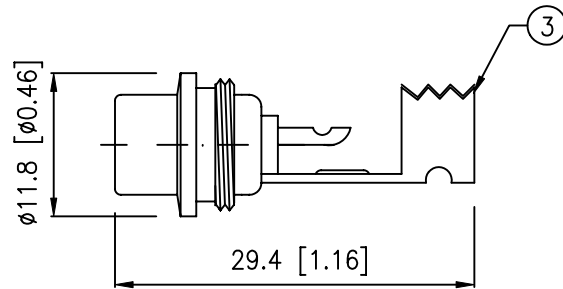
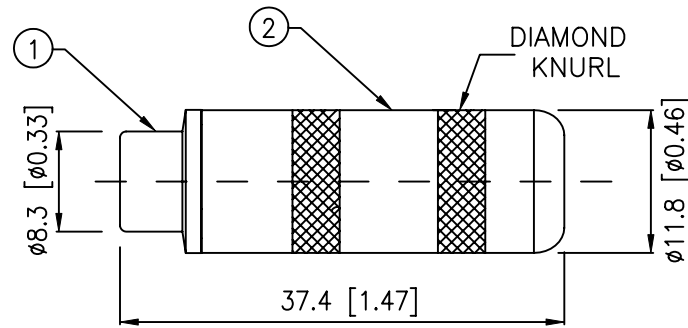


COMPONENT SPECIFICATION

USE OR REPRODUCTION OF THIS DRAWING FOR THE PURPOSE OF MANUFACTURING THIS ARTICLE OR ANY ARTICLES SHOWN FOR ANY PURPOSE IS STRICTLY PROHIBITED WITHOUT WRITTEN PERMISSION FROM SENIOR INDUSTRIES, INC.



ITEM	DESCRIPTION	QTY	MATERIAL/FINISH
1	BODY	1	BRASS, NICKEL PLATED
2	CAP	1	BRASS, NICKEL PLATED
3	TERMINALS	1	BRASS, TIN PLATED



DESIGNED:			SYM.	DATE:	DESCRIPTION OF REVISIONS:	DRAWN:	APPD:	TOLERANCE:	PART NO:	SI-569	
DRAWN:	GAT	05/19/05	▲	05.19.05	NEW	GAT					
CHECKED:			▲	.	.			TO 1 DECIMAL PLACE: ±.3[.01]	TITLE:	FEMALE RCA CONNECTOR	
APPROVED:			▲	.	.			TO 2 DECIMAL PLACES: ±			
3RD ANGLE		UNIT:	mm[IN]	SCALE:	1:1	REV:	A	AS ANGLES:	±1/2'	SHEET:	1 OF 1