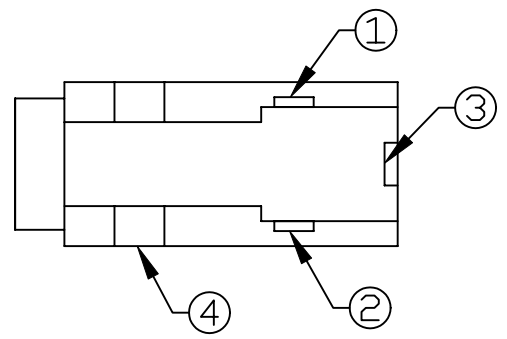
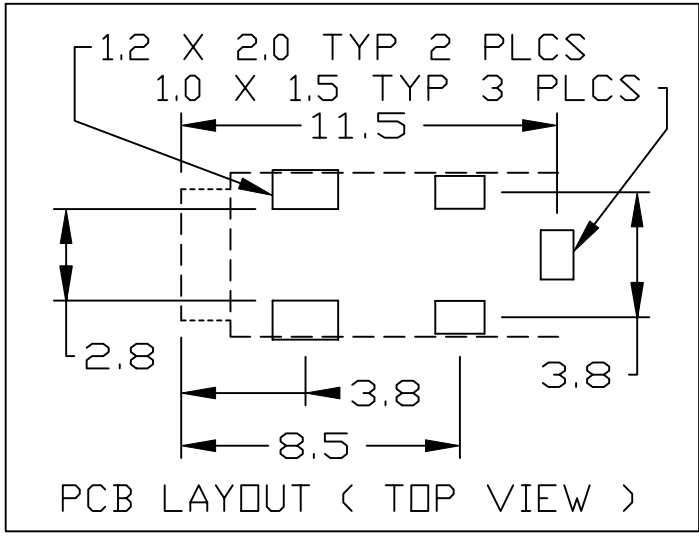
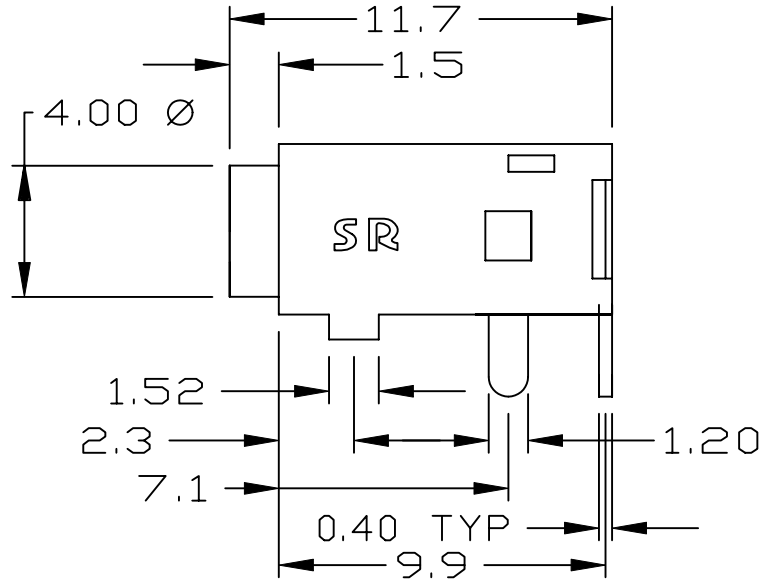
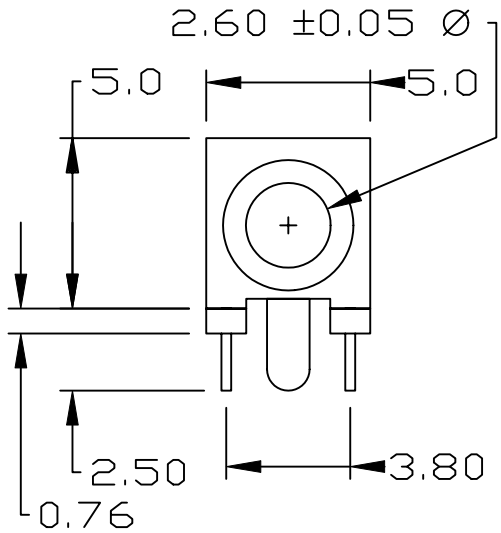


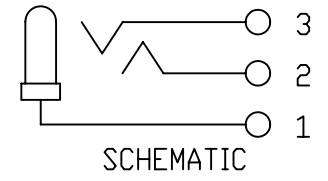
UNLESS OTHERWISE SPECIFIED, ALL DIMENSIONS ARE IN METRIC.

TO 1 DECIMAL PLACE ±.3
 TO 2 DECIMAL PLACES ±.12
 AS ANGLES ±

ISSUE	DATE
A	02/18/97
B	03/06/97
C	12/05/97



ITEM	DESCRIPTION	MATERIAL/FINISH
4	HOUSING	PBT - 18% GLASS - BLACK, UL94V-0
3	TIP SPRING	PHOSPHOR BRONZE - SILVER PLATED
2	RING SPRING	PHOSPHOR BRONZE - SILVER PLATED
1	SLEEVE TERMINAL	BRASS - SILVER PLATED



TITLE: AUDIO JACK		PART NO: SI-571	
DATE: 02/11/97	DRAWN: HV	CHKD:	SCALE: 4/1
		SHEET: 1 OF 2	

UNLESS OTHERWISE SPECIFIED, ALL DIMENSIONS ARE IN METRIC.

TO 1 DECIMAL PLACE ±
TO 2 DECIMAL PLACES ±
AS ANGLES ±

ISSUE	DATE
A	02/18/97
B	03/06/97
C	05/23/97

SPECIFICATIONS

ELECTRICAL

CONTACT RESISTANCE: 30 MILLIOHMS MAX.
INSULATION RESISTANCE: 100 MEGOHMS MIN. AT 500 VDC
DIELECTRIC STRENGTH: 500 VAC FOR 1 MINUTE

MECHANICAL:

INSERTION FORCE: 0.3 - 2.0 Kg
WITHDRAWAL FORCE: 0.3 - 2.0 Kg
LIFE: 5000 CYCLES



TITLE: AUDIO JACK		PART NO: SI-571		
DATE: 02/11/97	DRAWN: HV	CHKD:	SCALE:	SHEET: 2 OF 2