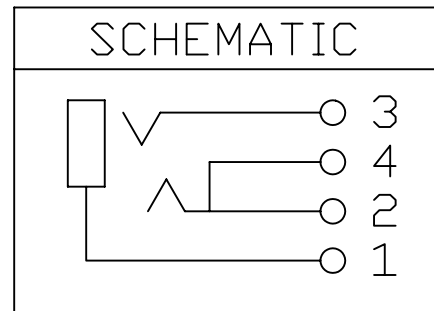
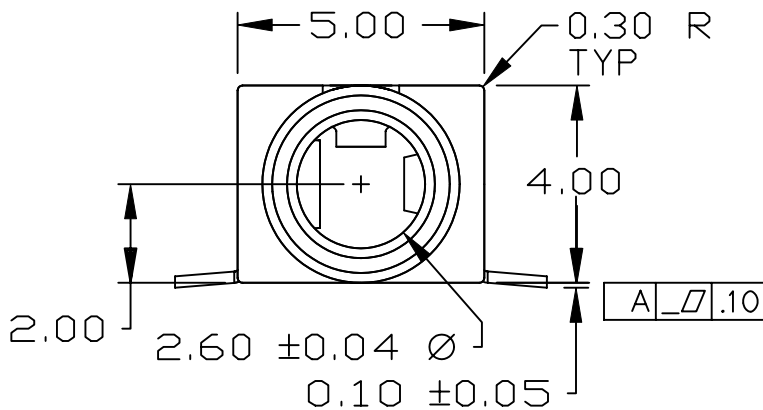
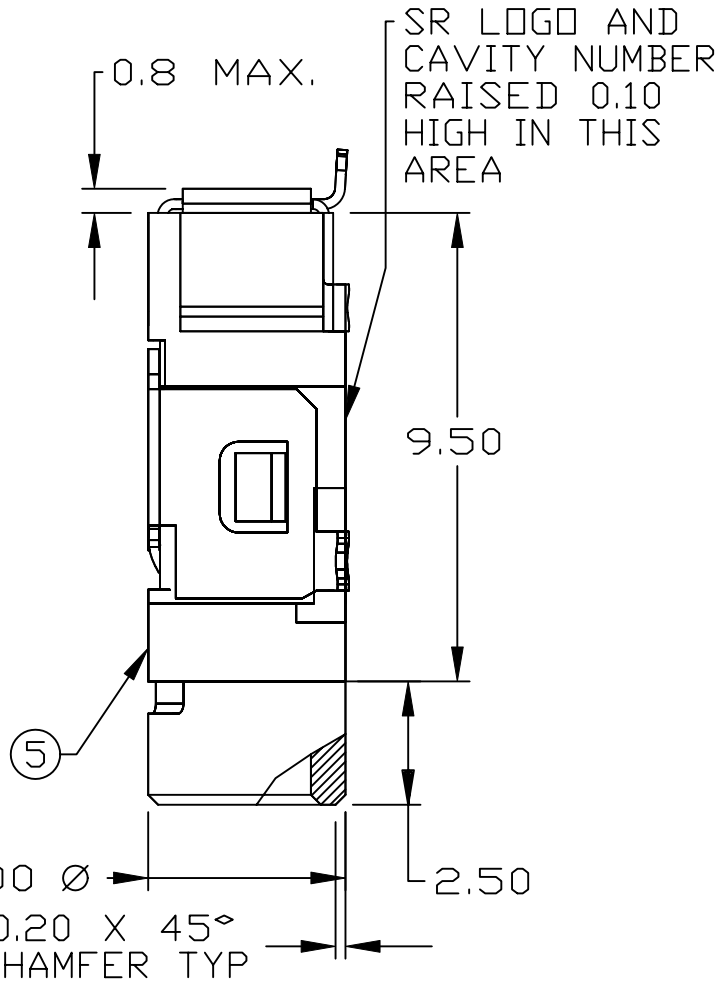
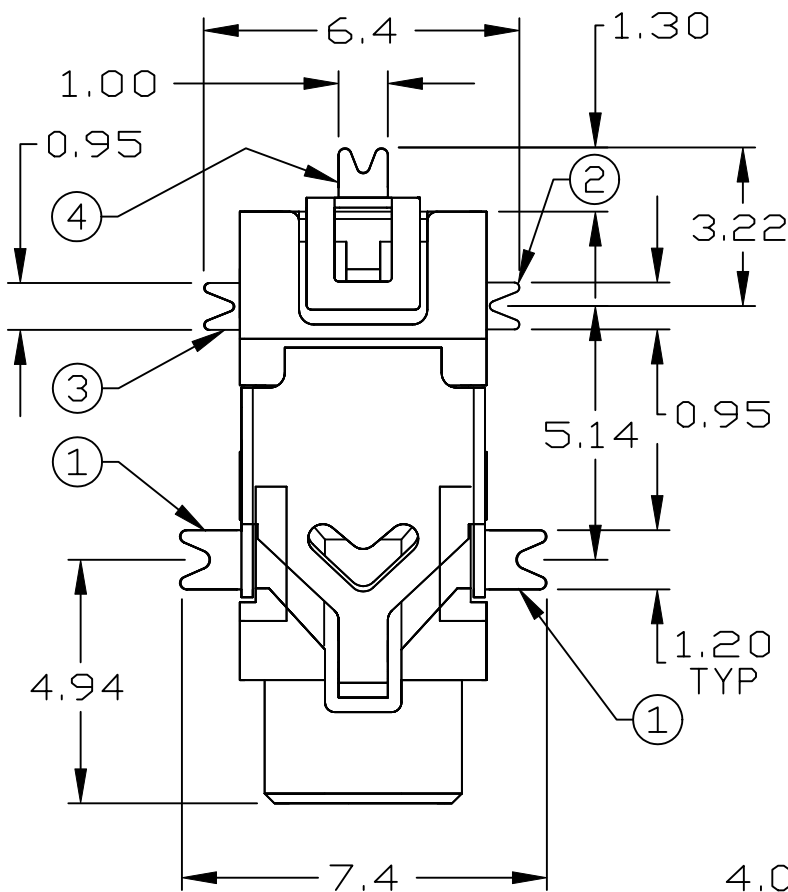


UNLESS OTHERWISE SPECIFIED, ALL DIMENSIONS ARE IN METRIC.

TO 1 DECIMAL PLACE ±.3
 TO 2 DECIMAL PLACES ±.10
 AS ANGLES ±

| | |
|-------|----------|
| ISSUE | DATE |
| A | 03/06/99 |



| ITEM | DESCRIPTION | QTY | MATERIAL/FINISH |
|------|-----------------|-----|---|
| 5 | HOUSING | 1 | POLYIMIDE NY-46, UL94V-0 RATED, BLACK |
| 4 | TIP SHUNT | 1 | .20MM CuAl ALLOY, GOLD OVER NICKEL PLATED |
| 3 | RING SPRING | 1 | .25MM BeCu ALLOY, GOLD OVER NICKEL PLATED |
| 2 | TIP SPRING | 1 | .25MM BeCu ALLOY, GOLD OVER NICKEL PLATED |
| 1 | SLEEVE TERMINAL | 1 | .23MM BeCu ALLOY, GOLD OVER NICKEL PLATED |



| | | | |
|----------------------|--------------|--------------------|---------------|
| TITLE: AUDIO JACK | | PART NO: SI-575 | |
| DATE: 12/05/98 | DRAWN: HV | CHKD: | SCALE: 6/1 |
| | | SHEET: 1 OF 2 | |

UNLESS OTHERWISE SPECIFIED, ALL DIMENSIONS ARE IN METRIC.

TO 1 DECIMAL PLACE ±
TO 2 DECIMAL PLACES ±
AS ANGLES ±

| | |
|-------|----------|
| ISSUE | DATE |
| A | 01/25/99 |

SPECIFICATIONS

ELECTRICAL

CONTACT RATING: 1A AT 12 VDC
 CONTACT RESISTANCE: 30 MILLIOHMS MAX.
 INSULATION RESISTANCE: 100 MEGOHMS MIN. AT 500 VDC
 DIELECTRIC STRENGTH: 500 VRMS FOR 1 MINUTE

MECHANICAL

INSERTION FORCE: 700-3000 GRAMS
 WITHDRAWAL FORCE: 700-3000 GRAMS
 OPERATING LIFE: 6,000 CYCLES
 CONTACT RETENTION FORCE: 80 GRAMS
 CONTACT PLATING: 0.0762-0.254 MIN. MICRONS GOLD OVER
 1.27 MIN. MICRONS NICKEL
 SOLDERABILITY: 95% WETTING MIN. AFTER 5 SECONDS DIP IN
 230 ° C SOLDER

ENVIRONMENTAL

STORAGE TEMPERATURE RANGE: -40° C TO +100° C
 OPERATING TEMPERATURE RANGE: -40° C TO +85° C
 PART SHALL WITHSTAND REFLOW SOLDER TEMPERATURE OF 240° C
 FOR 10 SECONDS

TAPE REEL PACKAGING:

WIDTH: 24MM
 PITCH: 12MM
 ORIENTATION: JACK OPENING FACING SIDE WITH SPROCKET HOLES
 REEL DIAMETER: 382MM

QUALIFICATION REQUIREMENTS

TEMPERATURE SHOCK: -40°C TO +85°C, 32 CYCLES, 30
 MINUTES DWELL, 20 SEC. MAX. TRANSITION
 STATIC HUMIDITY: 70°C, 90 TO 95% RH FOR 240 HOURS
 VIBRATION:
 RANDOM: 6 G'S, 10-2000 Hz, 0.04G ²/Hz, 15 MINUTES
 PER PLANE, MAX. OF 1 MICROSECOND DISCONTINUITY
 SINUSOIDAL: 15 G'S, 10-60 Hz, 30 MINUTES PER PLANE,
 MAX. OF 1 MICROSECOND DISCONTINUITY
 MECHANICAL SHOCK: 3000 G'S, 1/2 SINE PULSE, .3 MILLI-
 SECONDS, 3 SHOCKS PER PLANE (18 SHOCKS TOTAL), MAX.
 OF 1 MICROSECOND DISCONTINUITY



| | | | |
|----------------------|---------------|--------------------|----------------------------|
| TITLE: AUDIO JACK | | PART NO: SI-575 | |
| DATE: 12/05/98 | DRAWN: H V | CHKD: | SCALE: SHEET: 2 OF 2 |