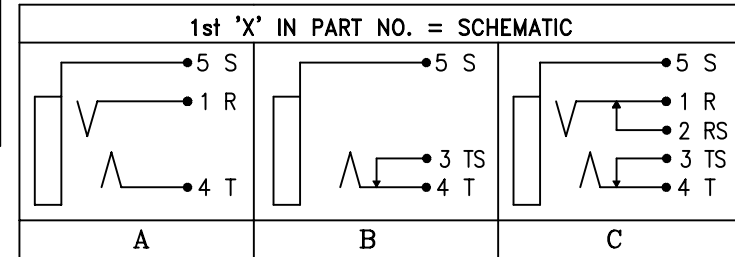
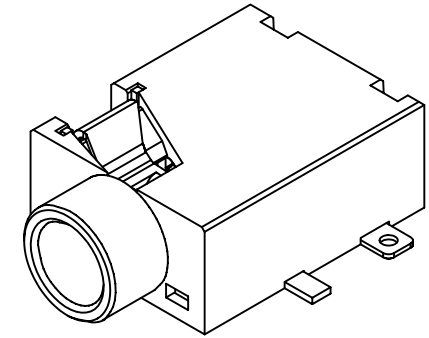
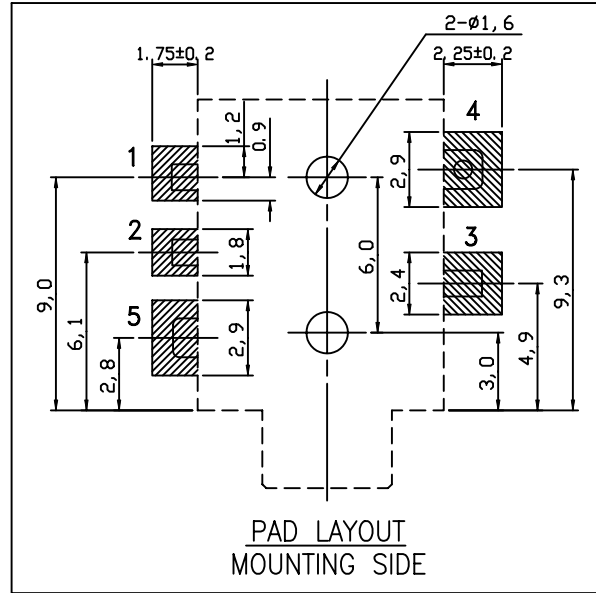
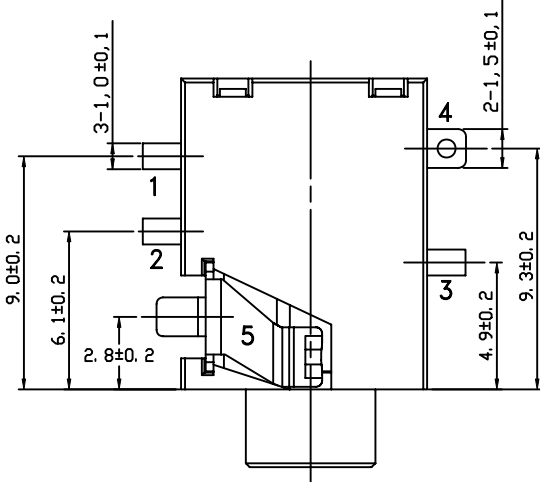
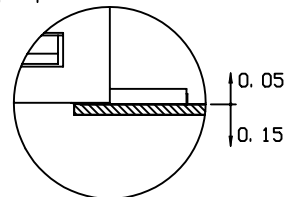
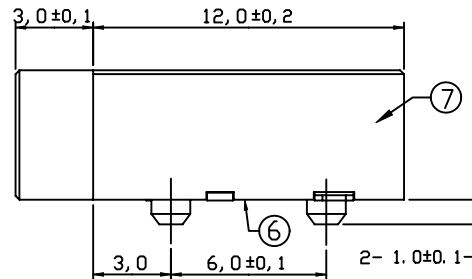
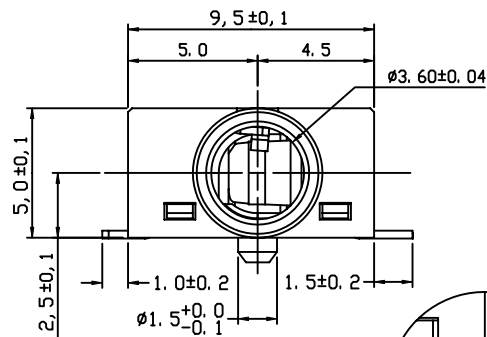


COMPONENT SPECIFICATION

USE OR REPRODUCTION OF THIS DRAWING FOR THE PURPOSE OF MANUFACTURING THIS ARTICLE OR ANY ARTICLES SHOWN FOR ANY PURPOSE IS STRICTLY PROHIBITED WITHOUT WRITTEN PERMISSION FROM SENIOR INDUSTRIES, INC.



ITEM	NAME	MATERIAL	FINISH	Q'TY	NOTE
⑦	HOUSING	PA6T	BLACK	1	UL94V-0
⑥	BOTTOM COVER	PA6T	BLACK	1	UL94V-0
⑤	SLEEVE SPRING	P.B.S.	Au 2u"	1	.30t
④	TIP SPRING	P.B.S.	Au 2u"	1	.25t
③	TIP SHUNT	BRASS	Au 2u"	1	.30t
②	RING SHUNT	BRASS	Au 2u"	1	.30t
①	RING SPRING	P.B.S.	Au 2u"	1	.25t



COPLANARITY

PART NO. :	2nd 'X' IN PART NO. = PACKAGING:
SI-584-X	Tape Reel (800 PCS/REEL)
SI-584-X-1	Bulk



DESIGNED:	DRAWN:	CHECKED:	APPROVED:	SYM.	DATE:	DESCRIPTION OF REVISIONS:	DRAWN:	APPD:	TOLERANCE:	PART NO:	TITLE:	SHEET:
	GAT	GAT	JF	△	04.12.01	NEW	RB	JF	TO 1 DECIMAL PLACE: ±.3 TO 2 DECIMAL PLACES: ±.2 AS ANGLES: ±1/2°	SI-584-X-X	ø3.5mm SMT AUDIO JACK-MONO	1 OF 2
				△	04.28.05	General dwg/spec updated. 2nd 'X's added to PN.	GAT	JF				
				△	09.22.05	Corr '-1' option from 'Tray' pack. to 'Bulk' pack.	GAT	JF				
				△	04.06.09	Updated Material specs	GAT	JF				
<b>3RD ANGLE</b>					UNIT:	mm	SCALE:	5:1	REV:	D		

1

2

3

4

5

COMPONENT SPECIFICATION

USE OR REPRODUCTION OF THIS DRAWING FOR THE PURPOSE OF MANUFACTURING THIS ARTICLE OR ANY ARTICLES SHOWN FOR ANY PURPOSE IS STRICTLY PROHIBITED WITHOUT WRITTEN PERMISSION FROM SENIOR INDUSTRIES, INC.

SPECIFICATIONS

ELECTRICAL

RATED VOLTAGE: 0.3 A @ 16 VDC  
 CONTACT RESISTANCE:  
 PLUG TO CONTACTS: 50 MILLIOHMS MAX.  
 CONTACT TO SHUNT: 30 MILLIOHMS MAX.  
 INSULATION RESISTANCE: 100 MEGOHMS MIN. @ 500 VDC  
 DIELECTRIC STRENGTH: 500 VAC FOR 1 MINUTE

MECHANICAL

LIFE: 5,000 CYCLES  
 INSERTION FORCE: 0.4 Kg TO 3.0 Kg  
 WITHDRAWAL FORCE: 0.4 Kg TO 3.0 Kg

ENVIRONMENTAL

STORAGE TEMPERATURE: -40°C TO +100°C  
 OPERATING TEMPERATURE: -25°C TO +85°C

T&R PACKAGING:

TAPE WIDTH: 24mm  
 TAPE PITCH: 16mm  
 REEL SIZE: 381mm  
 1 CARTON:  
 800 PCS/REEL  
 10 REELS/CARTON  
 8,000 PCS.



**SENIOR INDUSTRIES, INC.**

DESIGNED:			SYM.	DATE:	DESCRIPTION OF REVISIONS:	DRAWN:	APPD:	TOLERANCE:	PART NO:	SI-584-X-X	
DRAWN:	GAT	04/28/05	▲	04.12.01	NEW	RB	JF				TO 1 DECIMAL PLACE: ±
CHECKED:	GAT	04/06/09	▲	04.28.05	General dwg/spec updated. 2nd 'X's added to PN.	GAT	JF		TO 2 DECIMAL PLACES: ±	SHEET:	
APPROVED:	JF	04/06/09	▲	09.22.05	Corr '-1' option from 'Tray' pack. to 'Bulk' pack.	GAT	JF				AS ANGLES: ±
3RD ANGLE			UNIT:	mm	SCALE:		REV:	D			