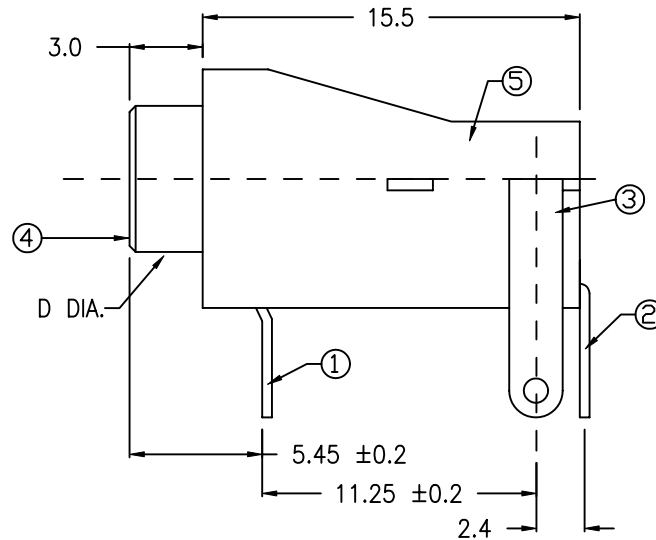
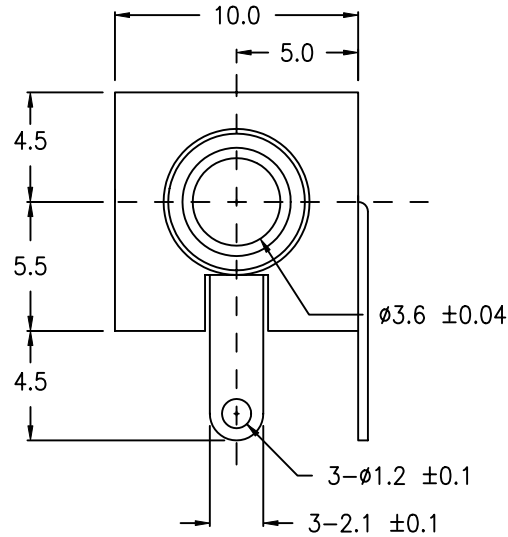


COMPONENT SPECIFICATION

USE OR REPRODUCTION OF THIS DRAWING FOR THE PURPOSE OF MANUFACTURING THIS ARTICLE OR ANY ARTICLES SHOWN FOR ANY PURPOSE IS STRICTLY PROHIBITED WITHOUT WRITTEN PERMISSION FROM SENIOR INDUSTRIES, INC.



SPECIFICATIONS:

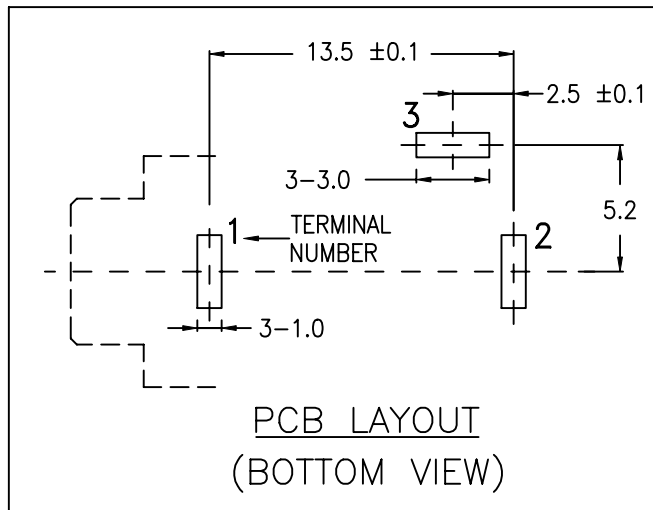
ELECTRICAL:

CONTACT RATING: 1A @ 12VDC
 CONTACT RESISTANCE: 30 MILLIOHMS MAX.
 INSULATION RESISTANCE: 50 MEGOHMS MIN. @ 250VDC
 DIELECTRIC STRENGTH: 250 VAC FOR 1 MINUTE

MECHANICAL

LIFE CYCLE: 5,000 CYCLES
 INSERTION FORCE: 0.4 Kg TO 1.5 Kg
 WITHDRAWAL FORCE: 0.4 Kg TO 1.5 Kg

D DIA.	NON THREADED
	φ6.0
SCHEMATIC	



⑤	HOUSING	1	PPO, UL94V-1, BLACK
④	BUSHING	1	BRASS - NICKEL PLATED
③	TIP SHUNT	1	BRASS 0.4mm THICK - TIN PLATED
②	TIP SPRING	1	Ti-Cu Alloy 0.2mm THICK - TIN PLATED
①	SLEEVE	1	BRASS 0.3mm THICK - TIN PLATED
ITEM	NAME	Q'TY	MATERIAL/FINISH



SENIOR INDUSTRIES, INC.

DESIGNED:		SYM.	DATE:	DESCRIPTION OF REVISIONS:	DRAWN:	APPD:	
DRAWN:	GAT 04/06/05	▲	04.06.05	NEW	GAT		
CHECKED:		▲	.	.			
APPROVED:		▲	.	.			
3RD ANGLE		UNIT:	mm	SCALE:	1:1	REV:	A

TOLERANCE:
TO 1 DECIMAL PLACE: ±.2
TO 2 DECIMAL PLACES: ±.10
AS ANGLES: ±1/2°

PART NO:	SI-593N
TITLE:	RIGHT ANGLE φ3.5mm AUDIO JACK-MONO
SHEET:	1 OF 1