

COMPONENT SPECIFICATION

USE OR REPRODUCTION OF THIS DRAWING FOR THE PURPOSE OF MANUFACTURING THIS ARTICLE OR ANY ARTICLES SHOWN FOR ANY PURPOSE IS STRICTLY PROHIBITED WITHOUT WRITTEN PERMISSION FROM SENIOR INDUSTRIES, INC.

SPECIFICATIONS:

ELECTRICAL:

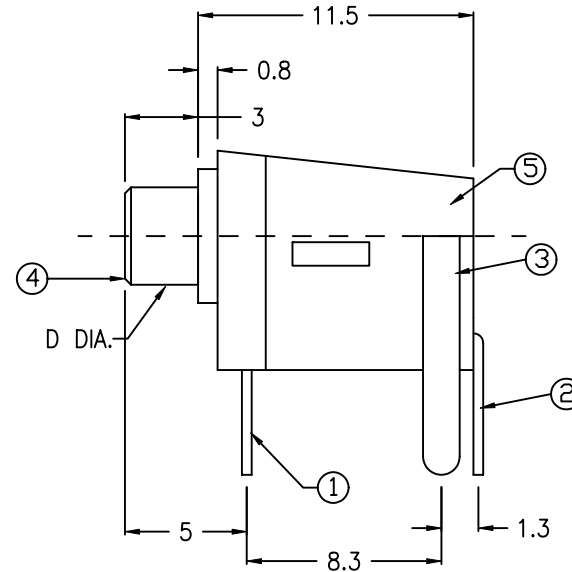
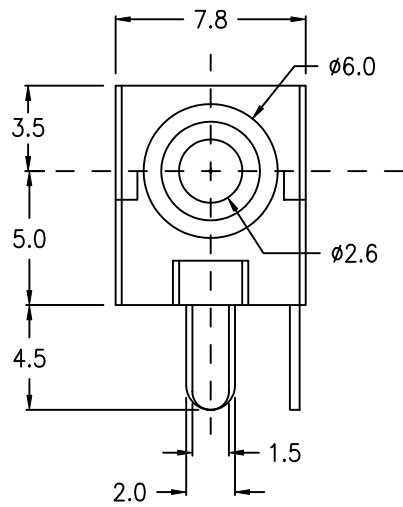
CONTACT RATING: 1A @ 12VDC
 CONTACT RESISTANCE: 30 MILLIOHMS MAX.
 INSULATION RESISTANCE: 100 MEGOHMS MIN. @ 500VDC
 DIELECTRIC STRENGTH: 500 VAC FOR 1 MINUTE

MECHANICAL

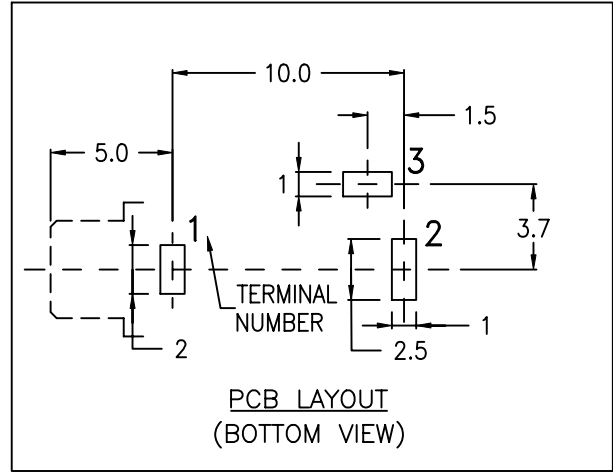
LIFE CYCLE: 5,000 CYCLES
 INSERTION FORCE: 0.3 Kg TO 2.0 Kg
 WITHDRAWAL FORCE: 0.3 Kg TO 2.0 Kg

ENVIRONMENTAL:

OPERATING TEMPERATURE: -25°C TO +85°C



D DIA.	NON THREADED
	ø4.0
SCHEMATIC	



ITEM	NAME	Q'TY	MATERIAL	FINISH
⑤	HOUSING	1	POM, BLACK	
④	BUSHING	1	BRONZE STRIP - NICKEL PLATED	
③	TIP SHUNT	1	BRASS 0.4mm THICK - SILVER PLATED	
②	TIP SPRING	1	Ti-Cu Alloy 0.2mm THICK - SILVER PLATED	
①	SLEEVE	1	BRASS 0.4mm THICK - SILVER PLATED	



DESIGNED:			SYM.	DATE:	DESCRIPTION OF REVISIONS:	DRAWN:	APPD:	TOLERANCE:	PART NO:	SI-594N
DRAWN:	GAT	04/06/05	▲	04.06.05	NEW	GAT	JF			
CHECKED:	GAT	08/07/07	▲	08.07.07	Replaced housing 5.5 dim with 5.0 mm	GAT	JF	TO 1 DECIMAL PLACE: ±.2	TITLE:	2.5mm AUDIO JACK-MONO
APPROVED:	JF	08/07/07	▲					TO 2 DECIMAL PLACES:		
3RD ANGLE		UNIT:	mm [IN]	SCALE:	1:1	REV:	B	AS ANGLES:	SHEET:	1 OF 1