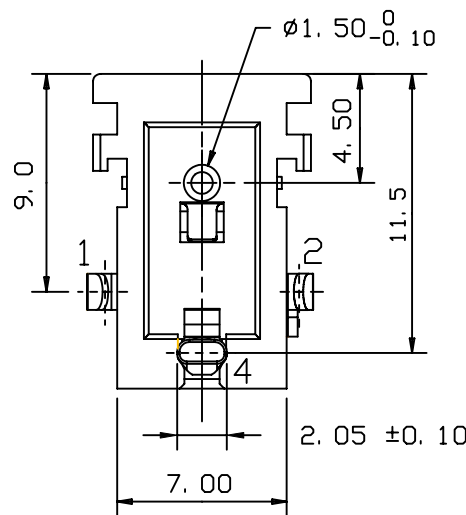
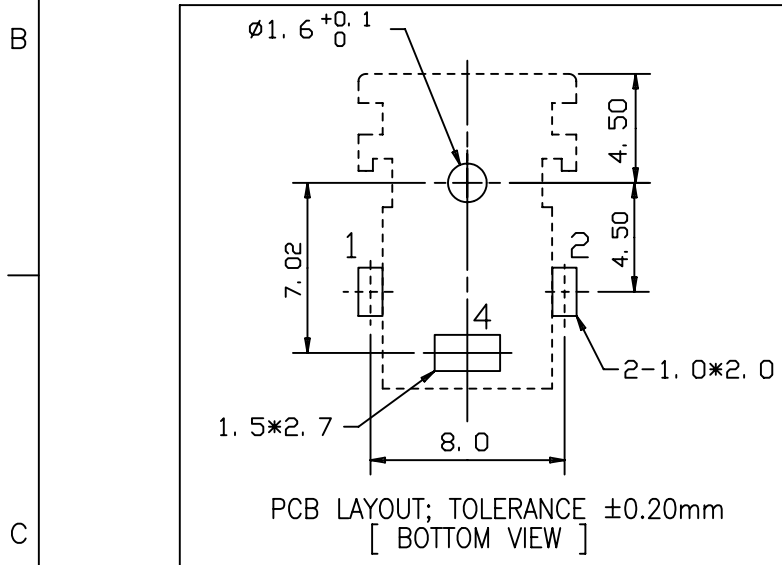
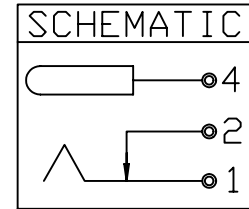
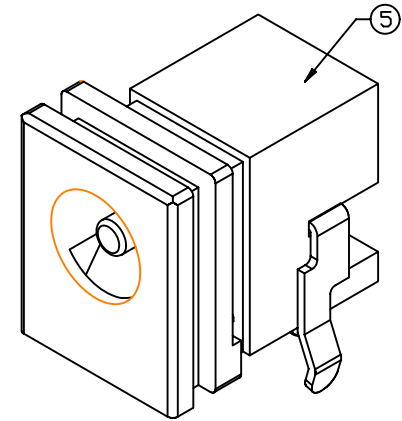
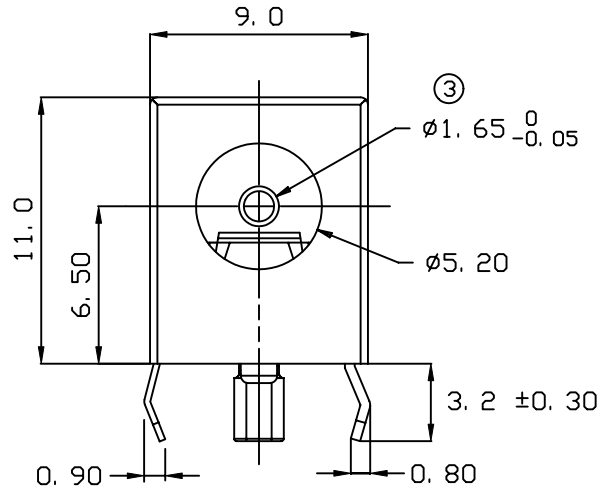
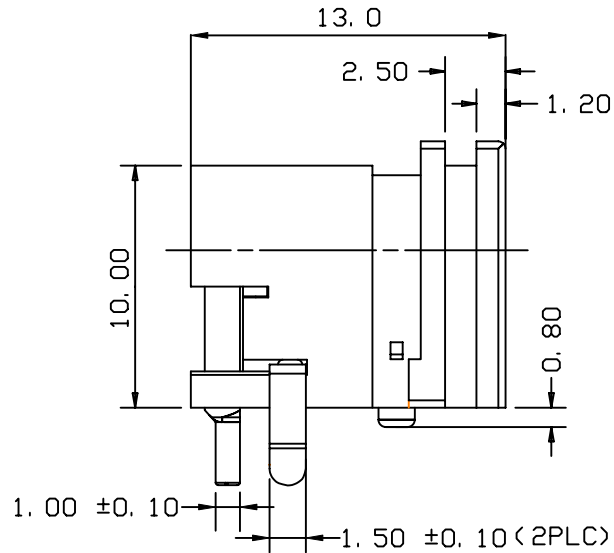


COMPONENT SPECIFICATION

USE OR REPRODUCTION OF THIS DRAWING FOR THE PURPOSE OF MANUFACTURING THIS ARTICLE OR ANY ARTICLES SHOWN FOR ANY PURPOSE IS STRICTLY PROHIBITED WITHOUT WRITTEN PERMISSION FROM SENIOR INDUSTRIES, INC.



ITEM	NAME	Q'TY	MATERIAL / FINISH
⑤	HOUSING	1	PBT, UL94V-0, BLACK
④	PIN TERMINAL	1	BRASS, TIN PLATED
③	PIN ( $\phi 1.65\text{mm}$ )	1	BRASS, NICKEL PLATED
②	SLEEVE SHUNT	1	BRASS, TIN PLATED, .40t
①	SLEEVE SPRING	1	PBS, TIN PLATED, .25t



DESIGNED:		SYM.	DATE:	DESCRIPTION OF REVISIONS:	DRAWN:	APPD:	TOLERANCE:	PART NO:	SI-671
DRAWN:	GAT 12/10/04	▲	03.18.05	NEW	GAT				
CHECKED:		▲	.	.			AS ANGLES: ±2.0°	SHEET:	1 OF 2
APPROVED:		▲	.	.					
3RD ANGLE		UNIT:	mm	SCALE:	5:1	REV:	A		

1

2

3

4

5

COMPONENT SPECIFICATION

USE OR REPRODUCTION OF THIS DRAWING FOR THE PURPOSE OF MANUFACTURING THIS ARTICLE OR ANY ARTICLES SHOWN FOR ANY PURPOSE IS STRICTLY PROHIBITED WITHOUT WRITTEN PERMISSION FROM SENIOR INDUSTRIES, INC.

SPECIFICATIONS:

ELECTRICAL:

RATED VOLTAGE:	2A @ 10.5 VDC
CONTACT RESISTANCE:	30 MILLIOHMS MAX.
INSULATION RESISTANCE:	100 MEGOHMS MIN.
DIELECTRIC STRENGTH:	250 VAC FOR 1 MINUTE

MECHANICAL

LIFE CYCLE:	5,000 CYCLES
INSERTION FORCE:	0.3 Kg TO 2.0 Kg
WITHDRAWAL FORCE:	0.3 Kg TO 2.0 Kg

ENVIRONMENTAL:

OPERATING TEMPERATURE:	-25°C TO +85°C
------------------------	----------------



**SENIOR INDUSTRIES, INC.**

DESIGNED:	DRAWN:	CHECKED:	APPROVED:	SYM.	DATE:	DESCRIPTION OF REVISIONS:	DRAWN:	APPD:
	GAT			▲	03.18.05	NEW	GAT	
				▲	.	.		
				▲	.	.		
				▲	.	.		

TOLERANCE:	PART NO:	SI-671
TO 1 DECIMAL PLACE: ±	TITLE:	∅1.65mm DC POWER JACK w/ Crimped PCB Leads
TO 2 DECIMAL PLACES: ±	SHEET:	2 OF 2
AS ANGLES: ±		

3RD ANGLE		UNIT: mm	SCALE:	REV: A
-----------	--	----------	--------	--------