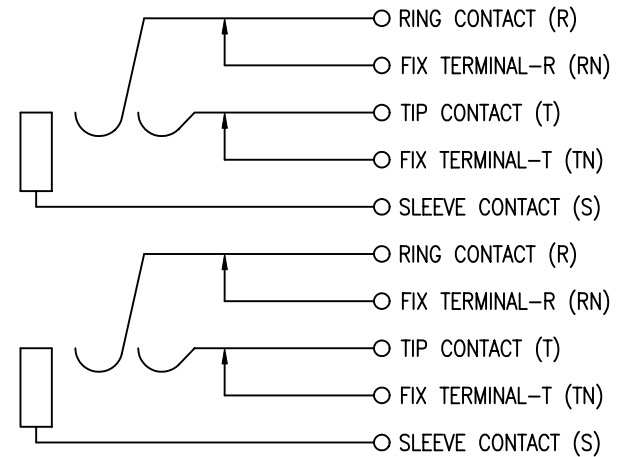
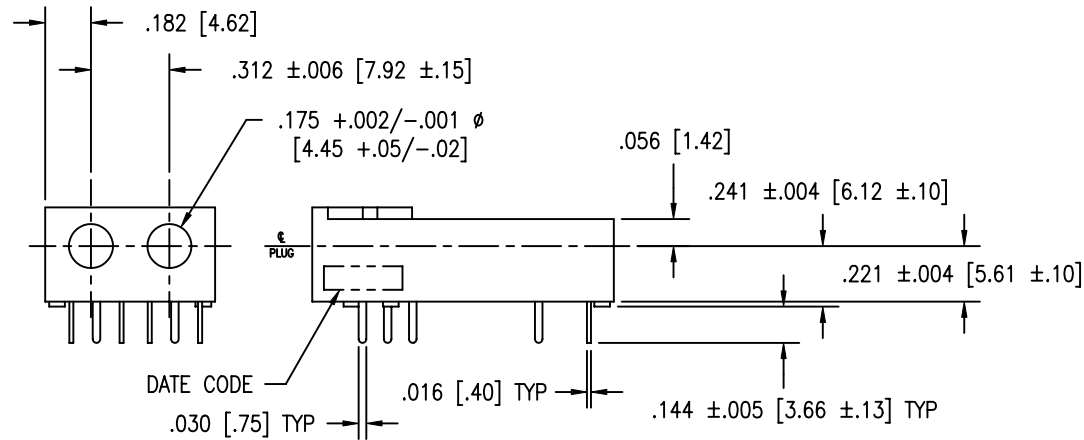
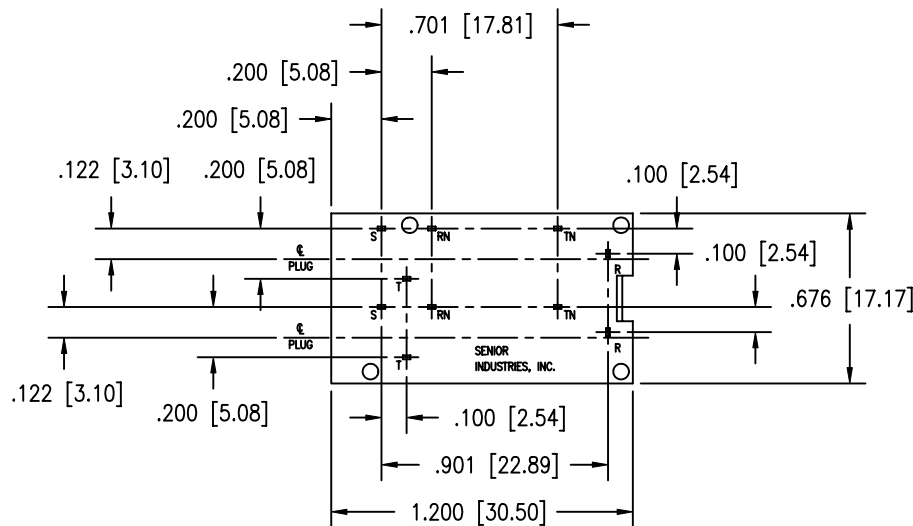


1	2	3	4	5
COMPONENT SPECIFICATION	USE OR REPRODUCTION OF THIS DRAWING FOR THE PURPOSE OF MANUFACTURING THIS ARTICLE OR ANY ARTICLES SHOWN FOR ANY PURPOSE IS STRICTLY PROHIBITED WITHOUT WRITTEN PERMISSION FROM SENIOR INDUSTRIES, INC.			



SCHEMATIC



PART	QTY	MATERIAL/FINISH
BODY	1	PBT, 10% GLASS, UL94V-0
TIP CONTACT (T)	2	PHOSPHOR BRONZE, 100 MICROINCHES TIN. CROSS BAR: COPPER, 30 MICROINCHES MIN GOLD OVER 50 MICROINCHES MIN NICKEL.
RING CONTACT (R)	2	PHOSPHOR BRONZE, 100 MICROINCHES TIN. CROSS BAR: COPPER, 30 MICROINCHES MIN GOLD OVER 50 MICROINCHES MIN NICKEL.
FIX TERMINAL-T (TN)	2	PHOSPHOR BRONZE, 100 MICROINCHES TIN. CROSS BAR: COPPER, 30 MICROINCHES MIN GOLD OVER 50 MICROINCHES MIN NICKEL.
FIX TERMINAL-R (RN)	2	PHOSPHOR BRONZE, 100 MICROINCHES TIN. CROSS BAR: COPPER, 30 MICROINCHES MIN GOLD OVER 50 MICROINCHES MIN NICKEL.
SLEEVE CONTACT (S)	2	PHOSPHOR BRONZE, 100 MICROINCHES TIN. CROSS BAR: COPPER, 30 MICROINCHES MIN GOLD OVER 50 MICROINCHES MIN NICKEL.

RoHS COMPLIANT



SENIOR INDUSTRIES, INC.

DESIGNED:			SYM.	DATE:	DESCRIPTION OF REVISIONS:	DRAWN:	APPD:	TOLERANCE:	PART NO:	SI-BJ-0222-X			
DRAWN:	GAM	07/23/92	▲	08.29.92	NEW	JF	JF				TO 2 DECIMAL PLACES: ± TO 3 DECIMAL PLACES: ±.012 [.30]	TITLE:	DUAL BANTAM JACK
CHECKED:	GAT	01/30/06	▲	02.21.96	PNcorr. Mat/finish updated. Show jack w/o cover	JF	JF	AS ANGLES: ± °	SHEET:	1 OF 2			
APPROVED:	JF	01/30/06	▲	09.20.05	Part is RoHS compliant. New Indicator, Spec added	GAT	JF						
			▲	01.30.06	Wave solder temp of 260°C for 5 seconds added.	GAT	JF						
3RD ANGLE			UNIT:	IN [mm]	SCALE:	2:1	REV:	D					

1

2

3

4

5

COMPONENT SPECIFICATION

USE OR REPRODUCTION OF THIS DRAWING FOR THE PURPOSE OF MANUFACTURING THIS ARTICLE OR ANY ARTICLES SHOWN FOR ANY PURPOSE IS STRICTLY PROHIBITED WITHOUT WRITTEN PERMISSION FROM SENIOR INDUSTRIES, INC.

SPECIFICATIONS

ELECTRICAL

CONTACT RATING: 250mA @ 130 VAC
CONTACT RESISTANCE: 20 MILLIOHMS MAX.
INSULATION RESISTANCE: 10,000 MEGOHMS MIN. @ 500 VDC
DIELECTRIC STRENGTH: 500 VAC FOR 1 MINUTE

MECHANICAL

LIFE: 10,000 CYCLES
INSERTION FORCE: 7.0 Lbs MAX.
WITHDRAWAL FORCE: 1.5 Lbs MIN.

ENVIRONMENTAL

OPERATING TEMPERATURE: -40°C TO +85°C
PART SHALL WITHSTAND WAVE SOLDER TEMPERATURE OF 260°C FOR 5 SECONDS.

REGULATORY:

UL RECOGNIZED COMPONENT. UL FILE NO. E147880.

NOTE: 'X' IN PART NUMBER DENOTES HOUSING COLOR:

- 1 - BLUE
- 2 - RED
- 3 - BLACK (STD)
- 4 - BROWN
- 5 - GREEN
- 6 - WHITE
- 7 - GRAY
- 8 - ORANGE
- 9 - YELLOW
- 10 - VIOLET
- 11 - IVORY/NEUTRAL

RoHS COMPLIANT



SENIOR INDUSTRIES, INC.

DESIGNED:			SYM.	DATE:	DESCRIPTION OF REVISIONS:	DRAWN:	APPD:	TOLERANCE:	PART NO:	SI-BJ-0222-X	
DRAWN:	GAM	07/23/92	▲	08.29.92	NEW	JF	JF				TO 2 DECIMAL PLACES: ±
CHECKED:	GAT	01/30/06	▲	02.21.96	PNcorr. Mat/finish updated. Show jack w/o cover	JF	JF		TO 3 DECIMAL PLACES: ±	SHEET:	
APPROVED:	JF	01/30/06	▲	09.20.05	Part is RoHS compliant. New Indicator, Spec added	GAT	JF				AS ANGLES: ± °
			▲	01.30.06	Wave solder temp of 260°C for 5 seconds added.	GAT	JF				
3RD ANGLE			UNIT:	IN [mm]	SCALE:	REV:	D				