

1

2

3

4

5

COMPONENT SPECIFICATION

USE OR REPRODUCTION OF THIS DRAWING FOR THE PURPOSE OF MANUFACTURING THIS ARTICLE OR ANY ARTICLES SHOWN FOR ANY PURPOSE IS STRICTLY PROHIBITED WITHOUT WRITTEN PERMISSION FROM SENIOR INDUSTRIES, INC.

SPECIFICATIONS

ELECTRICAL:

CONTACT RATING: 250mA @ 130 VAC
CONTACT RESISTANCE: 20 MILLIOHMS MAX.
INSULATION RESISTANCE: 10,000 MEGOHMS MIN. @ 500 VDC
DIELECTRIC STRENGTH: 500 VAC FOR 1 MINUTE

MECHANICAL:

LIFE: 10,000 CYCLES
INSERTION FORCE: 7.0 Lbs MAX.
WITHDRAWAL FORCE: 1.5 Lbs MIN.

ENVIRONMENTAL:

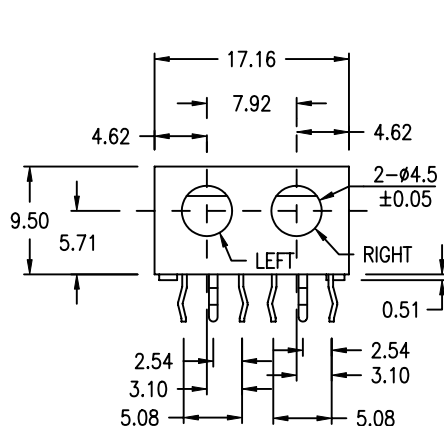
OPERATING TEMPERATURE: -40°C TO +85°C

REGULATORY:

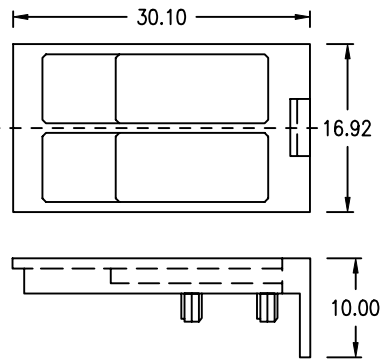
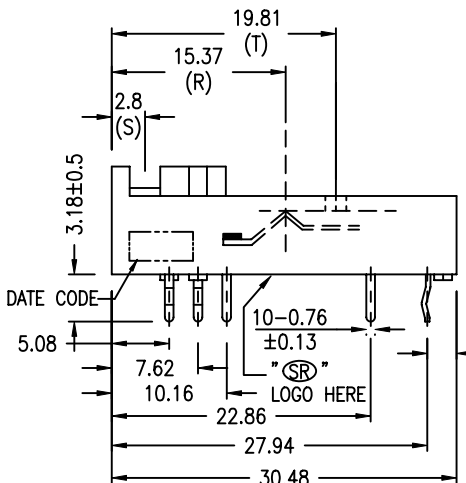
UL RECOGNIZED COMPONENT. UL FILE NO. E147880.

NOTES:

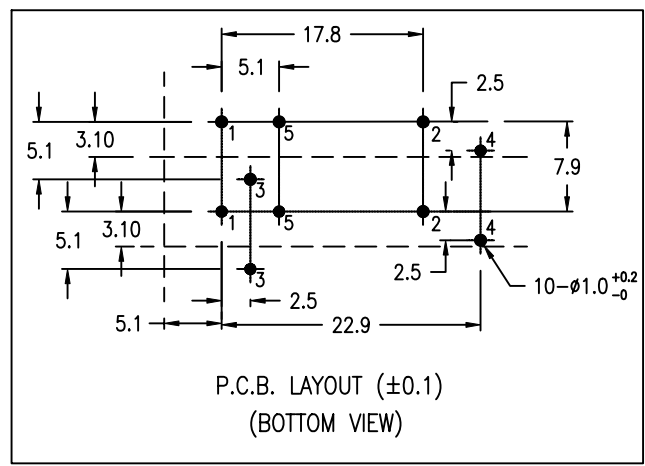
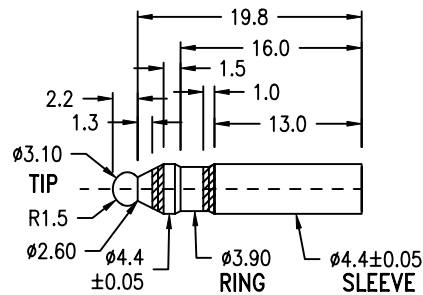
- 1. 'X' IN PART NUMBER DENOTES HOUSING COLOR:
1 - BLUE 7 - GRAY
2 - RED 8 - ORANGE
3 - BLACK (STD) 9 - YELLOW
4 - BROWN 10 - VIOLET
5 - GREEN 11 - IVORY/NEUTRAL
6 - WHITE
2. 2ND 'X' IN PART NUMBER DENOTES COVER OPTIONS:
BLANK - WITHOUT COVER
C - WITH COVER



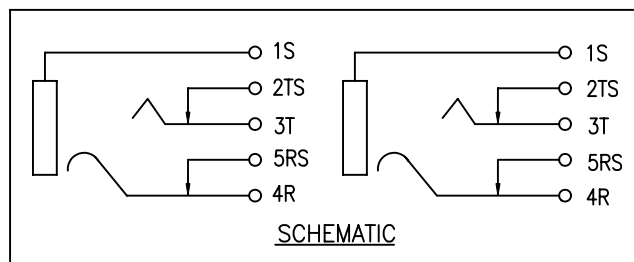
PLUG



COVER:



P.C.B. LAYOUT (±0.1) (BOTTOM VIEW)



SCHEMATIC

Table with 4 columns: ITEM, PART NAME, QT'Y, MATERIAL/FINISH. Rows include COVER, HOUSING, RING SHUNT, RING SPRING, TIP SPRING, TIP SHUNT, SLEEVE.



SENIOR INDUSTRIES, INC.

RoHS COMPLIANT

Table with columns: DESIGNED, DRAWN, CHECKED, APPROVED, SYM, DATE, DESCRIPTION OF REVISIONS, DRAWN, APPD.

Table with columns: TOLERANCE, PART NO, TITLE, SHEET. Values include SI-BJ-0223A-X-X, BANTAM JACK, 1 OF 1.

Table with columns: 3RD ANGLE, UNIT, mm, SCALE, 1:1, REV, D.