

1

2

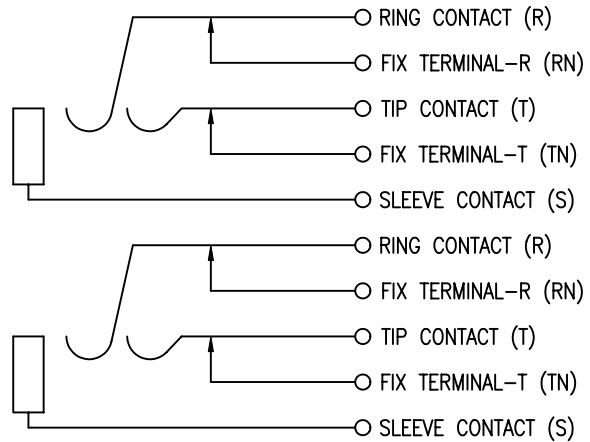
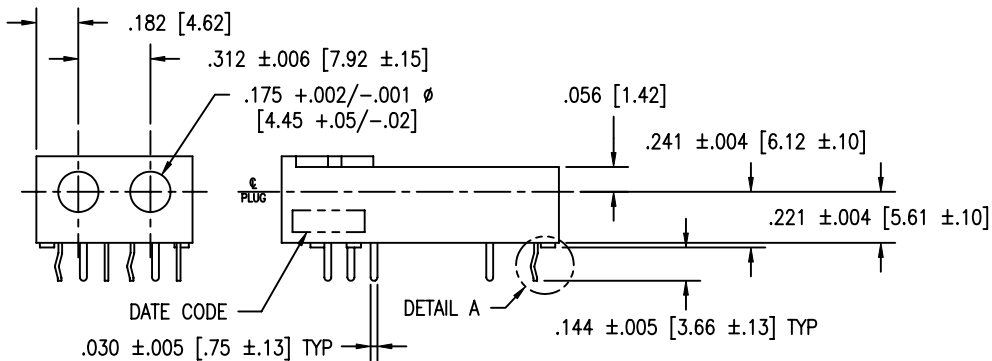
3

4

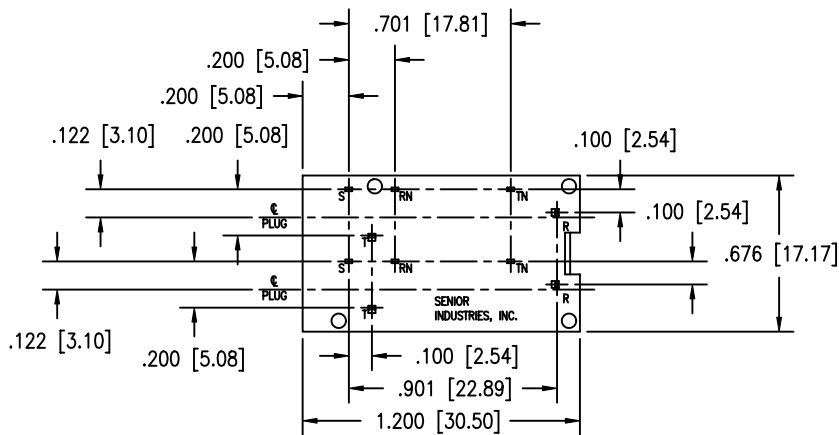
5

COMPONENT SPECIFICATION

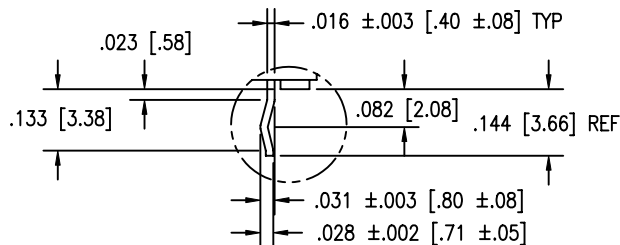
USE OR REPRODUCTION OF THIS DRAWING FOR THE PURPOSE OF MANUFACTURING THIS ARTICLE OR ANY ARTICLES SHOWN FOR ANY PURPOSE IS STRICTLY PROHIBITED WITHOUT WRITTEN PERMISSION FROM SENIOR INDUSTRIES, INC.



SCHEMATIC



PART	QTY	MATERIAL/FINISH
BODY	1	PBT, 10% GLASS, UL94V-0
TIP CONTACT (T)	2	PHOSPHOR BRONZE, 100 MICROINCHES TIN. CROSS BAR: COPPER, 30 MICROINCHES MIN GOLD OVER 50 MICROINCHES MIN NICKEL.
RING CONTACT (R)	2	PHOSPHOR BRONZE, 100 MICROINCHES TIN. CROSS BAR: COPPER, 30 MICROINCHES MIN GOLD OVER 50 MICROINCHES MIN NICKEL.
FIX TERMINAL-T (TN)	2	PHOSPHOR BRONZE, 100 MICROINCHES TIN. CROSS BAR: COPPER, 30 MICROINCHES MIN GOLD OVER 50 MICROINCHES MIN NICKEL.
FIX TERMINAL-R (RN)	2	PHOSPHOR BRONZE, 100 MICROINCHES TIN. CROSS BAR: COPPER, 30 MICROINCHES MIN GOLD OVER 50 MICROINCHES MIN NICKEL.
SLEEVE CONTACT (S)	2	PHOSPHOR BRONZE, 100 MICROINCHES TIN. CROSS BAR: COPPER, 30 MICROINCHES MIN GOLD OVER 50 MICROINCHES MIN NICKEL.



DETAIL A
SCALE 4/1

RoHS COMPLIANT



SENIOR INDUSTRIES, INC.

DESIGNED:			SYM.	DATE:	DESCRIPTION OF REVISIONS:	DRAWN:	APPD:
DRAWN:	GAM	07/23/92	▲	04.08.93	NEW	TF	JF
CHECKED:	GAT	09/20/05	▲	02.21.96	Corr PN. Updated mat/finish. Show jack w/o cover	JF	JF
APPROVED:	JF	09/20/05	▲	05.05.05	New Index. Tol added to dims .016/.030-pin width	GAT	JF
			▲	09.20.05	Part is 'RoHS compliant'. Note: X=Housing Colors	GAT	JF

TOLERANCE:	
TO 2 DECIMAL PLACE:	±
TO 3 DECIMAL PLACES:	±.012 [.30]
AS ANGLES:	± °

PART NO:	SI-BJ-0223-X
TITLE:	DUAL BANTAM JACK
SHEET:	1 OF 2

3RD ANGLE		UNIT:	IN [mm]	SCALE:	2:1	REV:	D
-----------	--	-------	---------	--------	-----	------	---

1

2

3

4

5

COMPONENT
SPECIFICATIONUSE OR REPRODUCTION OF THIS DRAWING FOR THE PURPOSE OF MANUFACTURING THIS
ARTICLE OR ANY ARTICLES SHOWN FOR ANY PURPOSE IS STRICTLY PROHIBITED WITHOUT
WRITTEN PERMISSION FROM SENIOR INDUSTRIES, INC.SPECIFICATIONSELECTRICAL

CONTACT RATING: 250mA @ 130 VAC
 CONTACT RESISTANCE: 20 MILLIOHMS MAX.
 INSULATION RESISTANCE: 10,000 MEGOHMS MIN. @ 500 VDC
 DIELECTRIC STRENGTH: 500 VAC FOR 1 MINUTE

MECHANICAL

LIFE: 10,000 CYCLES
 INSERTION FORCE: 7.0 Lbs MAX.
 WITHDRAWAL FORCE: 1.5 Lbs MIN.

ENVIRONMENTAL

OPERATING TEMPERATURE: -40°C TO +85°C

REGULATORY:

UL RECOGNIZED COMPONENT. UL FILE NO. E147880.

NOTE: 'X' IN PART NUMBER DENOTES HOUSING COLOR:

1 - BLUE	7 - GRAY
2 - RED	8 - ORANGE
3 - BLACK (STD)	9 - YELLOW
4 - BROWN	10 - VIOLET
5 - GREEN	11 - IVORY/NEUTRAL
6 - WHITE	



**SENIOR
INDUSTRIES, INC.**

DESIGNED:			SYM.	DATE:	DESCRIPTION OF REVISIONS:	DRAWN:	APPD:	TOLERANCE:	PART NO:	SI-BJ-0223-X
DRAWN:	GAM	07/23/92	△	04.08.93	NEW	TF	JF			
CHECKED:	GAT	09/20/05	△	02.21.96	Corr PN. Updated mat/finish.Show jack w/o cover	JF	JF	TO 2 DECIMAL PLACES: ±	TITLE:	DUAL BANTAM JACK
APPROVED:	JF	09/20/05	△	05.05.05	New Index.Tol added to dims .016/.030-pin width	GAT	JF	TO 3 DECIMAL PLACES: ±		
			△	09.20.05	Part is 'RoHS compliant'. Note: X=Housing Colors	GAT	JF	AS ANGLES: ±	SHEET:	2 OF 2
3RD ANGLE			UNIT:	IN[mm]	SCALE:	REV:	D			