

1 | 2 | 3 | 4 | 5

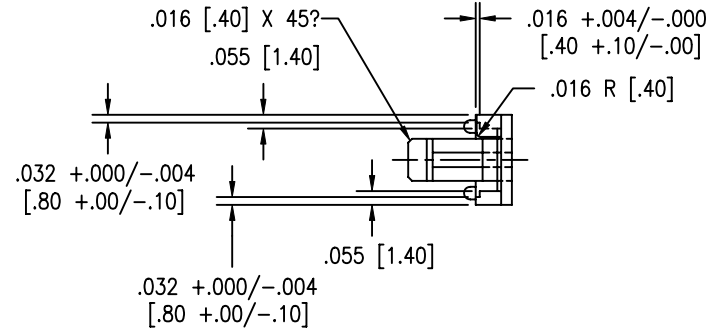
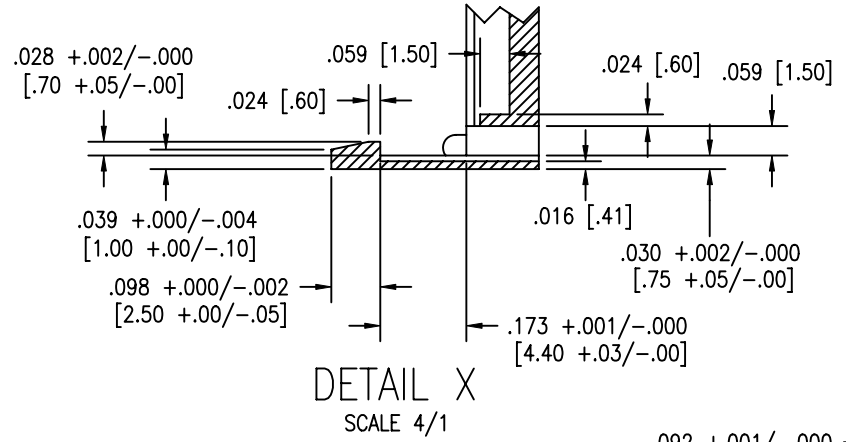
COMPONENT SPECIFICATION

USE OR REPRODUCTION OF THIS DRAWING FOR THE PURPOSE OF MANUFACTURING THIS ARTICLE OR ANY ARTICLES SHOWN FOR ANY PURPOSE IS STRICTLY PROHIBITED WITHOUT WRITTEN PERMISSION FROM SENIOR INDUSTRIES, INC.

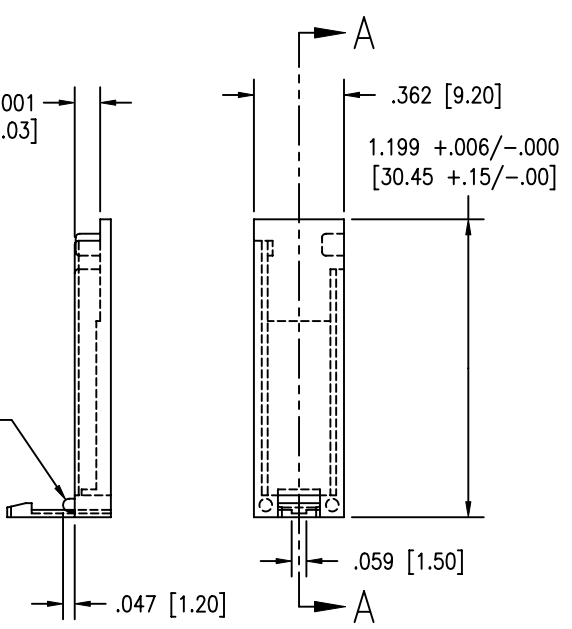
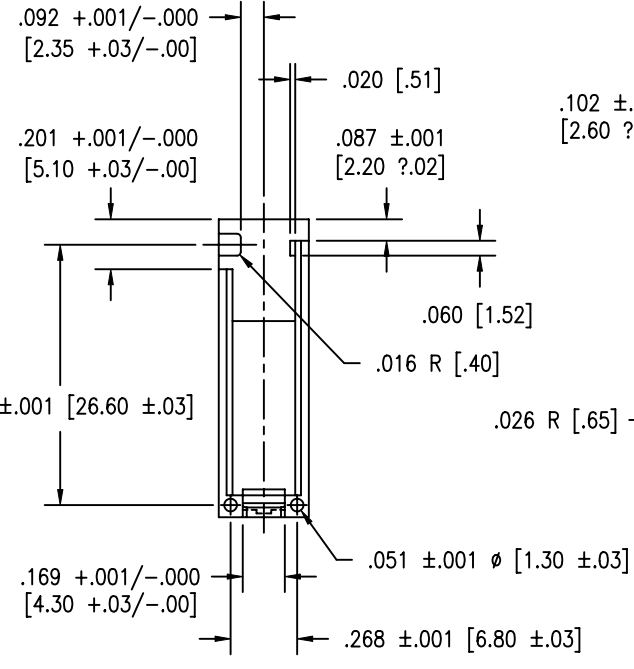
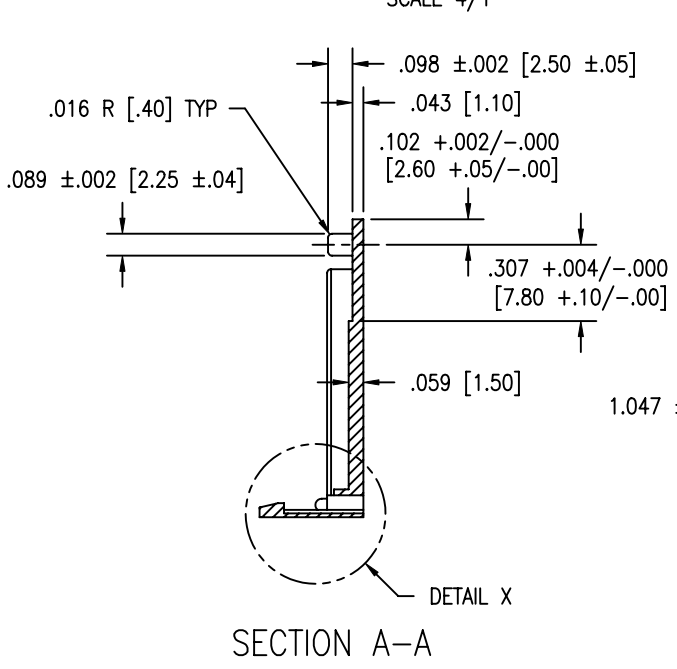
NOTE: 'X' IN PART NUMBER DENOTES COLOR:

- 1 - BLUE
- 2 - RED
- 3 - BLACK (STD)
- 4 - BROWN
- 5 - GREEN
- 6 - WHITE
- 7 - GRAY
- 8 - ORANGE
- 9 - YELLOW
- 10 - VIOLET
- 11 - IVORY/NEUTRAL

A



B



MATERIAL: PBT, 10% GLASS, UL94V-0



DESIGNED:			SYM.	DATE:	DESCRIPTION OF REVISIONS:	DRAWN:	APPD:
DRAWN:	GAM	07/23/92	▲	09.11.92	NEW	JF	JF
CHECKED:	GAT	09/21/05	▲	06.13.94	2nd notch added. Chged 2.00 notch lgth w/2.50	JF	JF
APPROVED:	JF	09/21/05	▲	02.21.96	PN corr. Updated material/finish	JF	JF
			▲	09.21.05	'X' = Colors options for cover. New Indicator	GAT	JF

TOLERANCE:	PART NO:	SI-BJSC-X
TO 2 DECIMAL PLACE: ±	TITLE:	SINGLE BANTAM JACK COVER
TO 3 DECIMAL PLACES: ±.012 [.30]	SHEET:	1 OF 1

3RD ANGLE	UNIT:	IN[mm]	SCALE:	2:1	REV:	D
-----------	-------	--------	--------	-----	------	---

AS ANGLES:	±	°
------------	---	---