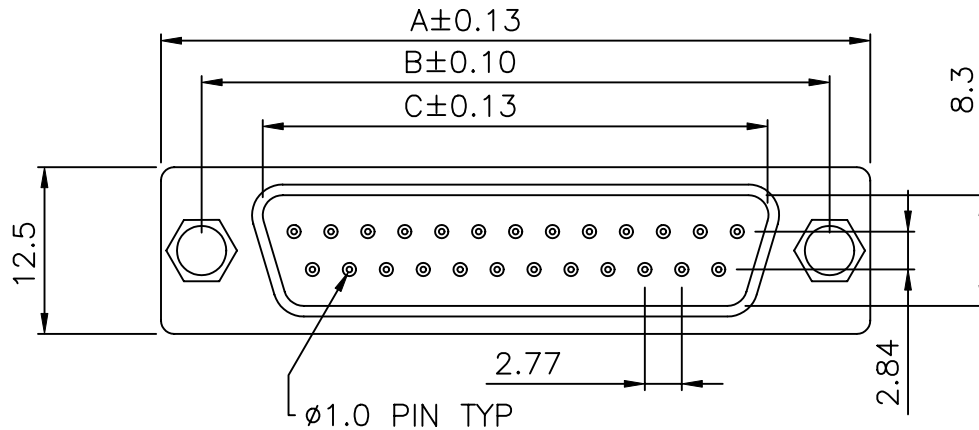
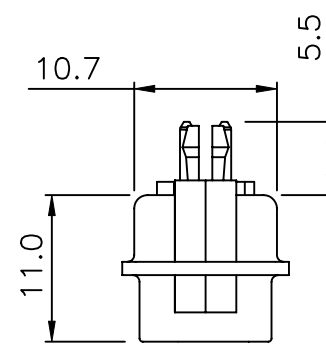
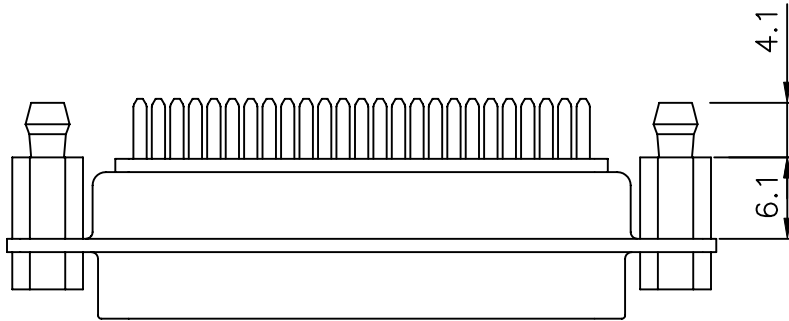


COMPONENT SPECIFICATION

USE OR REPRODUCTION OF THIS DRAWING FOR THE PURPOSE OF MANUFACTURING THIS ARTICLE OR ANY ARTICLES SHOWN FOR ANY PURPOSE IS STRICTLY PROHIBITED WITHOUT WRITTEN PERMISSION FROM SENIOR INDUSTRIES, INC.



NOTE: "X" IN PART NUMBER DENOTES NUMBER OF CONTACTS

	"X" VALUE			
DIA	9	15	25	37
"A"	30.90	39.30	53.20	69.50
"B"	25.00	33.32	47.10	63.50
"C"	16.92	25.25	38.96	55.42



SENIOR INDUSTRIES, INC.

DESIGNED:			SYM.	DATE:	DESCRIPTION OF REVISIONS:	DRAWN:	APPD:
DRAWN:	HV	04/18/01	△	04.18.01	NEW	HV	
CHECKED:			△	10.28.04	New Index	GAT	
APPROVED:			△	.	.		
			△	.	.		
			△	.	.		

TOLERANCE:	PART NO:	TITLE:
TO 1 DECIMAL PLACE: ±.3	SI-DSUB-100-X	D-SUB CONNECTOR (MALE)
TO 2 DECIMAL PLACES: ±.12		
AS ANGLES: ±1/2°	SHEET:	

1

2

3

4

5

COMPONENT SPECIFICATION

USE OR REPRODUCTION OF THIS DRAWING FOR THE PURPOSE OF MANUFACTURING THIS ARTICLE OR ANY ARTICLES SHOWN FOR ANY PURPOSE IS STRICTLY PROHIBITED WITHOUT WRITTEN PERMISSION FROM SENIOR INDUSTRIES, INC.

SPECIFICATIONS

ELECTRICAL

CONTACT RATING: 5A AT 350 VAC
CONTACT RESISTANCE: 5 MILLIOHMS AT 1A
INSULATION RESISTANCE: 1000 MEGOHMS MIN.
DIELECTRIC STRENGTH: 500 VRMS FOR 1 MINUTE

MECHANICAL

MATERIAL:
INSULATOR: PBT + 30% GLASS FIBER UL94V-0
PIN CONTACT: BRASS, GOLD PLATED
SHELL: STEEL, NICKEL PLATED

ENVIRONMENTAL

OPERATING TEMPERATURE RANGE: -40°C TO +100°C



SENIOR INDUSTRIES, INC.

DESIGNED:			SYM.	DATE:	DESCRIPTION OF REVISIONS:	DRAWN:	APPD:	TOLERANCE:	PART NO:	SI-DSUB-100-X		
DRAWN:	HV	04/18/01		04.18.01	NEW	HV						
CHECKED:				10.28.04	New Index	GAT		TO 1 DECIMAL PLACE: ±.3	TITLE:	D-SUB CONNECTOR (MALE)		
APPROVED:				.	.			TO 2 DECIMAL PLACES: ±.12				
3RD ANGLE			UNIT:	mm	SCALE:	2:1	REV:	B	AS ANGLES:	±1/2°	SHEET:	2 OF 2