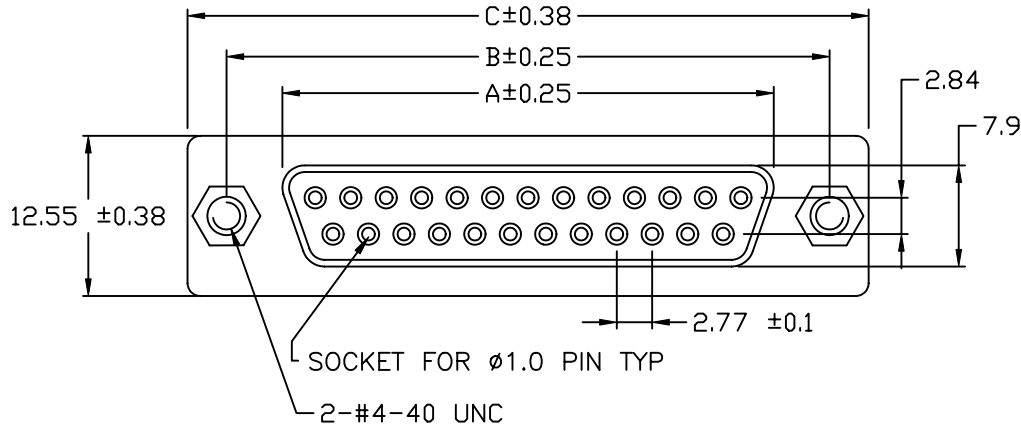


1	2	3	4	5
COMPONENT SPECIFICATION	USE OR REPRODUCTION OF THIS DRAWING FOR THE PURPOSE OF MANUFACTURING THIS ARTICLE OR ANY ARTICLES SHOWN FOR ANY PURPOSE IS STRICTLY PROHIBITED WITHOUT WRITTEN PERMISSION FROM SENIOR INDUSTRIES, INC.		SPECIFICATIONS	

A



**ELECTRICAL:**

CONTACT RATING: 5A AT 350 VAC  
 CONTACT RESISTANCE: 5 MILLIOHMS AT 1A  
 INSULATION RESISTANCE: 1000 MEGOHMS MIN.  
 DIELECTRIC STRENGTH: 500 VRMS FOR 1 MINUTE

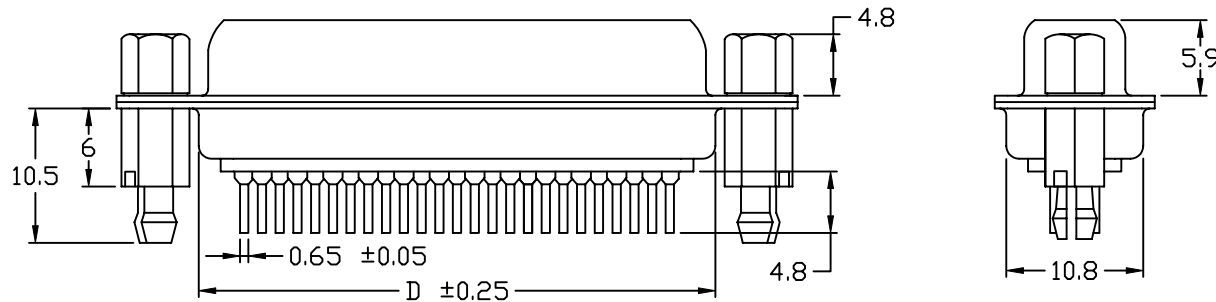
**MECHANICAL:**

MATERIAL:  
 INSULATOR: PBT + 30% GLASS FIBER UL94V-0  
 CONTACT: BRASS, GOLD PLATED  
 TAIL: BRASS, 100 µIN TIN PLATED  
 SHELL: STEEL, TIN PLATED

**ENVIRONMENTAL:**

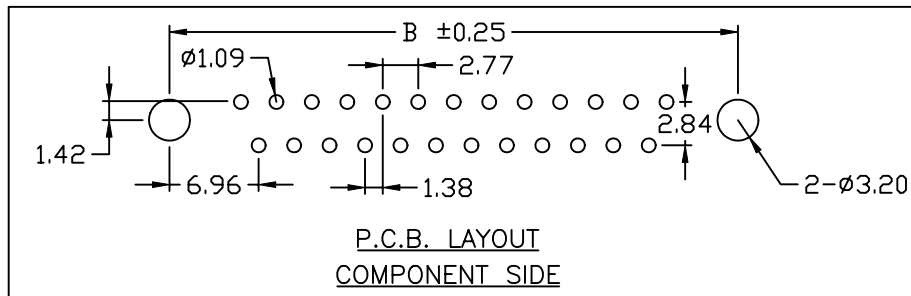
OPERATING TEMPERATURE RANGE: -55°C TO +105°C

B



	"X" VALUE			
DIA	9	15	25	37
"A"	16.33	24.66	38.38	54.84
"B"	24.99	33.32	47.04	63.50
"C"	30.81	39.14	53.04	69.32
"D"	19.28	27.65	41.30	57.44

C



NOTE: "X" IN PART NUMBER DENOTES NUMBER OF CONTACTS



DESIGNED:			SYM.	DATE:	DESCRIPTION OF REVISIONS:	DRAWN:	APPD:	TOLERANCE:	PART NO:	SI-DSUB-200-X
DRAWN:	HV	04/18/01	▲	04.18.01	NEW	HV	JF			
CHECKED:	GAT	10/12/06	▲	10.28.04	New Index	GAT	JF	TO 2 DECIMAL PLACES: ±.2	SHEET:	1 OF 1
APPROVED:	JF	10/12/06	▲	09.21.06	Added PCB; General dims/view updated	GAT	JF			
			▲	10.12.06	Added Tail spec: brass material, tin plated	GAT	JF			
3RD ANGLE			UNIT:	mm	SCALE:	3:1	REV:	D		