

1

2

3

4

COMPONENT SPECIFICATION

USE OR REPRODUCTION OF THIS DRAWING FOR THE PURPOSE OF MANUFACTURING THIS ARTICLE OR ANY ARTICLES SHOWN FOR ANY PURPOSE IS STRICTLY PROHIBITED WITHOUT WRITTEN PERMISSION FROM SENIOR INDUSTRIES, INC.

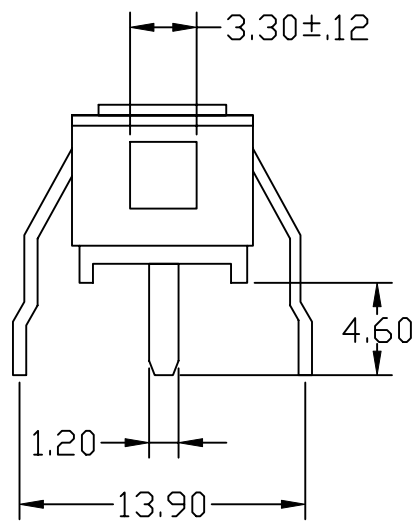
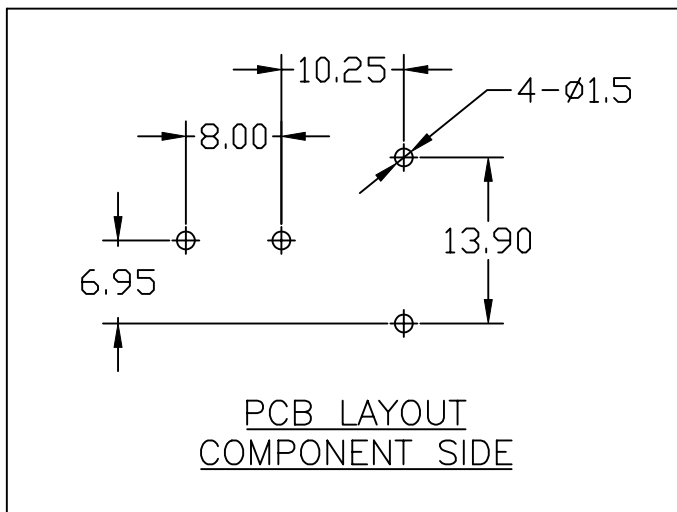
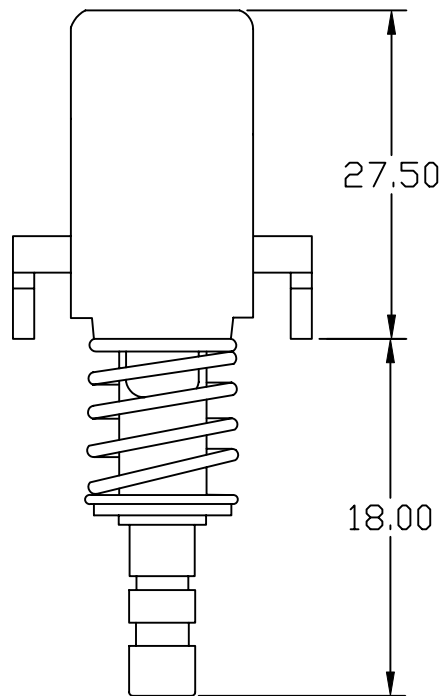
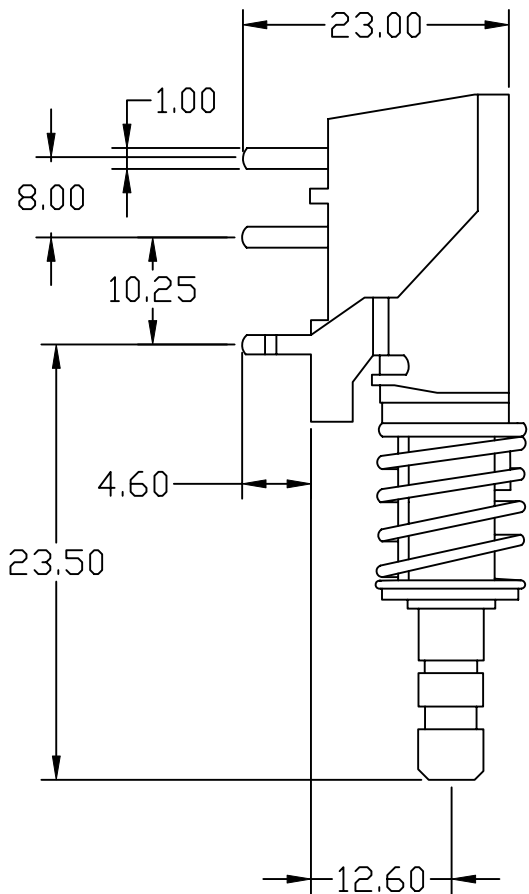
A

B

C

D

E



DESIGNED:			SYM.	DATE:	DESCRIPTION OF REVISIONS:	DRAWN	APPD.
DRAWN:	GAT	03/15/06	▲	06.12.06	NEW	GAT	JF
CHECKED:	GAT	06/12/06	▲	.	.		
APPROVED:	JF	06/12/06	▲	.	.		

3RD ANGLE		UNIT:	mm	SCALE:	2:1	REV.	A
-----------	--	-------	----	--------	-----	------	---



TOLERANCE:	PART NO:
TO 2 DECIMAL PLACE: ±.3	SPB16-X
TO 3 DECIMAL PLACES: ±.15	TITLE:
AS ANGLES: ±1/2°	PUSHBUTTON SWITCH
SHEET:	1 OF 2

1

2

3

4

COMPONENT SPECIFICATION

USE OR REPRODUCTION OF THIS DRAWING FOR THE PURPOSE OF MANUFACTURING THIS ARTICLE OR ANY ARTICLES SHOWN FOR ANY PURPOSE IS STRICTLY PROHIBITED WITHOUT WRITTEN PERMISSION FROM SENIOR INDUSTRIES, INC.

SPECIFICATIONS:

ELECTRICAL:

CONTACT RATING: 16A @ 125VAC
CONTACT RESISTANCE: 100 MILLIOHMS MAX.
INSULATION RESISTANCE: 500 MEGOHMS MIN @ 500 VDC
DIELECTRIC STRENGTH: 1,000 VRMS

MECHANICAL:

OPERATING FORCE: 500gf
LIFE: 25,000 CYCLES

ENVIRONMENTAL:

OPERATING TEMPERATURE: 0°C TO +85°C

MATERIAL:

CASE: PBT 30 % GLASS FILLED, UL94V-0
ACTUATOR: PDM, UL94HB
TERMINAL BOARD: PA66 30% GLASS FILLED, UL94V-0
SPRING: STAINLESS STEEL
CONTACT/TERMINALS: BRASS, SILVER PLATED

PART NUMBER BUILDER:

SERIES SWITCH ACTION



- 1 - MOM
- 2 - PUSH-ON/PUSH-OFF

DESIGNED:			SYM.	DATE:	DESCRIPTION OF REVISIONS:	DRAWN	APPD.
DRAWN:	GAT	03/15/06	△	06.12.06	NEW	GAT	JF
CHECKED:	GAT	06/12/06	△	.	.		
APPROVED:	JF	06/12/06	△	.	.		

3RD ANGLE		UNIT:	mm	SCALE:		REV.	A
-----------	--	-------	----	--------	--	------	---

	TOLERANCE:	PART NO:	SPB16-X
	TO 2 DECIMAL PLACE:	TITLE:	PUSHBUTTON SWITCH
	TO 3 DECIMAL PLACES:	±	
	AS ANGLES:	± °	
SHEET:		2 OF 2	