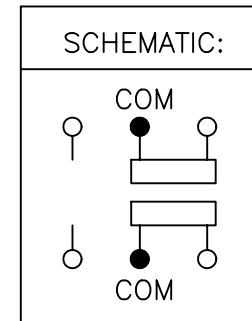
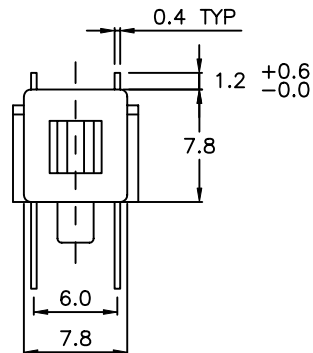
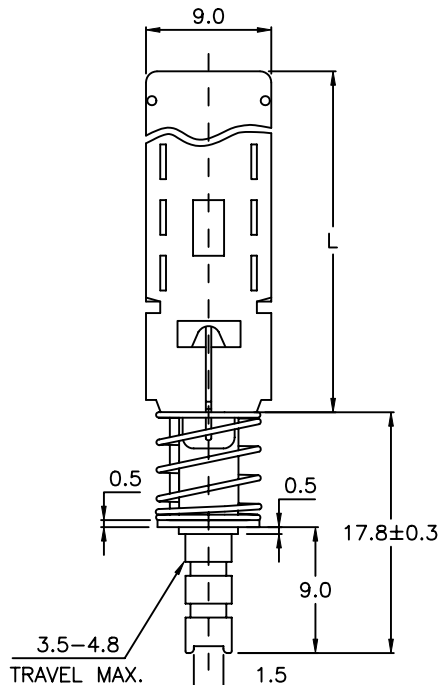
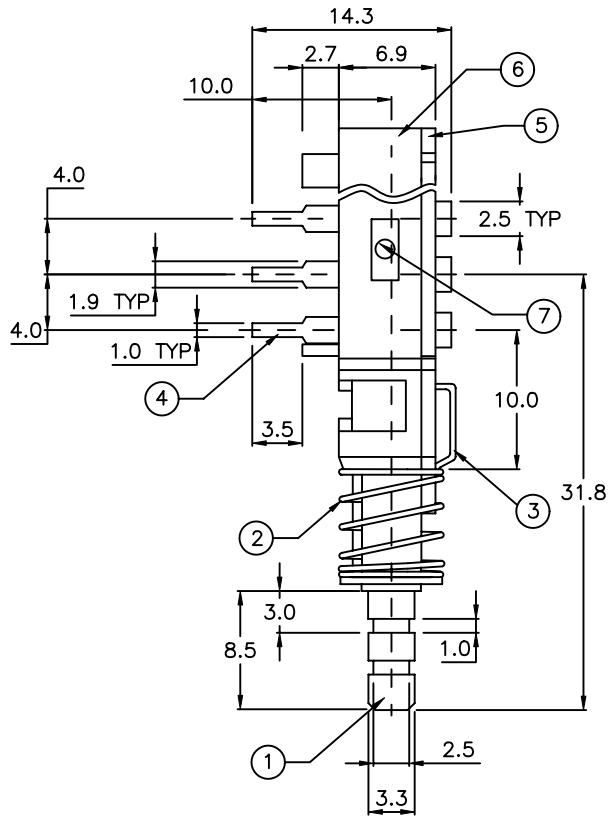


COMPONENT SPECIFICATION

USE OR REPRODUCTION OF THIS DRAWING FOR THE PURPOSE OF MANUFACTURING THIS ARTICLE OR ANY ARTICLES SHOWN FOR ANY PURPOSE IS STRICTLY PROHIBITED WITHOUT WRITTEN PERMISSION FROM SENIOR INDUSTRIES, INC.



NO. OF POLES:	2	4	6	8	10
L	24.5	36.5	48.5	60.5	72.5

7	CONTACTS	1	PBS	SILVER
6	BODY	1	PDM, BLUE	
5	BASE	1	PHENOLIC RESIN	
4	TERMINAL	6	BRASS	SILVER
3	HOOK	1	SUS	
2	SPRING	1	SUS	
1	ACTUATOR	1	PDM, WHITE	
ITEM	DESCRIPTION	QTY	MATERIAL	FINISH



DESIGNED:			SYM.	DATE:	DESCRIPTION OF REVISIONS:	DRAWN:	APPD:
DRAWN:	HV	10/08/97	▲	10.23.97	NEW	TF	JF
CHECKED:	TF	10/27/97	▲	06.28.05	New Index, PN corr to SPB-X-X-T; spec/PN blder	GAT	JF
APPROVED:	JF	10/27/97	▲	.			
			▲	.			
			▲	.			

TOLERANCE:	PART NO:	SPB-X-X-T
TO 1 DECIMAL PLACE: ±.3	TITLE:	PUSHBUTTON SWITCH
TO 2 DECIMAL PLACES: ±.12	SHEET:	1 OF 2
AS ANGLES: ± °		

3RD ANGLE		UNIT:	mm	SCALE:	1:1	REV.	B
-----------	--	-------	----	--------	-----	------	---

1

2

3

4

5

COMPONENT SPECIFICATION

USE OR REPRODUCTION OF THIS DRAWING FOR THE PURPOSE OF MANUFACTURING THIS ARTICLE OR ANY ARTICLES SHOWN FOR ANY PURPOSE IS STRICTLY PROHIBITED WITHOUT WRITTEN PERMISSION FROM SENIOR INDUSTRIES, INC.

SPECIFICATIONS

ELECTRICAL

CONTACT RATING: 0.5A @ 100VAC
0.2A @ 250VAC
1A Max. @ 25VDC
CONTACT RESISTANCE: 20 MILLIOHMS MAX.
INSULATION RESISTANCE: 100 MEGOHMS MIN. @ 500 VDC
DIELECTRIC STRENGTH: 500 VDC FOR 1 MINUTE

MECHANICAL

OPERATING LIFE: 10,000 CYCLES
OPERATING FORCE: 300 gf ±100gf - 500 gf ±100gf
CAP RETENTION: 2 LBS MIN.

ENVIRONMENTAL

OPERATING TEMPERATURE: -20°C TO +70°C
HEAT RESISTANCE: SOLDER AT 260°C, 5 SECONDS MAX.

PART NUMBER BUILDER:

SERIES SWITCH ACTION POLES
SPB - [Symbol] - [Symbol] - T
1 = MOMENTARY 2 = LATCHING
2 = 2PDT 4 = 4PDT 6 = 6PDT 8 = 8PDT 10 = 10PDT



SENIOR INDUSTRIES, INC.

Table with columns for DESIGNED, DRAWN, CHECKED, APPROVED, SYM, DATE, DESCRIPTION OF REVISIONS, DRAWN, APPD, TOLERANCE, PART NO, TITLE, SHEET, and 3RD ANGLE. Includes revision history and drawing details.