

1

2

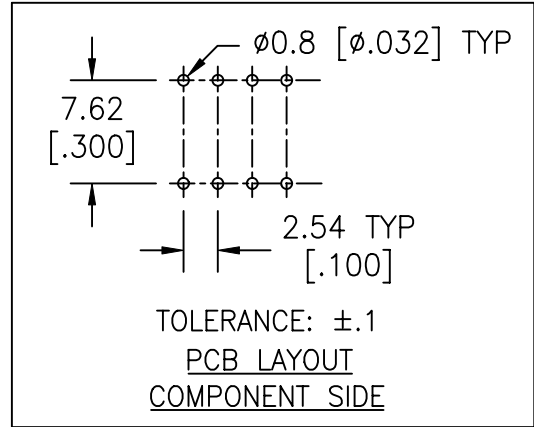
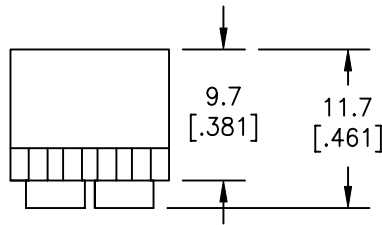
3

4

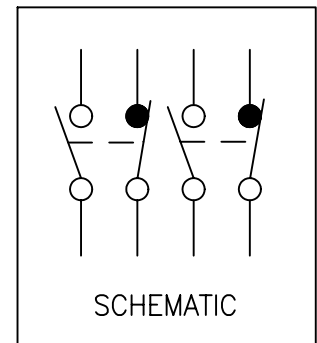
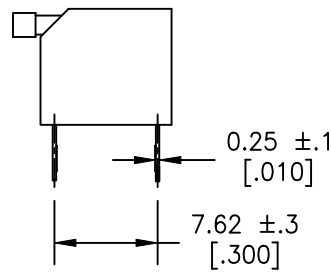
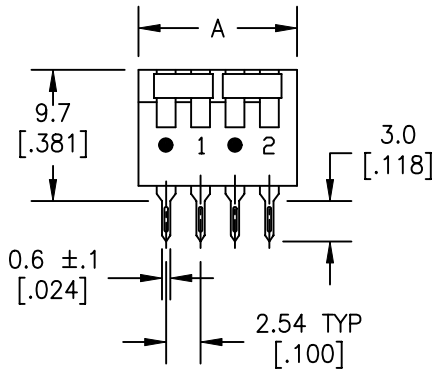
COMPONENT SPECIFICATION

USE OR REPRODUCTION OF THIS DRAWING FOR THE PURPOSE OF MANUFACTURING THIS ARTICLE OR ANY ARTICLES SHOWN FOR ANY PURPOSE IS STRICTLY PROHIBITED WITHOUT WRITTEN PERMISSION FROM SENIOR INDUSTRIES, INC.

A

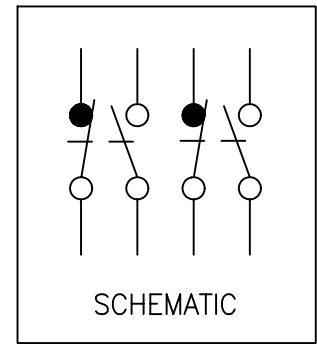
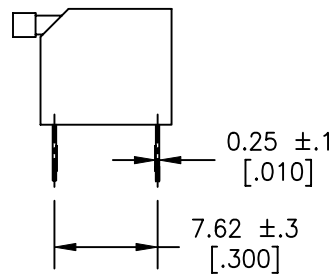
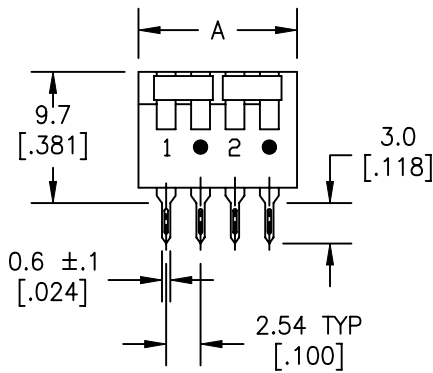


B



SRPG302SC SHOWN TOP SIDE OFF

C



SRPG302S1D SHOWN TOP SIDE ON

D

POSITIONS	1	2	3	4	5	6
A	6.7 [0.264]	11.7 [0.461]	16.7 [0.657]	21.7 [0.854]	26.7 [1.051]	31.8 [1.252]

E

DESIGNED:			SYM.	DATE:	DESCRIPTION OF REVISIONS:	DRAWN	APPD.	
DRAWN:	GAT	09/25/06	▲	09.25.06	NEW	GAT	JF	
CHECKED:	GAT	06/23/10	▲	.	Added opt D and rem'd A and B options to differ fr SRPG2XXXX	GAT	JF	
APPROVED:	JF	06/23/10	▲	.				
3RD ANGLE			UNIT:	mm[IN]	SCALE:	1:1	REV.	B



TOLERANCE:	PART NO:
TO 1 DECIMAL PLACE: ±.3	SRPG3XXXX
TO 2 DECIMAL PLACES: ±.2	TITLE:
AS ANGLES: ±1/2°	PIANO DIP SWITCH
SHEET:	1 OF 3

1

2

3

4

COMPONENT
SPECIFICATIONUSE OR REPRODUCTION OF THIS DRAWING FOR THE PURPOSE OF MANUFACTURING THIS
ARTICLE OR ANY ARTICLES SHOWN FOR ANY PURPOSE IS STRICTLY PROHIBITED WITHOUT
WRITTEN PERMISSION FROM SENIOR INDUSTRIES, INC.SPECIFICATIONSELECTRICAL:

ACTION: SPDT
 CONTACT RATING:
 SWITCHING: 25mA @ 24 VDC
 NON-SWITCHING: 100mA @ 50 VDC
 CONTACT RESISTANCE(INITIAL): 50 MILLIOHMS MAX.
 INSULATION RESISTANCE: 1000 MEGOHMS MIN. AT 100 VDC
 DIELECTRIC STRENGTH: 500 VDC MIN. FOR 1 MINUTE

MECHANICAL:

LIFE: 1000 CYCLES MIN.
 OPERATION FORCE: 800g MAX.

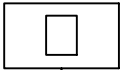

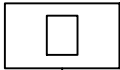

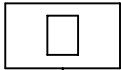
ENVIRONMENTAL:

OPERATING TEMPERATURE: -25°C TO 70°C
 STORAGE TEMPERATURE: -40°C TO +85°C
 PART SHALL WITHSTAND WAVE SOLDERING TEMPERATURE OF 260° FOR 5 SECONDS.


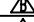

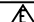
MATERIAL:

HOUSING: GLASS FILLED POLYESTER, UL94V-0
 TERMINALS: PHOSPHOR BRONZE, 0.25t
 PLATING: CONTACT AREA - GOLD PLATING OVER NICKEL
 TERMINATION AREA - GOLD OVER NICKEL

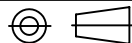
PART NUMBER BUILDER:

MODEL	TYPE	POSITIONS	ACTUATOR	SILKSCREEN	HOUSING COLOR
SRPG					
	3=SPDT	01 S =STANDARD (TOP SIDE 'OFF') 02 S1 =STANDARD (TOP SIDE 'ON') 03 ST =STANDARD (TOP SIDE 'OFF') 04 & TOP TAPE SEALED 05 ST1 =STANDARD (TOP SIDE 'ON') 06 & TOP TAPE SEALED		C (TOP SIDE 'OFF') FOR S OR ST ACTUATORS ONLY. D (TOP SIDE 'ON') FOR S1 OR ST1 ACTUATORS ONLY.	BLANK -BLUE 3 -BLACK

NOTE: CASE IS BLUE/BLACK WITH WHITE SWITCH ACTUATORS.

DESIGNED:			SYM.	DATE:	DESCRIPTION OF REVISIONS:	DRAWN	APPD.
DRAWN:	GAT	09/25/06		09.25.06	NEW	GAT	JF
CHECKED:	GAT	06/23/10		06.23.10	Added opt D and rem'd A and B options to differ fr SRPG2XXXX	GAT	JF
APPROVED:	JF	06/23/10		.	.		
				.	.		

3RD ANGLE



UNIT:

mm[IN]

SCALE:

REV.

B



TOLERANCE:

TO 1 DECIMAL PLACE: ±
 TO 2 DECIMAL PLACES: ±
 AS ANGLES: ± °

PART NO:

SRPG3XXXX

TITLE:

PIANO DIP SWITCH

SHEET:

2 OF 3

1

2

3

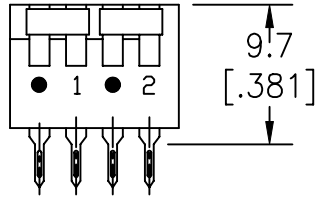
4

COMPONENT SPECIFICATION

USE OR REPRODUCTION OF THIS DRAWING FOR THE PURPOSE OF MANUFACTURING THIS ARTICLE OR ANY ARTICLES SHOWN FOR ANY PURPOSE IS STRICTLY PROHIBITED WITHOUT WRITTEN PERMISSION FROM SENIOR INDUSTRIES, INC.

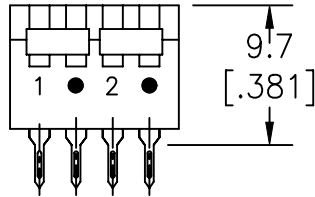
SILKSCREEN OPTIONS

C (TOP SIDE 'OFF')



(S OR ST ACTUATORS)

D (TOP SIDE 'ON')



(S1 OR ST1 ACTUATORS)

DESIGNED:			SYM.	DATE:	DESCRIPTION OF REVISIONS:	DRAWN	APPD.
DRAWN:	GAT	09/25/06	△	09.25.06	NEW	GAT	JF
CHECKED:	GAT	06/23/10	△	06.23.10	Added opt D and rem'd A and B options to differ fr SRPG2XXXX	GAT	JF
APPROVED:	JF	06/23/10	△	.			
			△	.			

3RD ANGLE		UNIT:	mm[IN]	SCALE:	1:1	REV.	B
-----------	--	-------	--------	--------	-----	------	---



SENIOR INDUSTRIES, INC.

TOLERANCE:

TO 1 DECIMAL PLACE:	±.3
TO 2 DECIMAL PLACES:	±.2
AS ANGLES:	±1/2°

PART NO:

SRPG3XXXX

TITLE:

PIANO DIP SWITCH

SHEET:

3 OF 3