

COMPONENT SPECIFICATION

USE OR REPRODUCTION OF THIS DRAWING FOR THE PURPOSE OF MANUFACTURING THIS ARTICLE OR ANY ARTICLES SHOWN FOR ANY PURPOSE IS STRICTLY PROHIBITED WITHOUT WRITTEN PERMISSION FROM SENIOR INDUSTRIES, INC.

SPECIFICATIONS

ELECTRICAL

CIRCUIT: SPST
 CONTACT RATING: 1A @ 250 VAC, 3A @ 125 VAC
 CONTACT RESISTANCE: 20 MILLIOHMS MAX.
 INSULATION RESISTANCE: 100 MEGOHMS MIN @ 500 VDC
 DIELECTRIC STRENGTH: 1,500 VRMS

MECHANICAL

OPERATING LIFE: 50,000 CYCLES

ENVIRONMENTAL

OPERATING TEMPERATURE: -30°C TO +85°C

MATERIAL

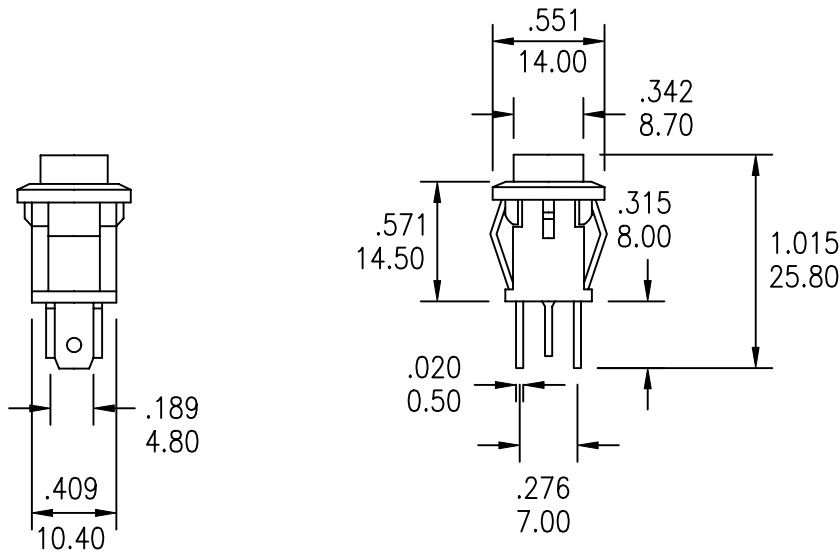
HOUSING: NYLON 66, UL94V-2
 ACTUATOR: GLASS FILLED NYLON
 CONTACTS/TERMINALS: COPPER ALLOY, SILVER PLATED


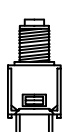
PART NUMBER BUILDER:

SERIES MODEL NO. CAP COLOR

SRP - -

- R18-28A 1 - BLUE
- R18-28B 2 - RED (STD)
- 3 - BLACK
- 4 - BROWN
- 5 - GREEN
- 6 - WHITE
- 7 - GRAY
- 8 - ORANGE
- 9 - YELLOW
- 0 - VIOLET



MODEL NO.	SWITCHING POSITION	
		
R18-28A	OFF	MOM
R18-28B	ON	MOM



SENIOR INDUSTRIES, INC.

DESIGNED:			SYM.	DATE:	DESCRIPTION OF REVISIONS:	DRAWN:	APPD:	TOLERANCE:	PART NO:	SRP-R18-28X-X
DRAWN:	RB	03/05/01		03.23.01	New	RB	JF	TO 1 DECIMAL PLACE: ±.2	TITLE:	PUSHBUTTON SWITCH
CHECKED:	GAT	02/01/07		02.01.07	Corrected housing material to Nylon 66	GAT	JF		TO 2 DECIMAL PLACES: ±.10	
APPROVED:	JF	02/01/07		.				AS ANGLES: ±1/2°	SHEET:	1 OF 1
3RD ANGLE		UNIT:	IN/mm	SCALE:	2:1	REV:	B			