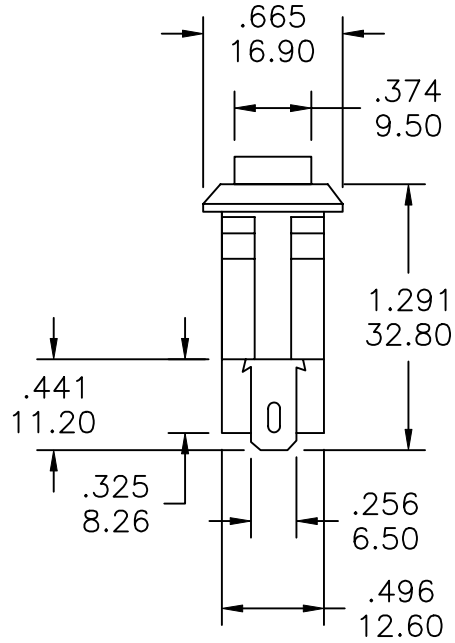
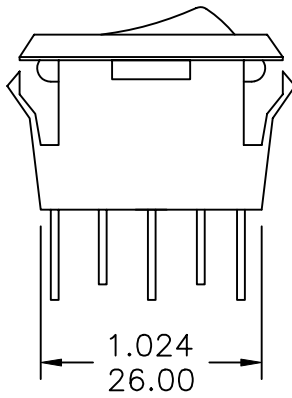
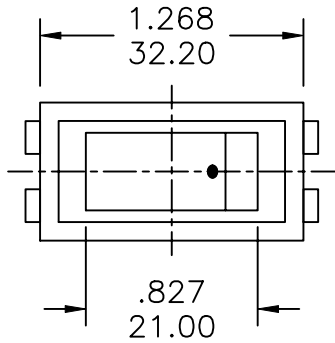


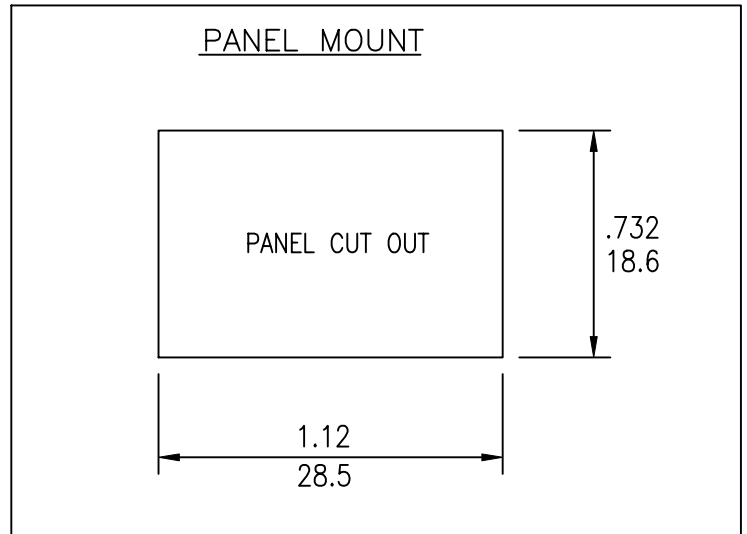
UNLESS OTHERWISE SPECIFIED, ALL DIMENSIONS ARE IN INCHES [MM].

TO 2 DECIMAL PLACE ±  
 TO 3 DECIMAL PLACES ±.010"  
 AS ANGLES ±

ISSUE	DATE
A	10/10/01
B	02/28/02
C	01/10/03



CIRCUIT	SWITCHING TYPE
SPST (ILLUMINATED)	ON - OFF



UNLESS OTHERWISE SPECIFIED, ALL DIMENSIONS ARE IN INCHES [MM].

TO 2 DECIMAL PLACE ±  
 TO 3 DECIMAL PLACES ±  
 AS ANGLES ±

ISSUE	DATE
A	10/10/01
B	02/28/02
C	01/10/03

SPECIFICATIONS

ELECTRICAL:

CONTACT RATING: 15A @ 125VAC, 10A @ 250VAC  
 CONTACT RESISTANCE: 10 MILLIOHMS MAX.  
 INSULATION RESISTANCE: 1,000 MEGOHMS MIN. AT 500 VDC  
 DIELECTRIC STRENGTH: 1,000 VRMS

MECHANICAL:

LIFE: 10,000 CYCLES

ENVIRONMENTAL

OPERATING TEMPERATURE: -30°C TO +85°C

MATERIAL:

HOUSING: NYLON 6/6, UL94V-0  
 ACTUATOR: POLYCARBONATE  
 CONTACT/TERMINALS: COPPER ALLOY, SILVER PLATED

REGULATORY:

UL AND CANADA RECOGNIZED COMPONENT. UL/CUL FILE NO. E173084.

PART NUMBER BUILDER:

SERIES	MODEL NO.	ACTUATOR COLOR	HOUSING COLOR
SRPR -	<input type="text" value=""/> <input type="text" value=""/> <input type="text" value=""/> <input type="text" value=""/> <input type="text" value=""/> <input type="text" value=""/> 916	- <input type="text" value=""/>	<input type="text" value=""/>
		1 - BLUE	1 - BLUE
		2 - RED	2 - RED
		3 - BLACK	3 - BLACK
		4 - BROWN	4 - BROWN
		5 - GREEN	5 - GREEN
		6 - WHITE	6 - WHITE
		7 - GRAY	7 - GRAY
		8 - ORANGE	8 - ORANGE
		9 - YELLOW	9 - YELLOW
		0 - VIOLET	0 - VIOLET



TITLE: POWER ROCKER SWITCH (ILLUMINATED)			PART NO: SRPR-916-XX	
DATE: 10/10/01	DRAWN: RB	CHKD: TF	SCALE:	SHEET: 2 OF 2