

COMPONENT SPECIFICATION

USE OR REPRODUCTION OF THIS DRAWING FOR THE PURPOSE OF MANUFACTURING THIS ARTICLE OR ANY ARTICLES SHOWN FOR ANY PURPOSE IS STRICTLY PROHIBITED WITHOUT WRITTEN PERMISSION FROM SENIOR INDUSTRIES, INC.

SPECIFICATIONS

ELECTRICAL:

CONTACT RATING: 20A@125VAC, 15A@250VAC
 CONTACT RESISTANCE: 20 MILLIOHMS MAX.
 INSULATION RESISTANCE: 1000 MEGOHMS MIN. @ 500 VDC
 DIELECTRIC STRENGTH: 1500V AC FOR 1 MINUTE

MECHANICAL:

OPERATING LIFE: 10,000 CYCLES

ENVIRONMENTAL:

OPERATING TEMPERATURE: -25°C TO +85°C

MATERIAL:

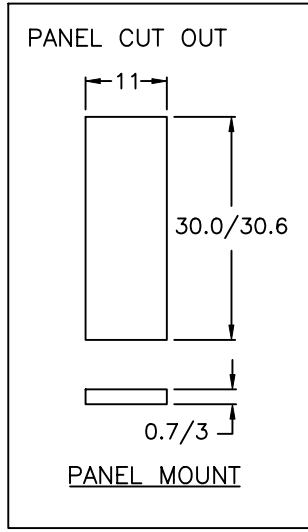
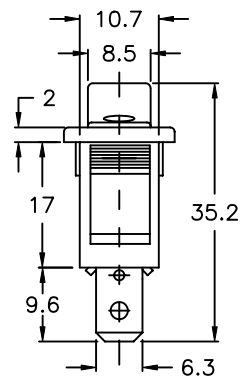
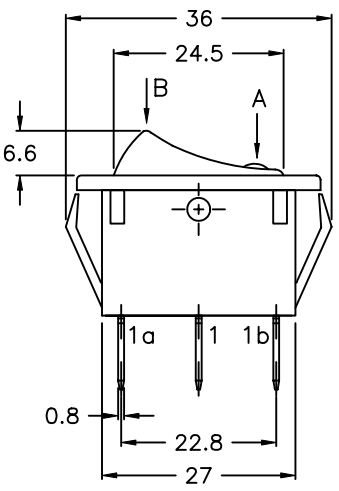
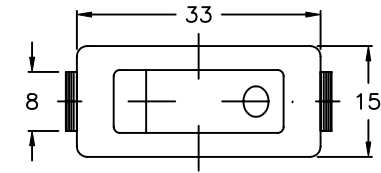
HOUSING AND ACTUATOR: NYLON 66, UL94V-0
 CONTACT: COPPER, SILVER PLATED
 TERMINALS: BRASS, SILVER PLATED

REGULATORY:

UL AND CANADA RECOGNIZED COMPONENT. UL/CUL FILE NO. E173084.

PART NUMBER BUILDER:

SERIES	MODEL NO.	ACTUATOR COLOR	HOUSING COLOR
SRPR -	<input type="checkbox"/> <input type="checkbox"/> <input type="checkbox"/> <input type="checkbox"/> <input type="checkbox"/>	<input type="checkbox"/>	<input type="checkbox"/>
	R901	1 - BLUE	1 - BLUE
	R901A	2 - RED	2 - RED
	R901B	3 - BLACK (STD)	3 - BLACK (STD)
		4 - BROWN	4 - BROWN
		5 - GREEN	5 - GREEN
		6 - WHITE(STD)	6 - WHITE(STD)
		7 - GRAY(STD)	7 - GRAY(STD)
		8 - ORANGE	8 - ORANGE
		9 - YELLOW	9 - YELLOW
		0 - VIOLET	0 - VIOLET



MODEL NO.	SWITCHING TYPE	SCHEMATIC
R901	SPST ON-OFF ILLUMINATED	
R901A	SPST ON-OFF	
R901B	SPST ON-ON	

POLE FUNCTION	OPTIONS OF FUNCTION		
	A	-	B
SPST	1-1a	-	OFF

DESIGNED:	DRAWN:	CHECKED:	APPROVED:	SYM.	DATE:	DESCRIPTION OF REVISIONS:	DRAWN:	APPD:
	GAT	GAT	JF		09.29.05	New	GAT	JF
					11.02.05	Material info added. Life corr to 10,000 cycles	GAT	JF
					.			
					.			
					.			

TOLERANCE:	PART NO.:	TITLE:	SHEET:
TO 1 DECIMAL PLACE: ±.4	SRPR-R901X-XX	POWER ROCKER SWITCH	1 OF 1
TO 2 DECIMAL PLACES: ±.25			
AS ANGLES: ±1/2°			

3RD ANGLE UNIT: mm SCALE: 1:1 REV. B