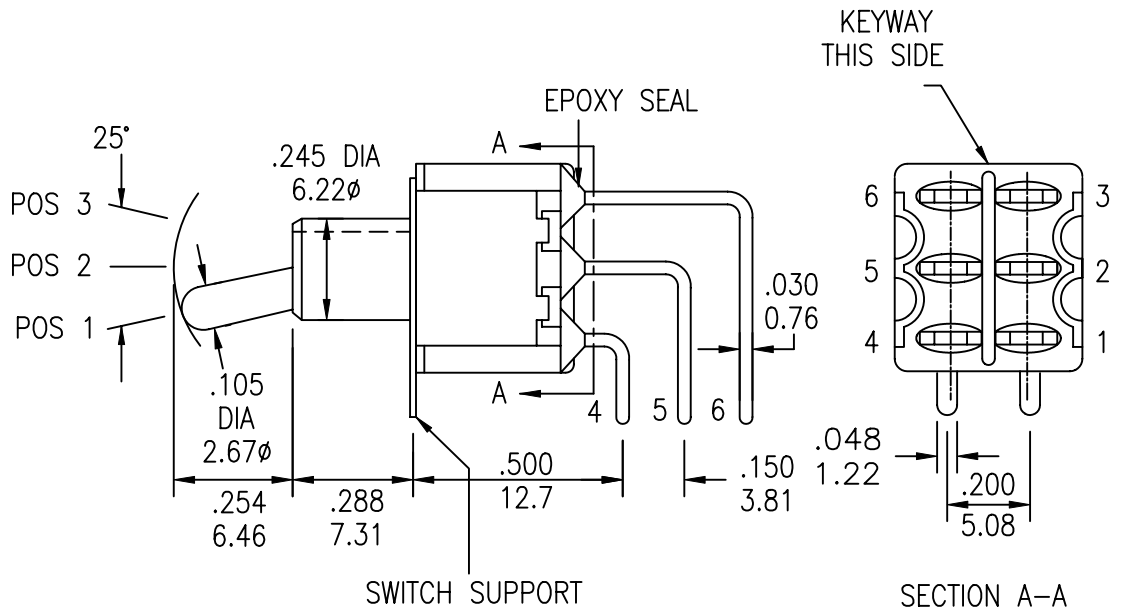
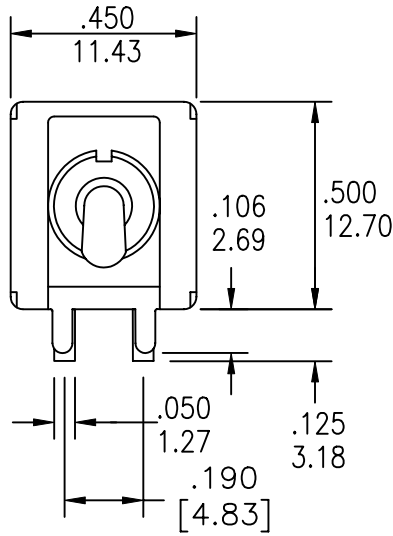


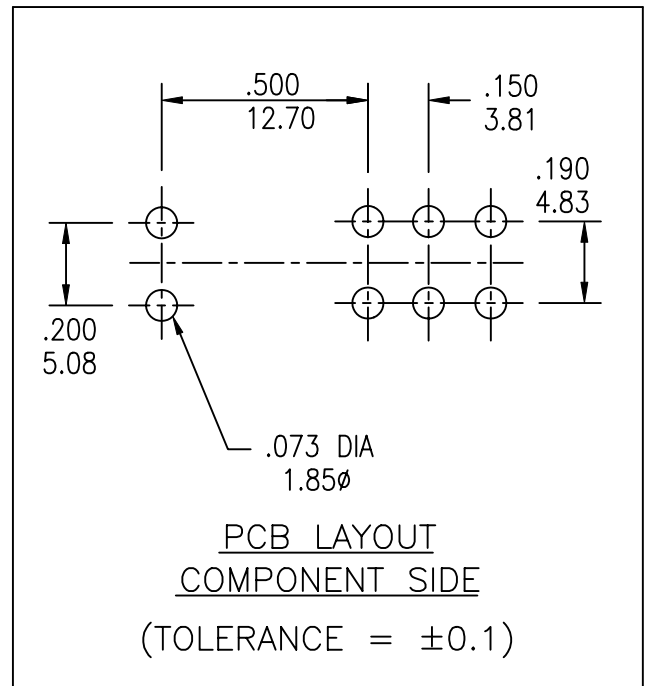
UNLESS OTHERWISE SPECIFIED, ALL DIMENSIONS ARE IN INCHES [MM].

TO 1 DECIMAL PLACE ±.2
 TO 2 DECIMAL PLACES ±.10
 AS ANGLES ±

ISSUE	DATE
B	03/28/01
C	09/30/04



MODEL NO.	SWITCHING POSITION		
8021L	ON	NONE	ON
8021LA	ON	NONE	MOM
8022L	ON	OFF	ON
8022LA	MOM	OFF	MOM
8022LB	ON	OFF	MOM
CONN. TERMS	2-3 5-6	OPEN	2-1 5-4
SCHMATIC	DPDT		



UNLESS OTHERWISE SPECIFIED, ALL DIMENSIONS ARE IN INCHES [MM].

TO 1 DECIMAL PLACE ±.2
 TO 2 DECIMAL PLACES ±.10
 AS ANGLES ±

ISSUE	DATE
B	03/28/01
C	09/30/04

SPECIFICATIONS

ELECTRICAL

CONTACT RATING:

SILVER: 5A @ 120 VAC OR 28 VDC, 2A @ 250 VAC

GOLD: 0.4 VA MAX. @ 20 V MAX. (AC OR DC)

CONTACT RESISTANCE: 10 MILLIOHMS MAX.

INSULATION RESISTANCE: 1,000 MEGOHMS MIN. AT 500 VDC

DIELECTRIC STRENGTH: 1,000 VRMS

MECHANICAL

LIFE: 40,000 CYCLES

ENVIRONMENTAL

OPERATING TEMPERATURE: -30°C TO +85°C

MATERIAL

CASE: DAP, UL94V-0

HOUSING: STAINLESS STEEL

ACTUATOR: BRASS, CHROME PLATED

BUSHING: BRASS, NICKEL PLATED

SUPPORT: BRASS, TIN PLATED

CONTACT/TERMINALS: COPPER ALLOY, SILVER OR GOLD PLATED

REGULATORY

UL AND CANADA RECOGNIZED COMPONENT. UL/CUL FILE NO. E173084.

PART NUMBER BUILDER:

SERIES	MODEL NO.	ACTUATOR	BUSHING	TERMINATION	CONTACT PLATING	SEAL
SRPT	□□□□□	□	□	□	□	□
	8021L	S (STD)	BLANK (Z/Z1 ONLY)		Q (SILVER)	BLANK
	8021LA	T	E (STD - THD)		R (GOLD)	E (EPOXY)
	8022L	T1	M (STD - NON-THD)			
	8022LA	X (LONG)	E1 (STD - THD)		C (PC MOUNT)	
	8022LB	W (LONG)	M1 (STD - NON-THD)			
		V (LONG)	F (THD)			
		U (FLATTED)	N (NON-THD)			
		Z (LARGE TOGGLE)	G (HIGH TORQUE)			
		Z1 (LARGE)	H (HIGH TORQUE)			
		Y (PLASTIC)	J (LONG)			
			K (METRIC)			
			L (SPLASH-PROOF)			



TITLE: SRPT 8021L/8022L TOGGLE SWITCHES

PART NO: SEE CHART

DATE: 03/05/01

DRAWN: RB

CHKD:

SCALE: N/A

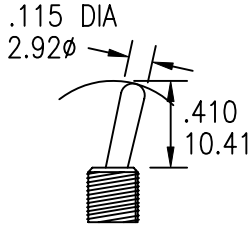
SHEET: 2 OF 5

UNLESS OTHERWISE SPECIFIED, ALL DIMENSIONS ARE IN INCHES [MM].

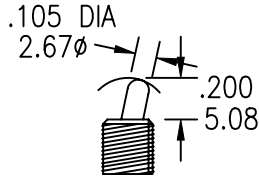
TO 1 DECIMAL PLACE ±.2
 TO 2 DECIMAL PLACES ±.10
 AS ANGLES ±

ISSUE	DATE
B	03/28/01
C	09/30/04

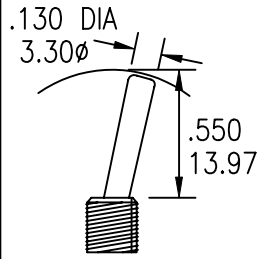
ACTUATOR OPTIONS



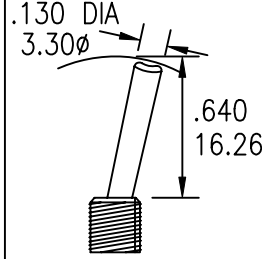
S (STD)



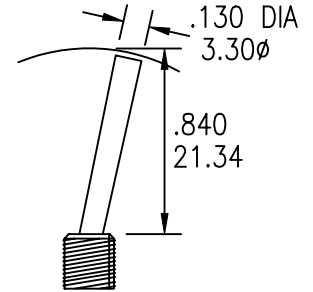
T



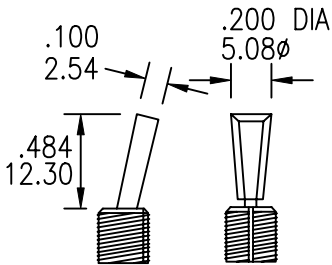
X (LONG)



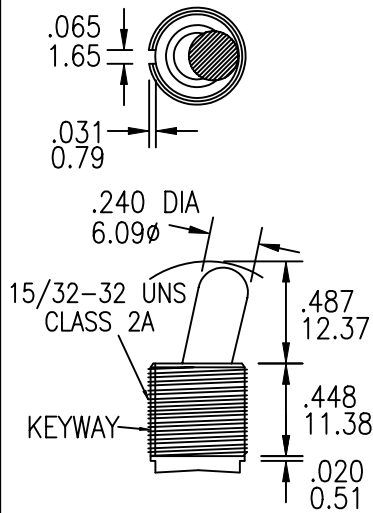
W (LONG)



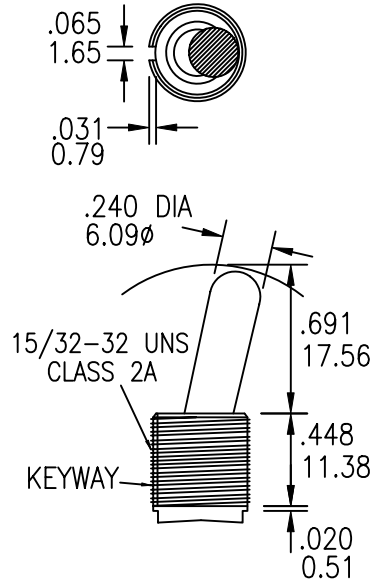
V (LONG)



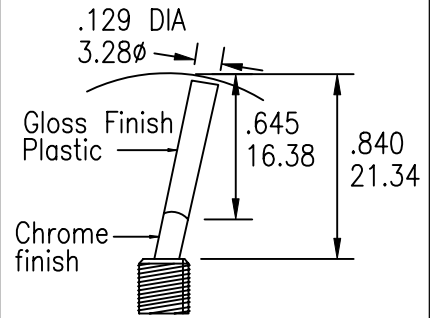
U (FLATTED)



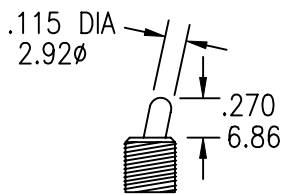
Z (LARGE TOGGLE)



Z1

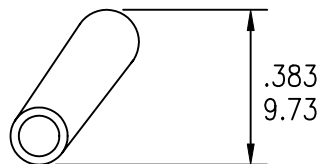


Y (PLASTIC)

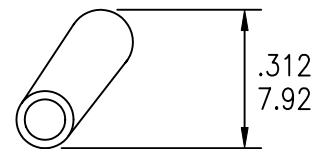


T1

NOTE: OPTIONAL TOGGLE CAP AVAILABLE.



STD FOR S OPTION



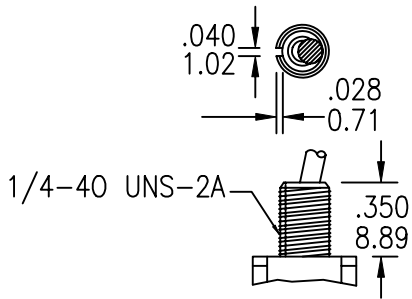
STD FOR T OPTION

UNLESS OTHERWISE SPECIFIED, ALL DIMENSIONS ARE IN INCHES [MM].

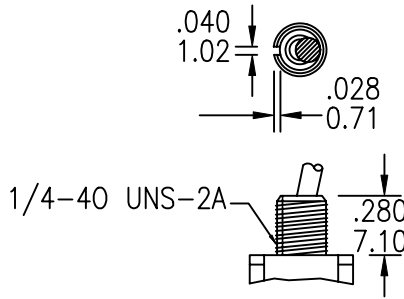
TO 1 DECIMAL PLACE ±.2
 TO 2 DECIMAL PLACES ±.10
 AS ANGLES ±

ISSUE	DATE
B	03/28/01
C	09/30/04

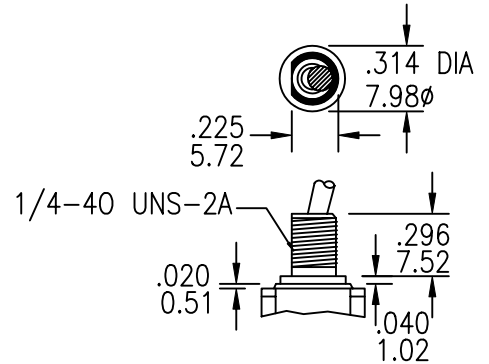
BUSHING OPTIONS



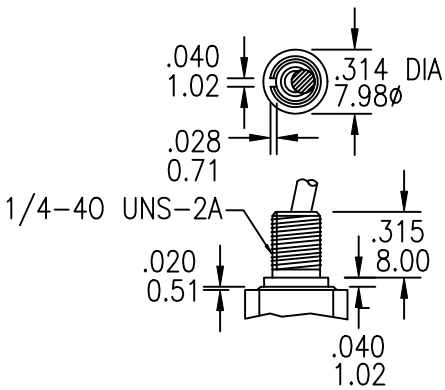
E (STD THD)
 M (STD NON-THD)



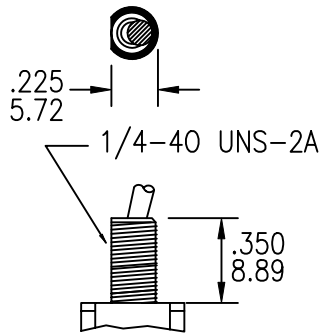
F (THD)
 N (NON-THD)



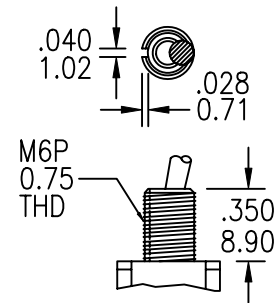
G (HIGH TORQUE)



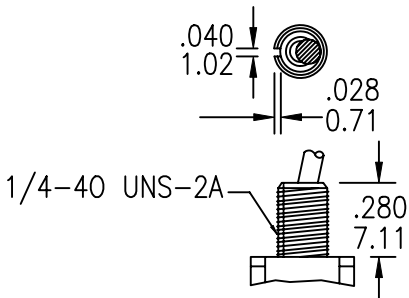
H (HIGH TORQUE)



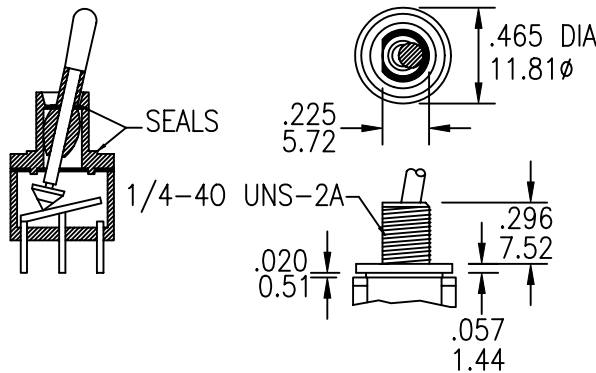
J (LONG)



K (METRIC)

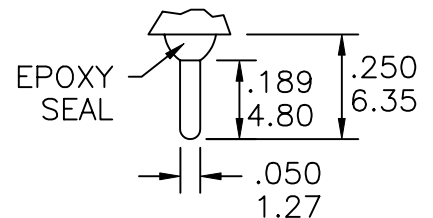


E1 (STD - THD)
 M1 (STD - NON-THD)



L (SPLASH-PROOF)

TERMINATION



.030 (0.76) THK.

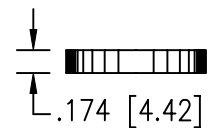
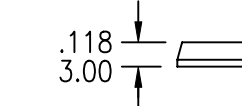
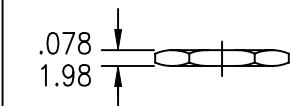
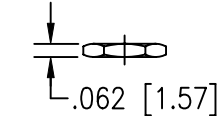
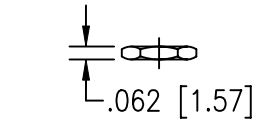
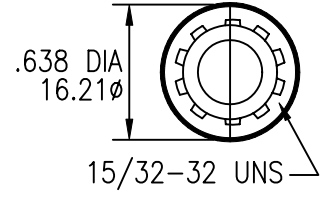
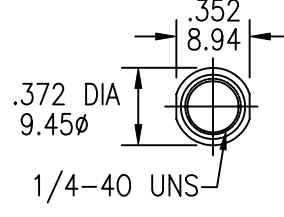
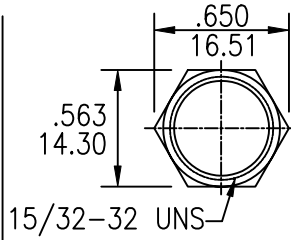
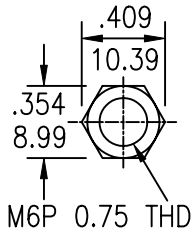
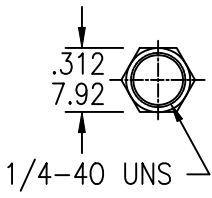
C (PC MOUNT)

UNLESS OTHERWISE SPECIFIED, ALL DIMENSIONS ARE IN INCHES [MM].

TO 1 DECIMAL PLACE ±.2
 TO 2 DECIMAL PLACES ±.10
 AS ANGLES ±

ISSUE	DATE
B	03/28/01
C	09/30/04

STANDARD NUTS



STD FOR E, F, G, H, AND L OPTIONS

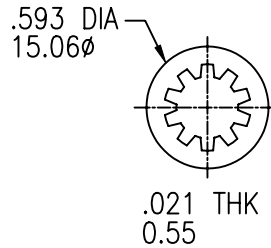
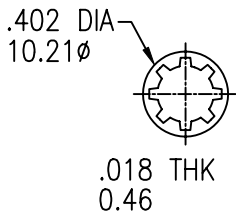
STD FOR K OPTION

STD FOR Z AND Z1 OPTIONS

DRESS NUT

KNURLED

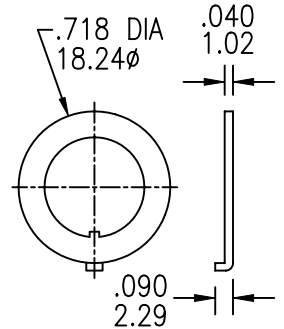
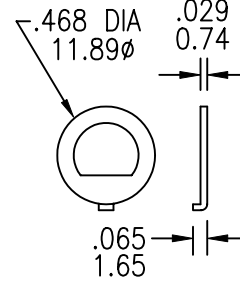
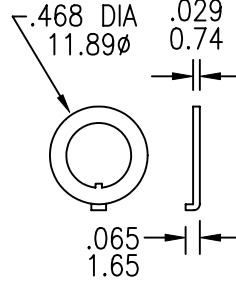
LOCK WASHER



STD

STD FOR Z AND Z1 OPTIONS

LOCKING RING

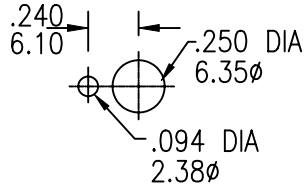
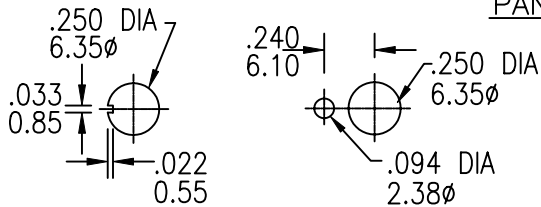


STD

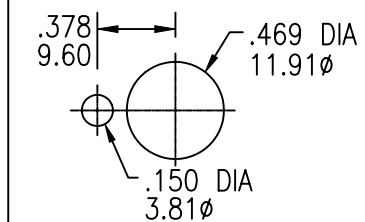
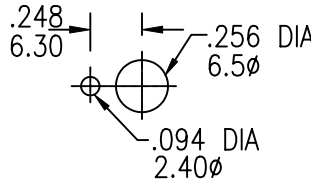
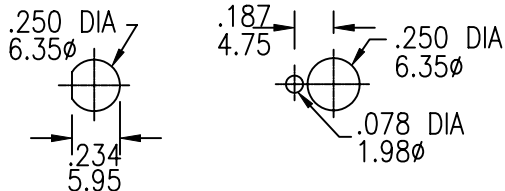
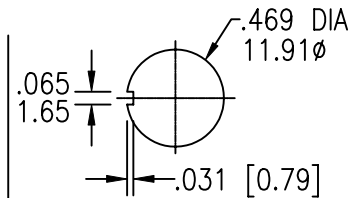
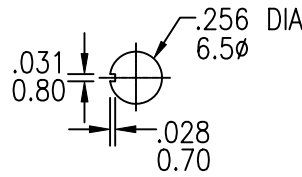
STD FOR G AND J OPTIONS.

STD FOR Z AND Z1 OPTIONS.

PANEL MOUNTING



FOR BUSHING E, M, F, N, AND H OPTIONS



FOR BUSHING G, J, AND L OPTIONS

FOR BUSHING K OPTION

FOR ACTUATOR Z AND Z1 OPTIONS



TITLE: SRPT 8021L/8022L TOGGLE SWITCHES

PART NO: SEE CHART

DATE: 03/05/01

DRAWN: RB

CHKD:

SCALE: N/A

SHEET: 5 OF 5