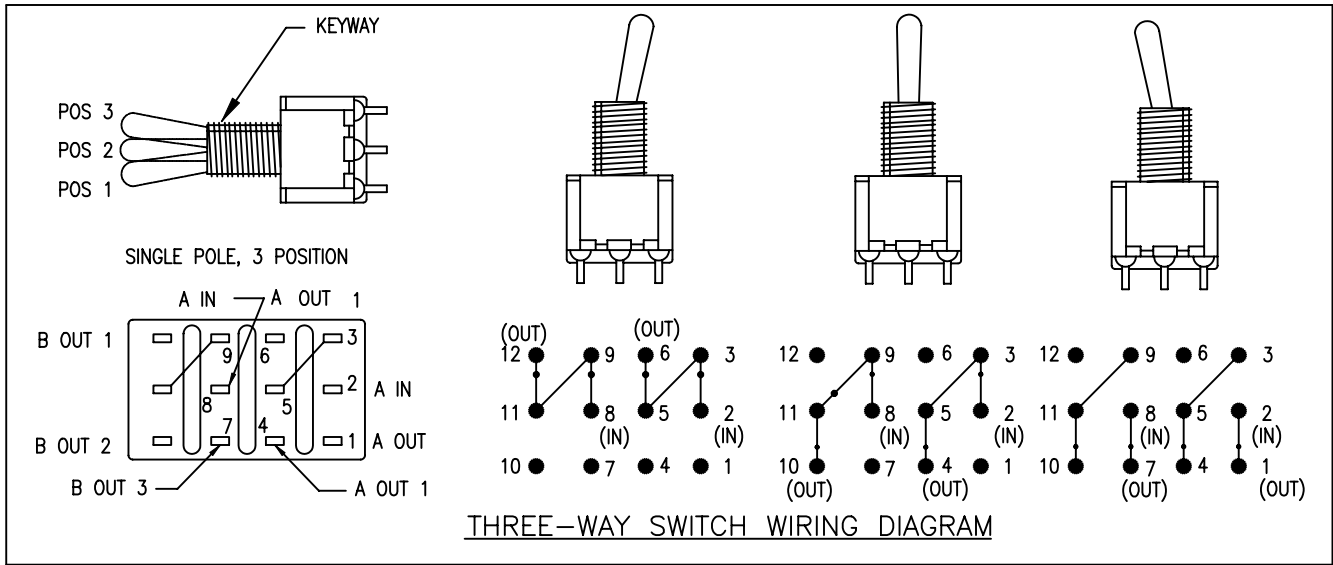
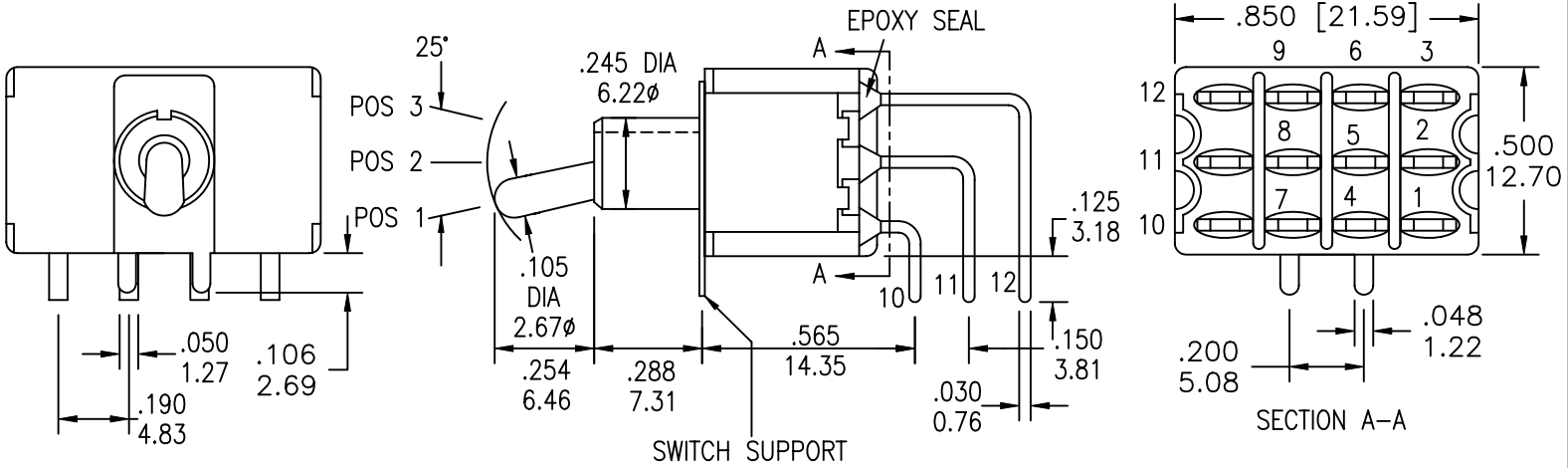


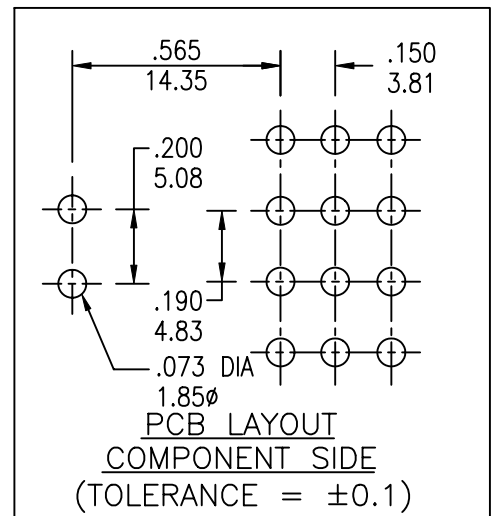
UNLESS OTHERWISE SPECIFIED, ALL DIMENSIONS ARE IN INCHES [MM].

TO 1 DECIMAL PLACE ±.2  
 TO 2 DECIMAL PLACES ±.10  
 AS ANGLES ±

ISSUE	DATE
A	03/05/01
B	09/30/04



MODEL NO.	SWITCHING POSITION		
845	ON	ON	ON
847	MOM	ON	MOM
849	ON	ON	MOM
CONN. TERMS	2-3, 5-6 8-9, 11-12	2-3, 5-4 8-9, 11-10	2-1, 5-4 8-7, 11-10



UNLESS OTHERWISE SPECIFIED, ALL DIMENSIONS ARE IN INCHES [MM].

TO 1 DECIMAL PLACE ±.2  
 TO 2 DECIMAL PLACES ±.10  
 AS ANGLES ±

ISSUE	DATE
A	03/05/01
B	09/30/04

SPECIFICATIONS

ELECTRICAL

CONTACT RATING:

SILVER: 5A @ 120 VAC OR 28 VDC, 2A @ 250 VAC  
 GOLD: 0.4 VA MAX. @ 20 V MAX. (AC OR DC)

CONTACT RESISTANCE: 10 MILLIOHMS MAX.

INSULATION RESISTANCE: 1,000 MEGOHMS MIN. AT 500 VDC

DIELECTRIC STRENGTH: 1,000 VRMS

MECHANICAL

LIFE: 40,000 CYCLES

ENVIRONMENTAL

OPERATING TEMPERATURE: -30°C TO +85°C

MATERIAL

CASE: DAP, UL94V-0  
 HOUSING: STAINLESS STEEL  
 ACTUATOR: BRASS, CHROME PLATED  
 BUSHING: BRASS, NICKEL PLATED  
 SUPPORT: BRASS, TIN PLATED  
 CONTACT/TERMINALS: COPPER ALLOY, SILVER OR GOLD PLATED

REGULATORY

UL AND CANADA RECOGNIZED COMPONENT. UL/CUL FILE NO. E173084.

PART NUMBER BUILDER:

SERIES	MODEL NO.	ACTUATOR	BUSHING	TERMINATION	CONTACT PLATING	SEAL
SRPT -	<input type="text" value=""/> <input type="text" value=""/> <input type="text" value=""/> <input type="text" value=""/> <input type="text" value=""/> <input type="text" value=""/>	-	<input type="text" value=""/>	<input type="text" value=""/>	<input type="text" value=""/>	<input type="text" value=""/>
	845	S (STD)	BLANK (Z/Z1 ONLY)		Q (SILVER)	BLANK
	847	T	E (STD - THD)		R (GOLD)	E (EPOXY)
	849	T1	M (STD - NON-THD)	C (PC MOUNT)		
		X (LONG)	E1 (STD - THD)			
		W (LONG)	M1 (STD - NON-THD)			
		V (LONG)	F (THD)			
		U (FLATTED)	N (NON-THD)			
		Z (LARGE TOGGLE)	G (HIGH TORQUE)			
		Z1 (LARGE)	H (HIGH TORQUE)			
		Y (PLASTIC)	J (LONG)			
			K (METRIC)			
			L (SPLASH-PROOF)			



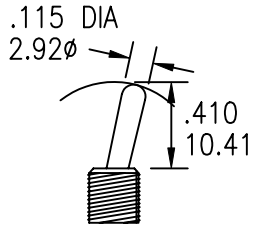
TITLE: TOGGLE SWITCHES		PART NO: SRPT-84X-XXXXX		
DATE: 03/05/01	DRAWN: RB	CHKD:	SCALE: N/A	SHEET: 2 OF 5

UNLESS OTHERWISE SPECIFIED, ALL DIMENSIONS ARE IN INCHES [MM].

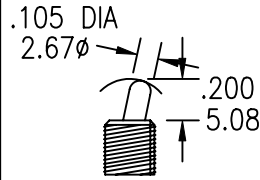
TO 1 DECIMAL PLACE ±.2  
 TO 2 DECIMAL PLACES ±.10  
 AS ANGLES ±

ISSUE	DATE
A	03/05/01
B	09/30/04

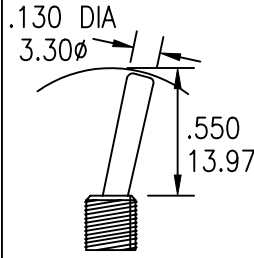
ACTUATOR OPTIONS



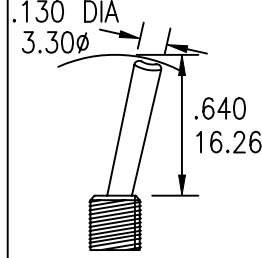
S (STD)



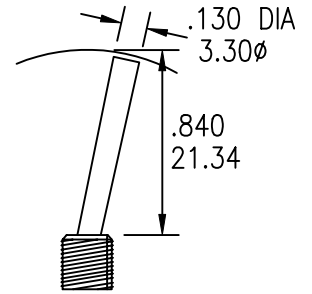
T



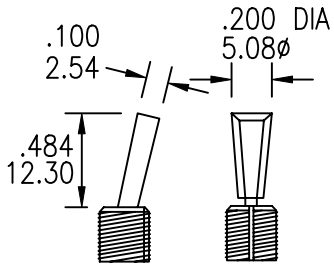
X (LONG)



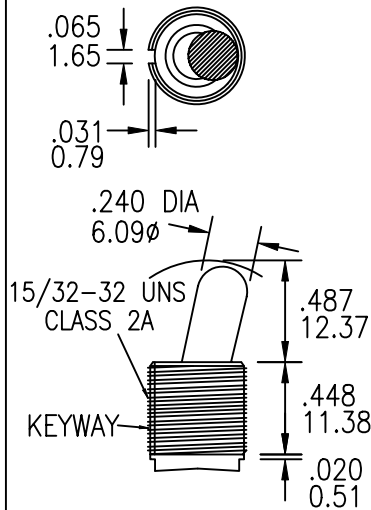
W (LONG)



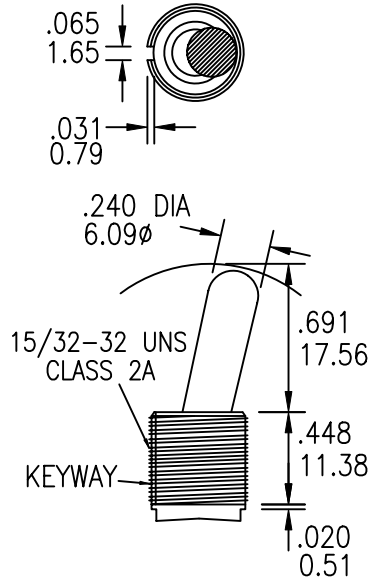
V (LONG)



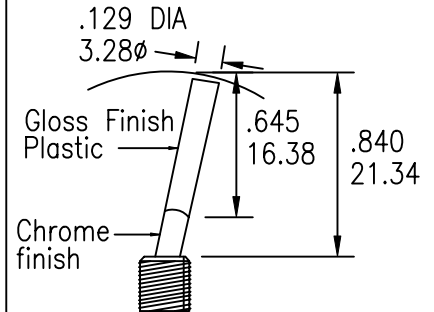
U (FLATTED)



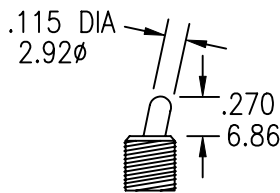
Z (LARGE TOGGLE)



Z1

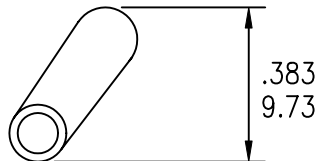


Y (PLASTIC)

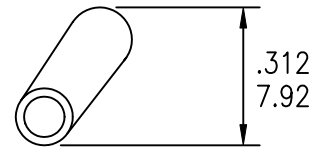


T1

NOTE: OPTIONAL TOGGLE CAP AVAILABLE.



STD FOR S OPTION



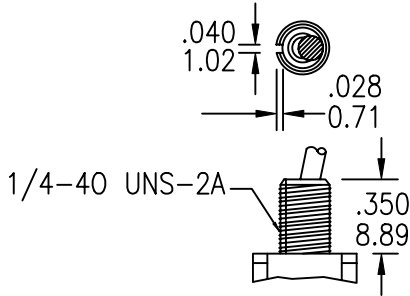
STD FOR T OPTION

UNLESS OTHERWISE SPECIFIED, ALL DIMENSIONS ARE IN INCHES [MM].

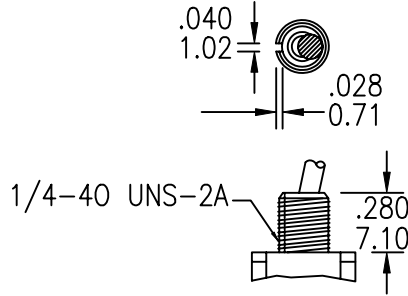
TO 1 DECIMAL PLACE ±.2  
 TO 2 DECIMAL PLACES ±.10  
 AS ANGLES ±

ISSUE	DATE
A	03/05/01
B	09/30/04

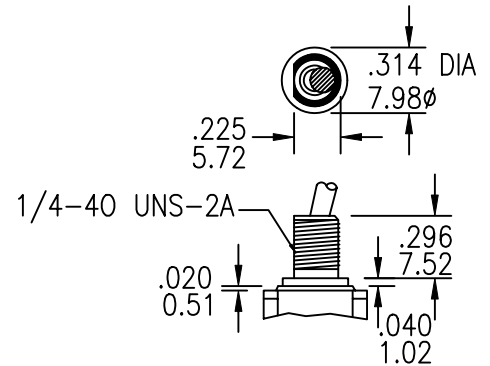
BUSHING OPTIONS



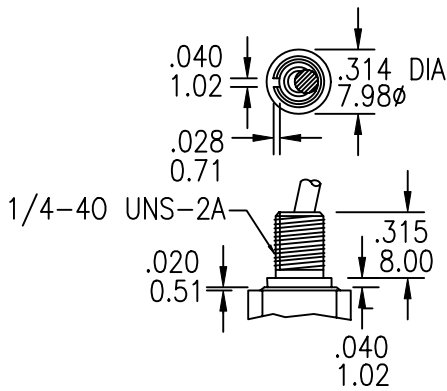
E (STD THD)  
 M (STD NON-THD)



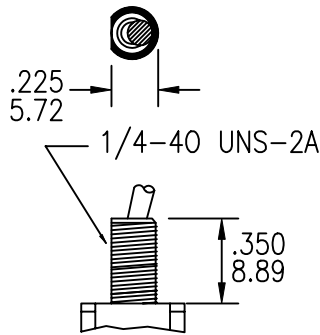
F (THD)  
 N (NON-THD)



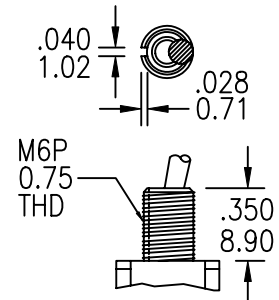
G (HIGH TORQUE)



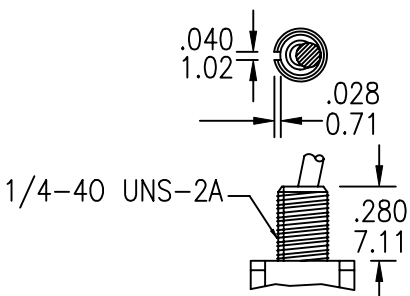
H (HIGH TORQUE)



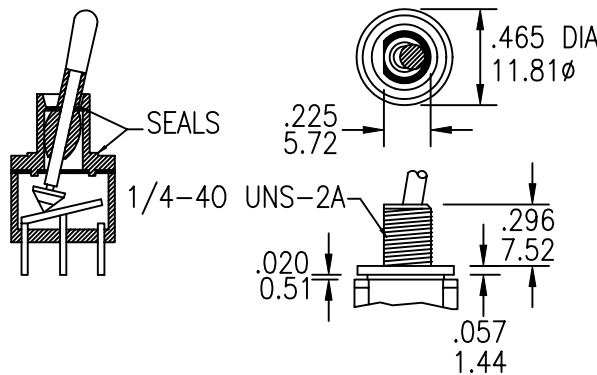
J (LONG)



K (METRIC)

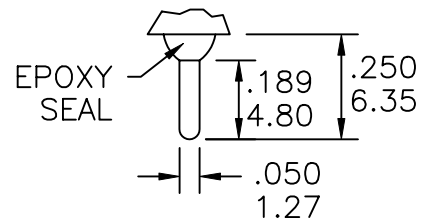


E1 (STD - THD)  
 M1 (STD - NON-THD)



L (SPLASH-PROOF)

TERMINATION



.030 (0.76) THK.

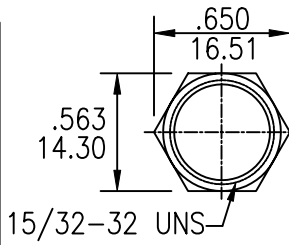
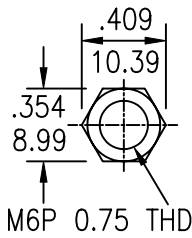
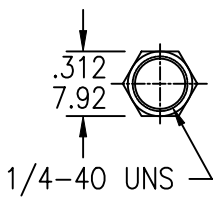
C (PC MOUNT)

UNLESS OTHERWISE SPECIFIED, ALL DIMENSIONS ARE IN INCHES [MM].

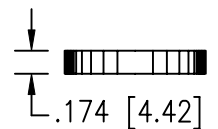
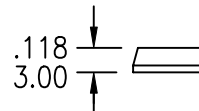
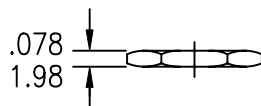
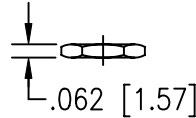
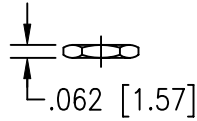
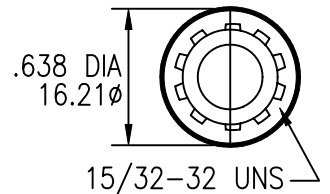
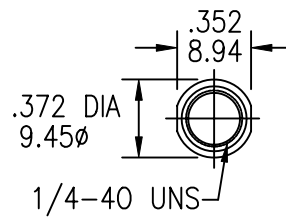
TO 1 DECIMAL PLACE ±.2  
 TO 2 DECIMAL PLACES ±.10  
 AS ANGLES ±

ISSUE	DATE
A	03/05/01
B	09/30/04

STANDARD NUTS



OPTIONAL NUTS



STD FOR E, F, G, H, AND L OPTIONS

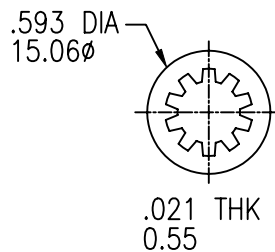
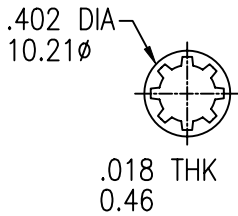
STD FOR K OPTION

STD FOR Z AND Z1 OPTIONS

DRESS NUT

KNURLED

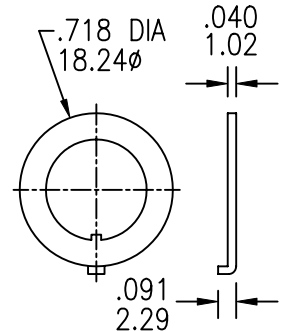
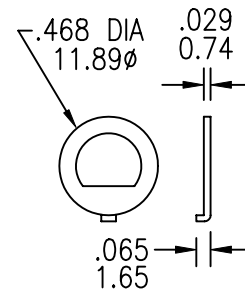
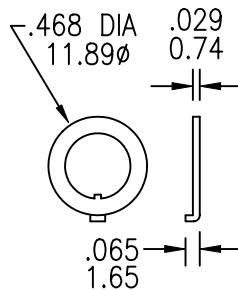
LOCK WASHER



STD

STD FOR Z AND Z1 OPTIONS

LOCKING RING

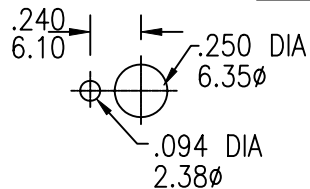
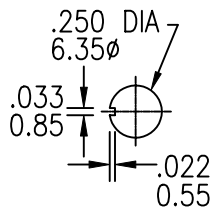


STD

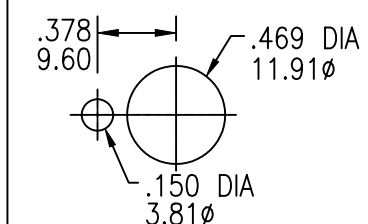
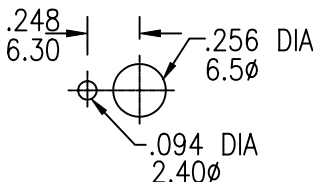
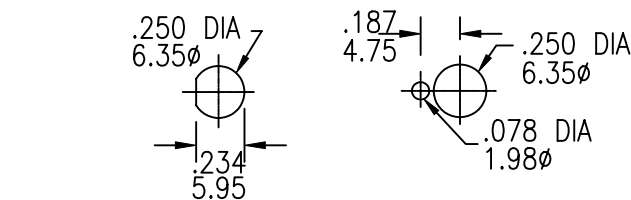
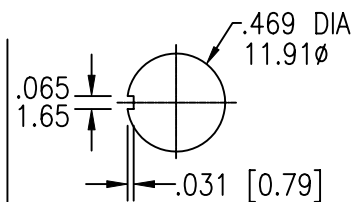
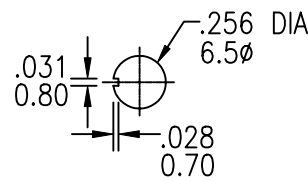
STD FOR G AND J OPTIONS.

STD FOR Z AND Z1 OPTIONS.

PANEL MOUNTING



FOR BUSHING E, M, F, N, AND H OPTIONS



FOR BUSHING G, J, AND L OPTIONS

FOR BUSHING K OPTION

FOR ACTUATOR Z AND Z1 OPTIONS



TITLE: TOGGLE SWITCHES

PART NO: SRPT-84X-XXXXX

DATE: 03/05/01

DRAWN: RB

CHKD:

SCALE: N/A

SHEET: 5 OF 5