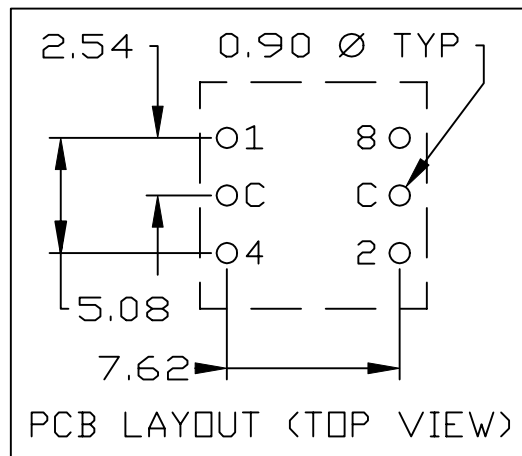
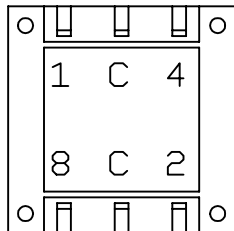
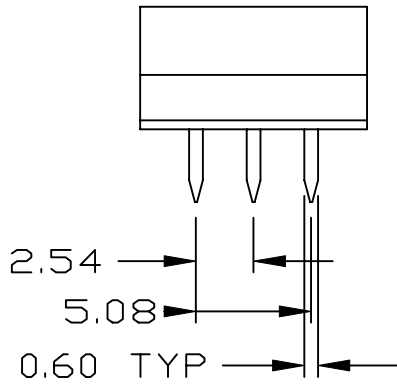
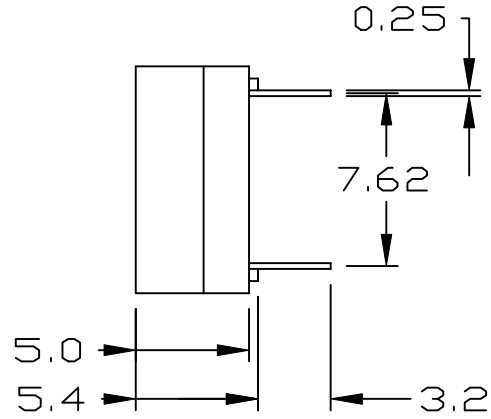
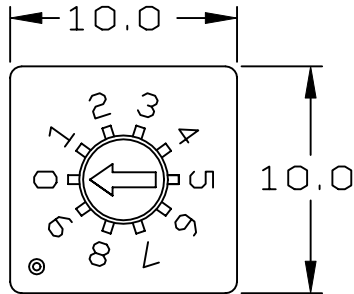


USE OR REPRODUCTION OF THIS DRAWING FOR THE PURPOSE OF MANUFACTURING THIS ARTICLE OR ANY ARTICLES SHOWN FOR ANY PURPOSE IS STRICTLY PROHIBITED WITHOUT WRITTEN PERMISSION FROM SENIOR INDUSTRIES, INC.

CUSTOMER SPECIFICATION DRAWING



USE OR REPRODUCTION OF THIS DRAWING FOR THE PURPOSE OF MANUFACTURING THIS ARTICLE OR ANY ARTICLES SHOWN FOR ANY PURPOSE IS STRICTLY PROHIBITED WITHOUT WRITTEN PERMISSION FROM SENIOR INDUSTRIES, INC.

CUSTOMER SPECIFICATION DRAWING

R
REAL

C
COMPLEMENT

POSITION	COMMON C		CONTACTED Ⓞ		
	1	2	4	8	C
0					Ⓞ
1	Ⓞ				Ⓞ
2		Ⓞ			Ⓞ
3	Ⓞ	Ⓞ			Ⓞ
4			Ⓞ		Ⓞ
5	Ⓞ		Ⓞ		Ⓞ
6		Ⓞ	Ⓞ		Ⓞ
7	Ⓞ	Ⓞ	Ⓞ		Ⓞ
8				Ⓞ	Ⓞ
9	Ⓞ			Ⓞ	Ⓞ

POSITION	COMMON C		CONTACTED Ⓞ		
	1	2	4	8	C
0	Ⓞ	Ⓞ	Ⓞ	Ⓞ	Ⓞ
1		Ⓞ	Ⓞ	Ⓞ	Ⓞ
2	Ⓞ		Ⓞ	Ⓞ	Ⓞ
3			Ⓞ	Ⓞ	Ⓞ
4	Ⓞ	Ⓞ		Ⓞ	Ⓞ
5		Ⓞ		Ⓞ	Ⓞ
6	Ⓞ			Ⓞ	Ⓞ
7				Ⓞ	Ⓞ
8	Ⓞ	Ⓞ	Ⓞ		Ⓞ
9		Ⓞ	Ⓞ		Ⓞ

SPECIFICATIONS:

OPERATING VOLTAGE: 24VDC MAX.
 SWITCHING CURRENT: 100mA MAX.
 CARRYING CURRENT: 0.5A MAX.
 CONTACT RESISTANCE: 100 MILLIOHMS MAX.
 INSULATION RESISTANCE: 1,000 MEGOHMS MIN.
 DIELECTRIC STRENGTH: 300VAC FOR 1 MINUTE
 OPERATING TEMPERATURE: -10° C TO 70° C
 LIFE: 10,000 CYCLES MIN.



SENIOR INDUSTRIES, INC.

TITLE: ROTARY DIP SWITCH		PART NO: SRRDU2F10R	
DATE: 07/18/97	DRAWN: HV	REV: A	SCALE: N/A
SHEET: 2 OF 2			