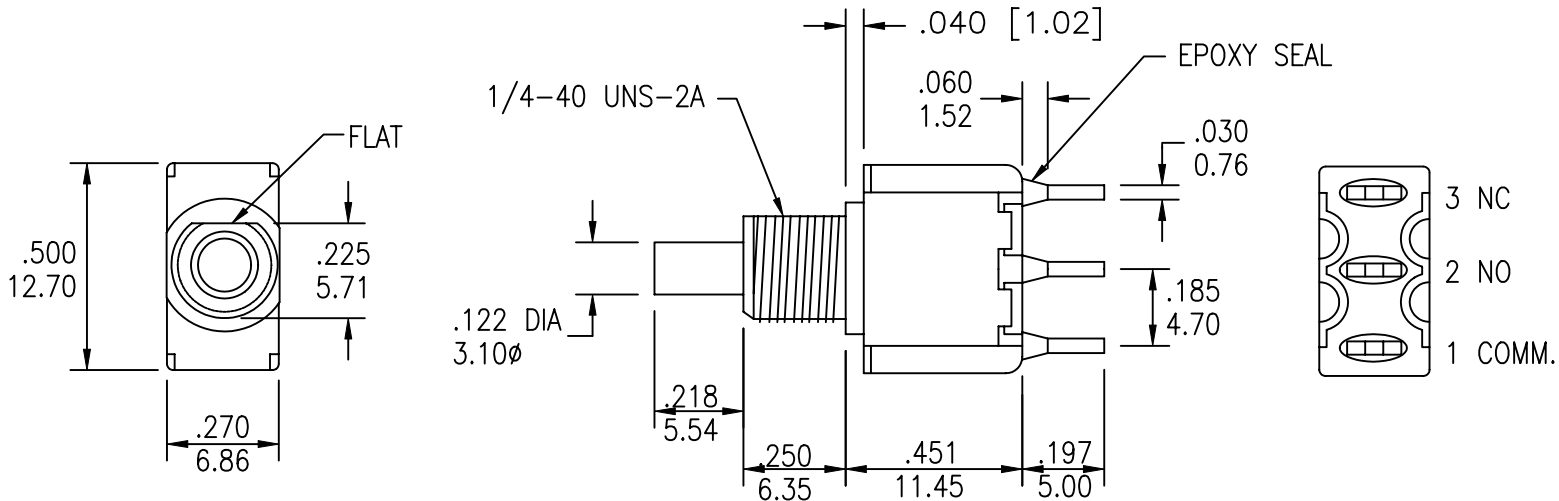


UNLESS OTHERWISE SPECIFIED, ALL DIMENSIONS ARE IN INCHES [MM].

TO 1 DECIMAL PLACE ±.2
 TO 2 DECIMAL PLACES ±.10
 AS ANGLES ±

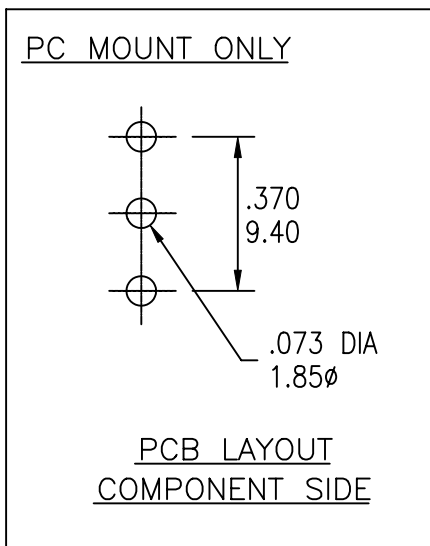
ISSUE	DATE
A	03/20/01
B	10/05/04
C	09/11/08
D	02/18/09



SRSA-8701-TBXE SHOWN

MODEL NO.	SWITCHING POSITION	
	8701	ON
CONN. TERMS	1-3	1-2
SCHEMATIC	SPDT	

NON-SHORTING TYPE



UNLESS OTHERWISE SPECIFIED, ALL DIMENSIONS ARE IN INCHES [MM].

TO 1 DECIMAL PLACE ±.2
 TO 2 DECIMAL PLACES ±.10
 AS ANGLES ±

ISSUE	DATE
A	03/20/01
B	10/05/04
C	09/11/08
D	02/18/09

SPECIFICATIONS

ELECTRICAL

CONTACT RATING:

SILVER: 3A @ 120 VAC OR 28 VDC, 1A @ 250 VAC

GOLD: 0.4 VA MAX. @ 20 V MAX. (AC OR DC)

CONTACT RESISTANCE: 20 MILLIOHMS MAX.

INSULATION RESISTANCE: 1,000 MEGOHMS MIN. AT 500 VDC

DIELECTRIC STRENGTH: 1,000 VRMS

MECHANICAL

LIFE: 50,000 CYCLES

ENVIRONMENTAL

OPERATING TEMPERATURE: -30°C TO +85°C

MATERIAL

CASE: DAP, UL94V-0

HOUSING: STAINLESS STEEL

ACTUATOR: GLASS FILLED NYLON

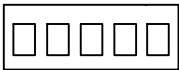
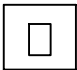
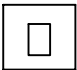
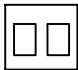

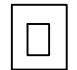
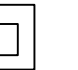
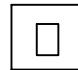

BUSHING: BRASS, NICKEL PLATED

CONTACT/TERMINALS: COPPER ALLOY, SILVER OR GOLD PLATED

REGULATORY

UL AND CANADA RECOGNIZED COMPONENT. UL/CUL FILE NO. E173084.

PART NUMBER BUILDER:

SERIES	MODEL NO.	ACTUATOR CAP / BUSHING	CAP	FRAME COLOR	CAP COLOR	TERMINATION	CONTACT PLATING	SEAL	VERTICAL SUPPORT BRACKET
SRSA	-  -								
	8701	BLANK (KEYWAY, STD-THD) U (KEYWAY, NON-THD) T (FLAT, STD-THD) V (FLAT, NON-THD) F21A F22A F23A	BLANK C1 C2 C3	BLANK 1 - BLUE 2 - RED 3 - BLACK 4 - BROWN 5 - GREEN 6 - WHITE 7 - GRAY 8 - ORANGE 9 - YELLOW 0 - VIOLET		B (SOLDER LUG) C (PC MOUNT) A4 (RIGHT ANGLE) (U STD) A5 (RIGHT ANGLE VERTICAL) (U STD) D (QUICK CONNECT) D1 (WIRE WRAP - .750) D2 (WIRE WRAP - .964) D3 (WIRE WRAP - .426) D4 (WIRE WRAP - .650)	Q (SILVER) R (GOLD)	BLANK E (EPOXY)	BLANK S20 S30 S40 S50



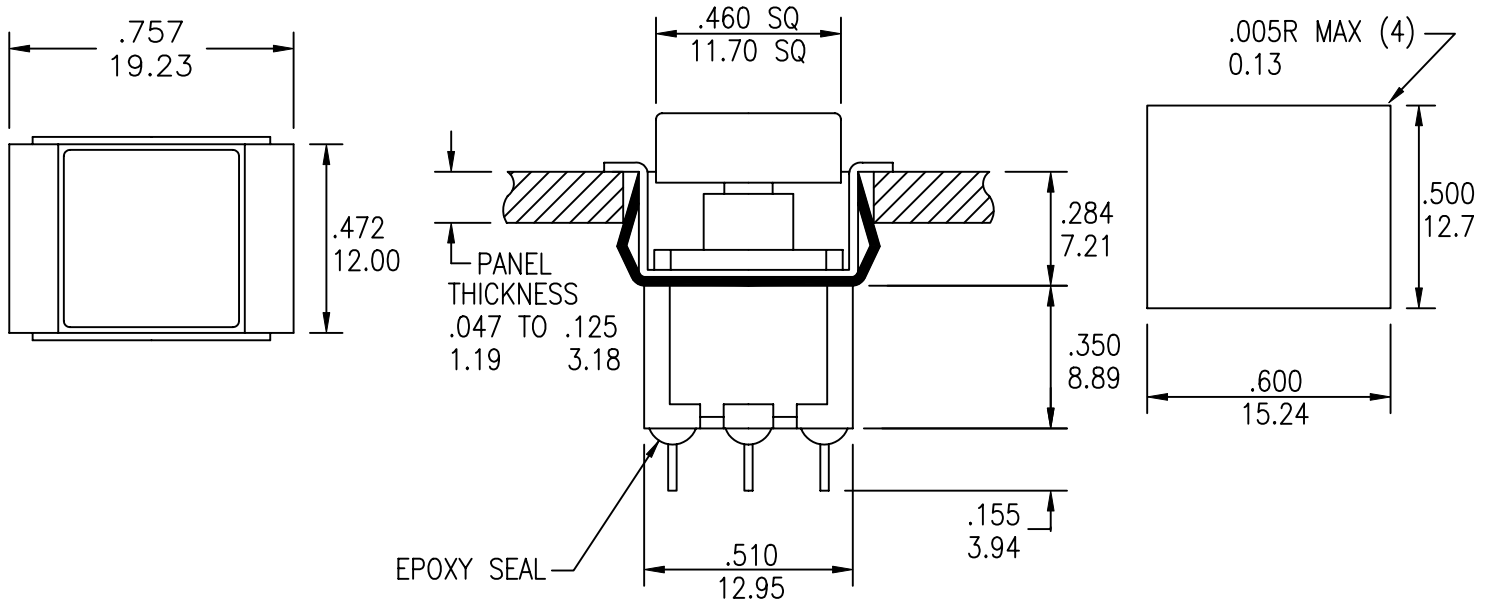
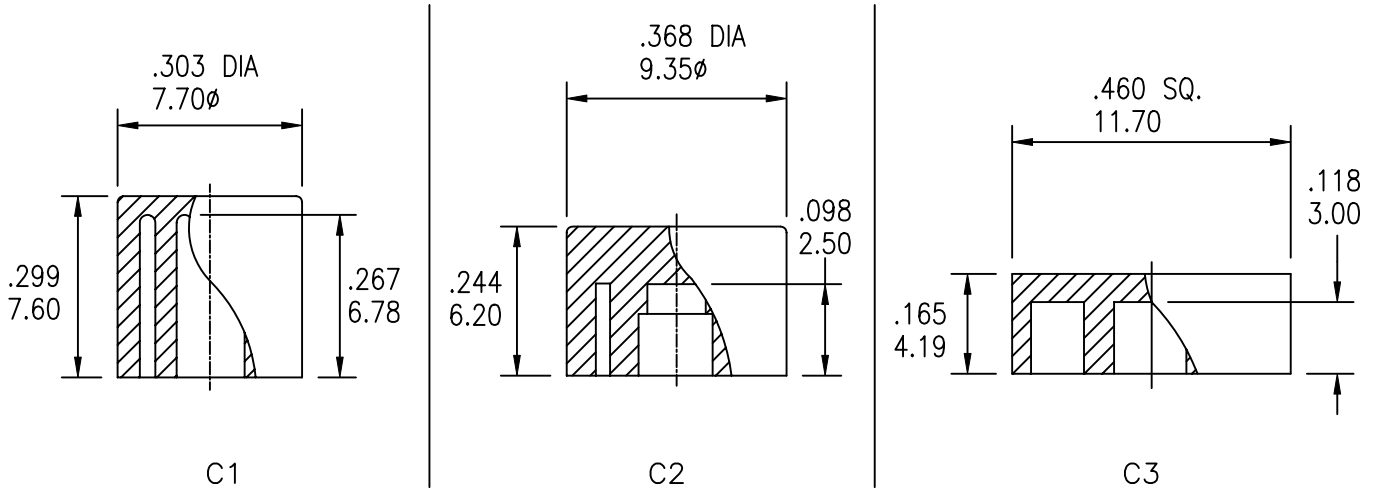
TITLE: PUSHBUTTON SWITCH		PART NO: SRSA-8701-XXXXXX			
DATE: 03/05/01	DRAWN: RB	CHKD: GAT	SCALE: N/A	SHEET: 2 OF 7	

UNLESS OTHERWISE SPECIFIED, ALL DIMENSIONS ARE IN INCHES [MM].

TO 1 DECIMAL PLACE ±.2
 TO 2 DECIMAL PLACES ±.10
 AS ANGLES ±

ISSUE	DATE
A	03/20/01
B	10/05/04
C	09/11/08
D	02/18/09

ACTUATOR OPTIONS



F21A



TITLE: PUSHBUTTON SWITCH

PART NO: SRSA-8701-XXXXXX

DATE: 03/05/01

DRAWN: RB

CHKD: GAT

SCALE: N/A

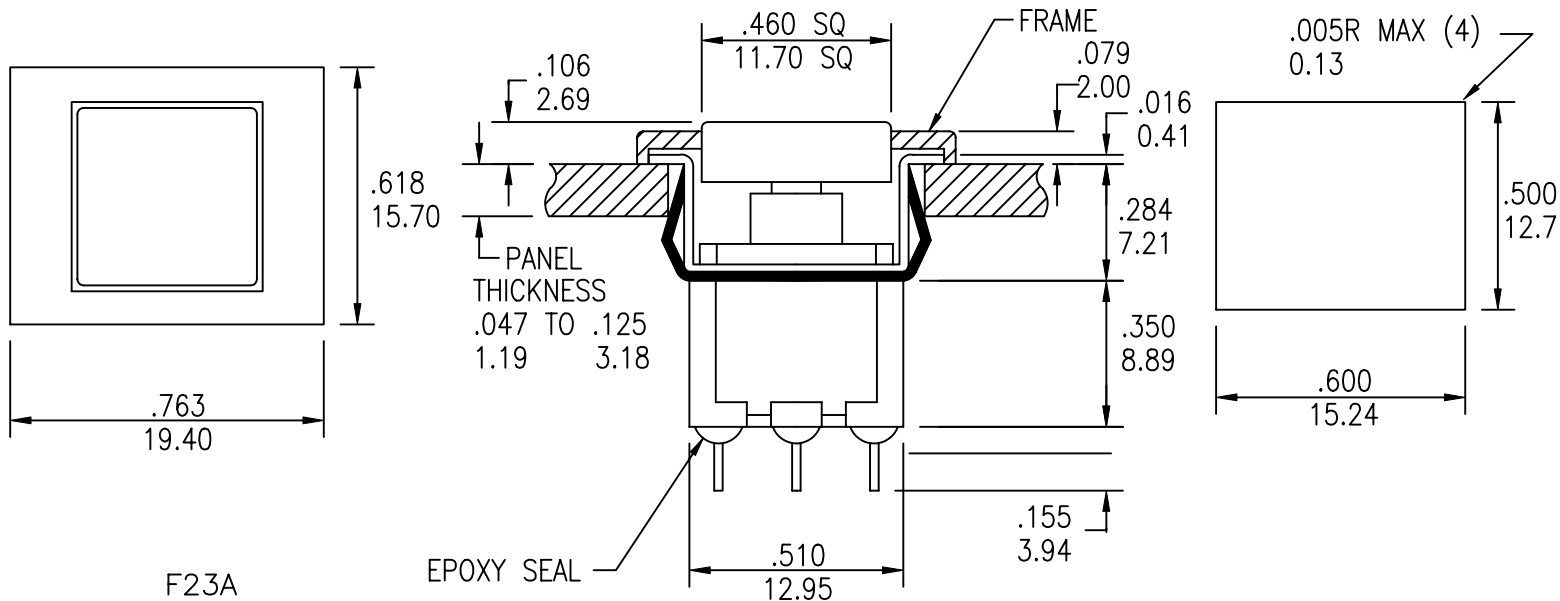
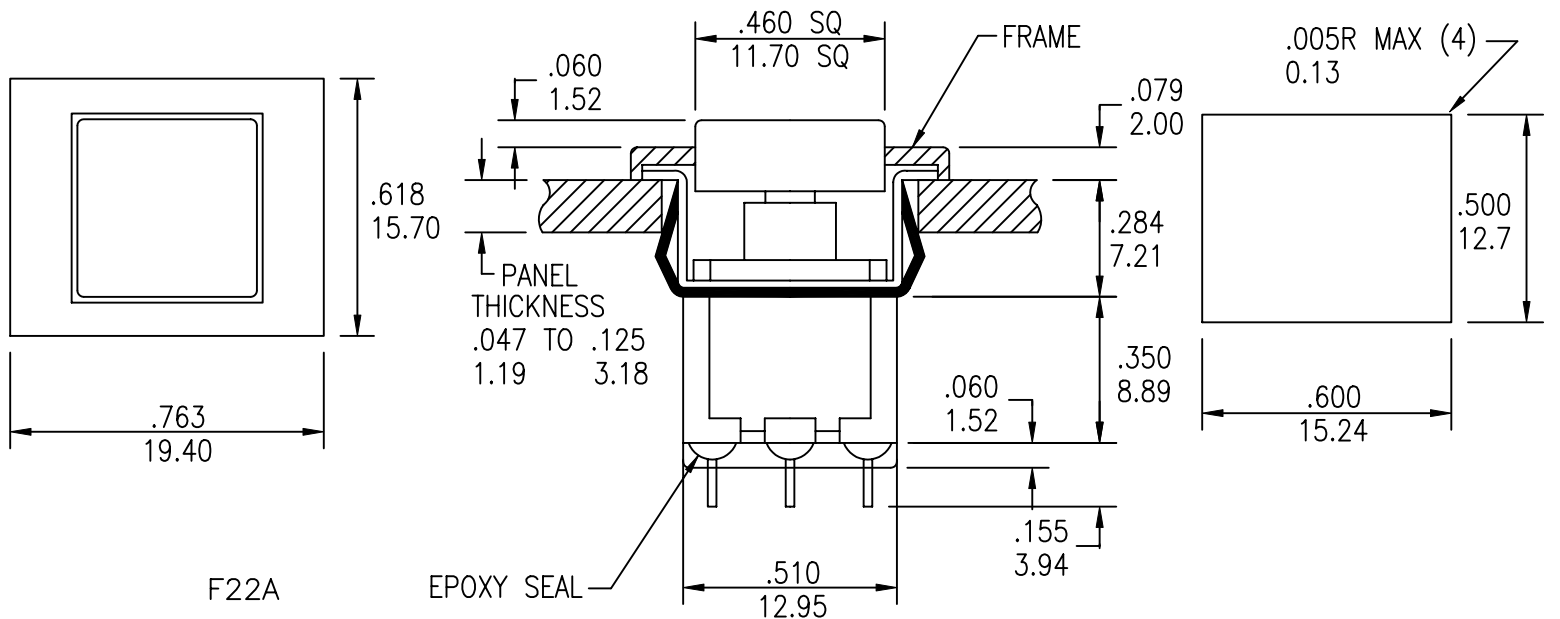
SHEET: 3 OF 7

UNLESS OTHERWISE SPECIFIED, ALL DIMENSIONS ARE IN INCHES [MM].

TO 1 DECIMAL PLACE ±.2
 TO 2 DECIMAL PLACES ±.10
 AS ANGLES ±

ISSUE	DATE
B	10/05/04
C	09/11/08
D	02/18/09

ACTUATOR OPTIONS

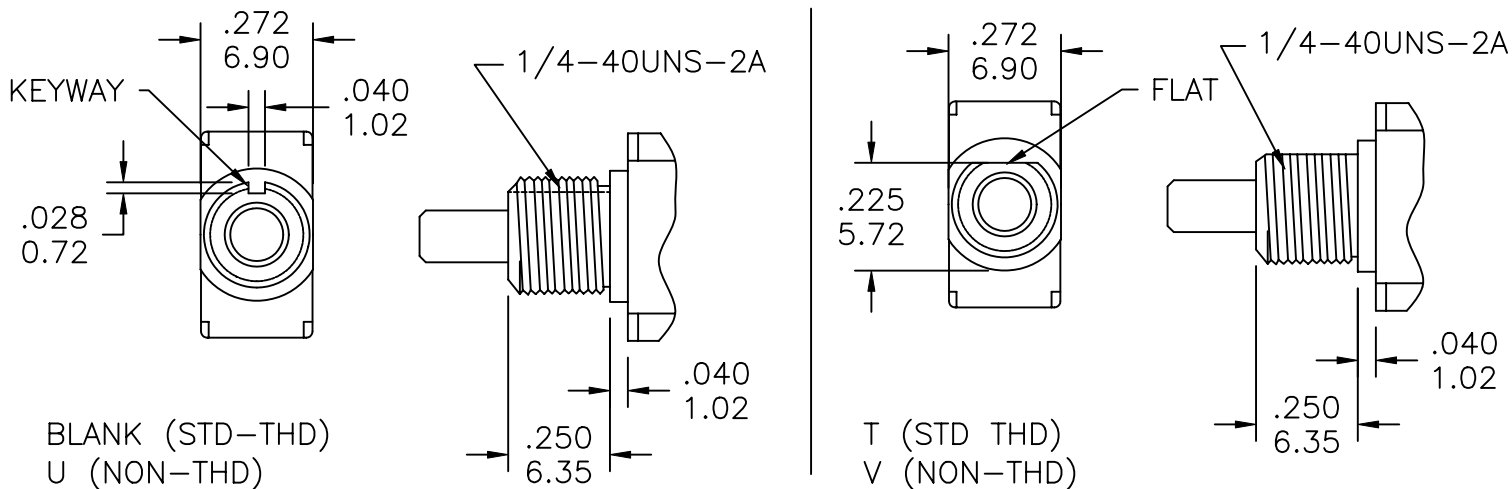


UNLESS OTHERWISE SPECIFIED, ALL DIMENSIONS ARE IN INCHES [MM].

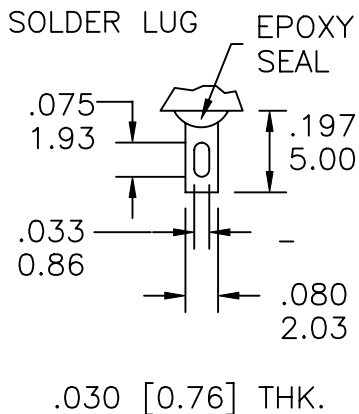
TO 1 DECIMAL PLACE ±.2
 TO 2 DECIMAL PLACES ±.10
 AS ANGLES ±

ISSUE	DATE
B	10/05/04
C	09/11/08
D	02/18/09

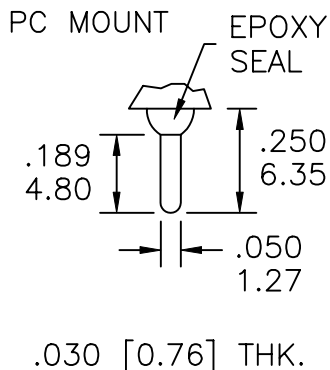
BUSHING OPTIONS



TERMINATION OPTIONS

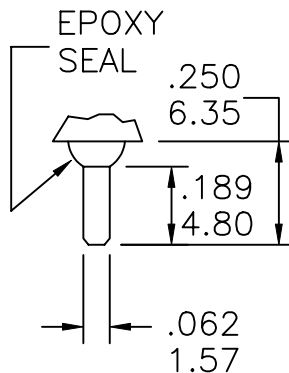


B



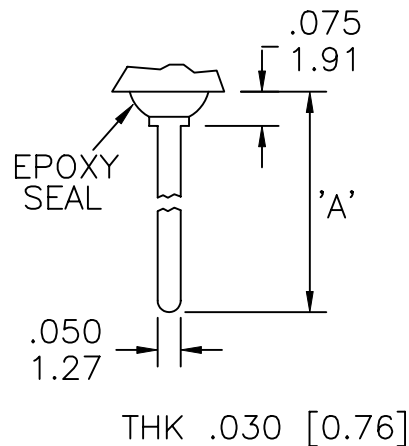
C

QUICK CONNECT



D

WIRE WRAP



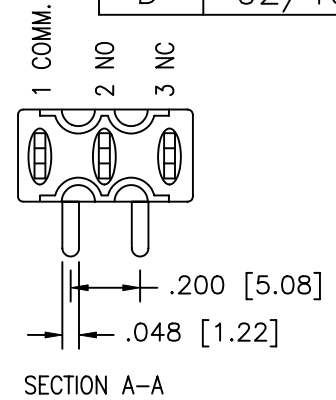
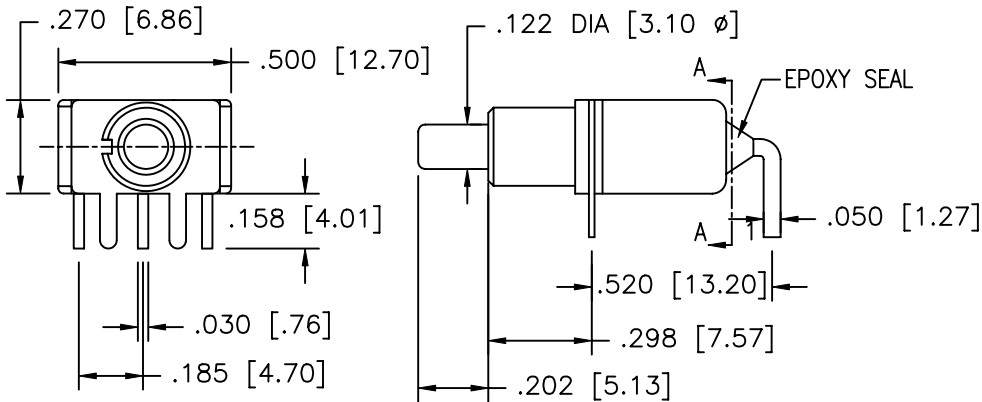
	'A'
D1	.750(19.05)
D2	.964(24.48)
D3	.426(10.80)
D4	.650(16.50)

UNLESS OTHERWISE SPECIFIED, ALL DIMENSIONS ARE IN INCHES [MM].

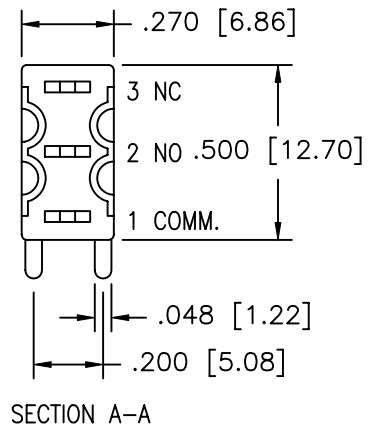
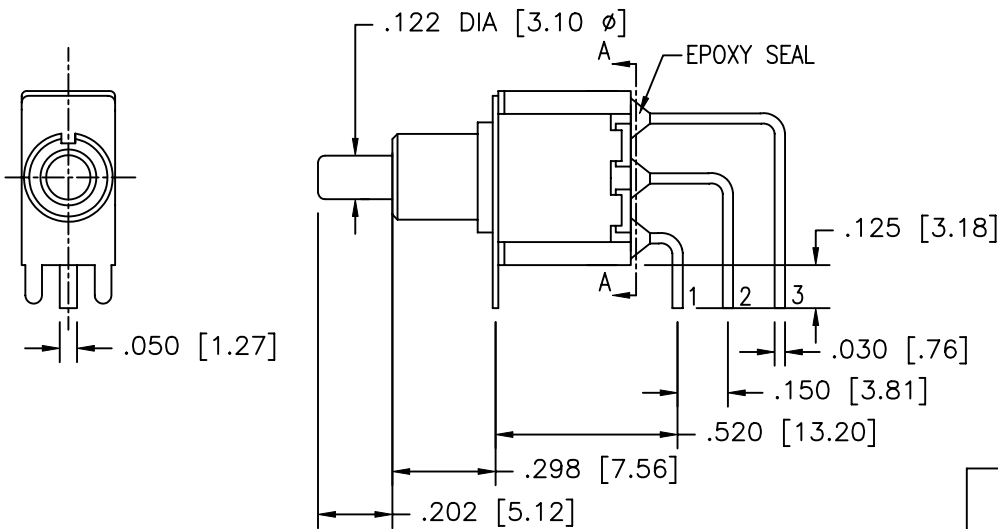
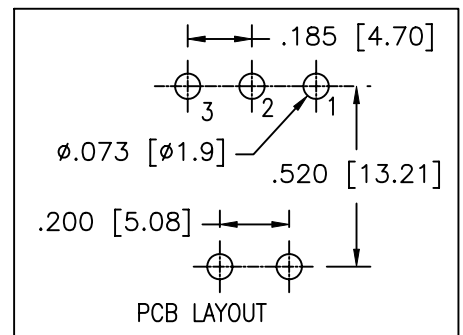
TO 1 DECIMAL PLACE ±.2
 TO 2 DECIMAL PLACES ±.10
 AS ANGLES ±

ISSUE	DATE
B	10/05/04
C	09/11/08
D	02/18/09

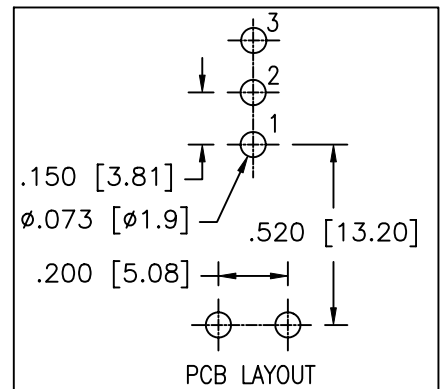
TERMINATION OPTIONS



A4 - RIGHT ANGLE, PC THRU-HOLE
 SRSA-8701-UA4XE (A4 STD)



A5 - VERTICAL RIGHT ANGLE, PC THRU-HOLE
 SRSA-8701-UA5XE (A5 STD)

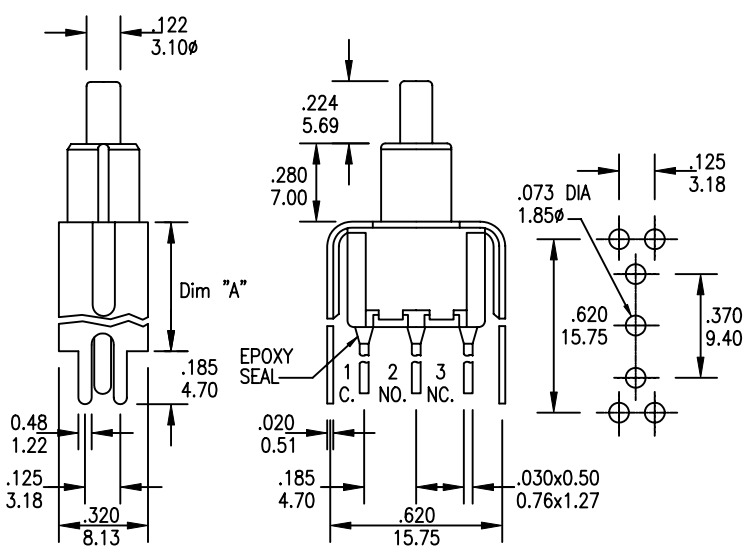


UNLESS OTHERWISE SPECIFIED, ALL DIMENSIONS ARE IN INCHES [MM].

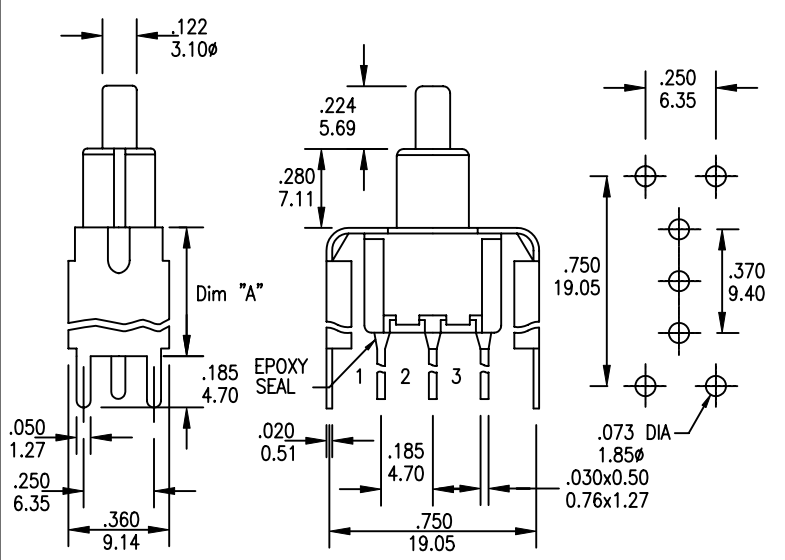
TO 1 DECIMAL PLACE ±.2
 TO 2 DECIMAL PLACES ±.10
 AS ANGLES ±

ISSUE	DATE
B	10/05/04
C	09/11/08
D	02/18/09

VERTICAL SUPPORT BRACKET



	Dim "A"
S20	.460 [11.68]
S30	.630 [16.00]



	Dim "A"
S40	.460 [11.68]
S50	.630 [16.00]



TITLE: PUSHBUTTON SWITCH		PART NO: SRSA-8701-XXXXXX		
DATE: 03/05/01	DRAWN: RB	CHKD: GAT	SCALE: N/A	SHEET: 7 OF 7