

1

2

3

4

COMPONENT SPECIFICATION

USE OR REPRODUCTION OF THIS DRAWING FOR THE PURPOSE OF MANUFACTURING THIS ARTICLE OR ANY ARTICLES SHOWN FOR ANY PURPOSE IS STRICTLY PROHIBITED WITHOUT WRITTEN PERMISSION FROM SENIOR INDUSTRIES, INC.

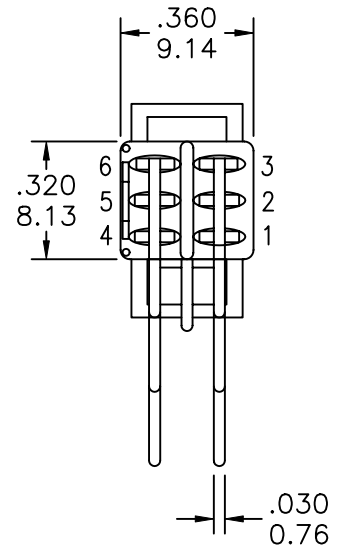
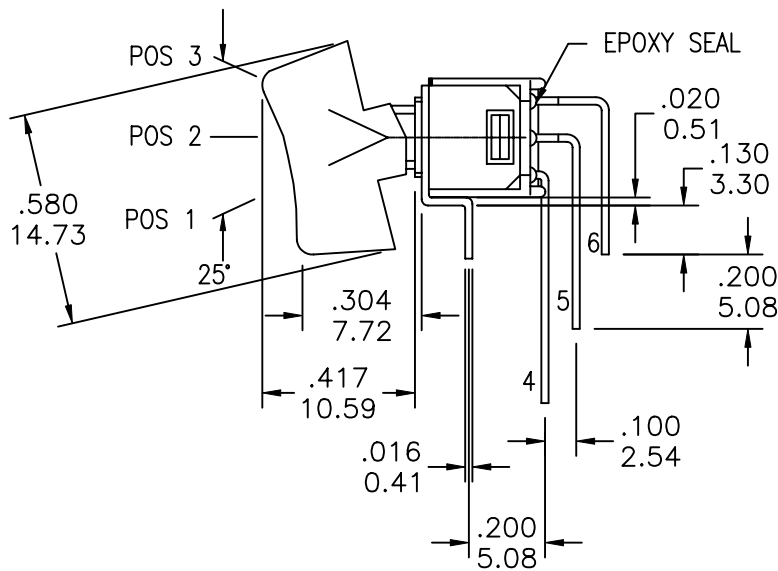
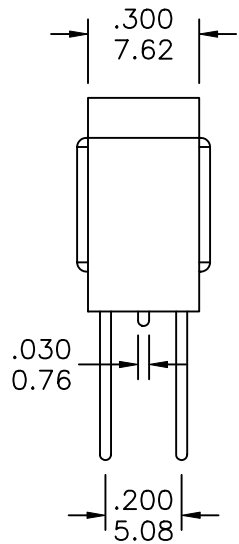
A

B

C

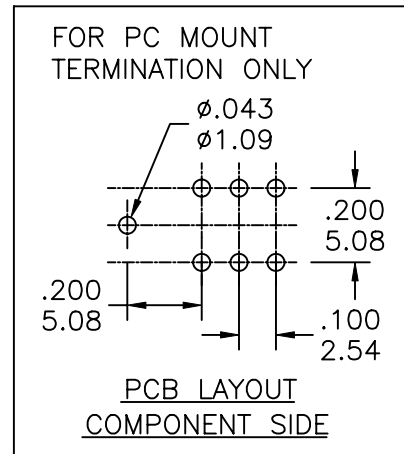
D

E



MODEL NO.	SWITCHING POSITION		
	RS9	ON	NONE
CONN. TERMS	2-3 5-6	OPEN	2-1 5-4
SCHEMATIC	DPDT		

NON-SHORTING TYPE



DESIGNED:	DRAWN:	CHECKED:	APPROVED:	SYM.	DATE	DESCRIPTION OF REVISIONS	DRAWN	APPD.
	RB	GAT	JF	▲	03.19.01	NEW	RB	JF
				▲	09.23.05	Operating Force added at 200g ±50g. New Index. Gen dwg updated	GAT	JF
				▲	.	.		
				▲	.	.		

3RD ANGLE		UNIT:	IN[mm]	SCALE:	2:1	REV.	B
-----------	--	-------	--------	--------	-----	------	---



TOLERANCE:	PART NO:
TO 1 DECIMAL PLACE: ± .2	SRSR-RS9-XXXX
TO 2 DECIMAL PLACES: ± .10	TITLE:
AS ANGLES:	ROCKER SWITCH
SHEET:	1 OF 3

1

2

3

4

COMPONENT
SPECIFICATIONUSE OR REPRODUCTION OF THIS DRAWING FOR THE PURPOSE OF MANUFACTURING THIS
ARTICLE OR ANY ARTICLES SHOWN FOR ANY PURPOSE IS STRICTLY PROHIBITED WITHOUT
WRITTEN PERMISSION FROM SENIOR INDUSTRIES, INC.SPECIFICATIONSELECTRICAL

CONTACT RATING:

SILVER: 3A @ 120 VAC OR 28 VDC, 1A @ 250 VAC

GOLD: 0.4 VA MAX. @ 20 V MAX. (AC OR DC)

CONTACT RESISTANCE: 20 MILLIOHMS MAX.

INSULATION RESISTANCE: 1,000 MEGOHMS MIN. AT 500 VDC

DIELECTRIC STRENGTH: 1,000 VRMS

MECHANICAL

OPERATING LIFE: 30,000 CYCLES

OPERATING FORCE: 200g ±50g

ENVIRONMENTAL

OPERATING TEMPERATURE: -30°C TO +85°C

MATERIAL

CASE: DAP, UL 94V-0

HOUSING: STAINLESS STEEL

ACTUATOR: NYLON

BUSHING: BRASS, NICKEL PLATED

SUPPORT: BRASS, TIN PLATED

CONTACT/TERMINALS: COPPER ALLOY, SILVER OR GOLD PLATED

REGULATORY

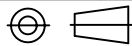
UL AND CANADA RECOGNIZED COMPONENT. UL FILE NO. E173084.

PART NUMBER BUILDER:

SERIES	MODEL NO.	ACTUATOR COLOR	TERMINATION	CONTACT PLATING	SEAL
SRSR -	<input type="text"/> <input type="text"/> <input type="text"/> <input type="text"/> <input type="text"/> <input type="text"/>	<input type="text"/>	<input type="text"/>	<input type="text"/>	<input type="text"/>
	RS9	1 - BLUE 2 - RED 3 - BLACK 4 - BROWN 5 - GREEN 6 - WHITE 7 - GRAY 8 - ORANGE 9 - YELLOW 0 - VIOLET	C (PC MOUNT)	Q (SILVER) R (GOLD)	BLANK E (EPOXY)

DESIGNED:			SYM.	DATE	DESCRIPTION OF REVISIONS	DRAWN	APPD.
			△	03.19.01	NEW	RB	JF
DRAWN:	RB	03/05/01	△	09.23.05	Operating Force added at 200g ±50g. New Index. Gen dwg updated	GAT	JF
CHECKED:	GAT	09/23/05	△	.			
APPROVED:	JF	09/23/05	△	.			

3RD ANGLE



UNIT:

IN[mm]

SCALE:

REV.

B


**SENIOR
INDUSTRIES, INC.**

TOLERANCE:

TO 1 DECIMAL PLACE: ±

TO 2 DECIMAL PLACES: ±

AS ANGLES:

SHEET:

PART NO:

SRSR-RS9-XXXX

TITLE:

ROCKER SWITCH

2 OF 3

1

2

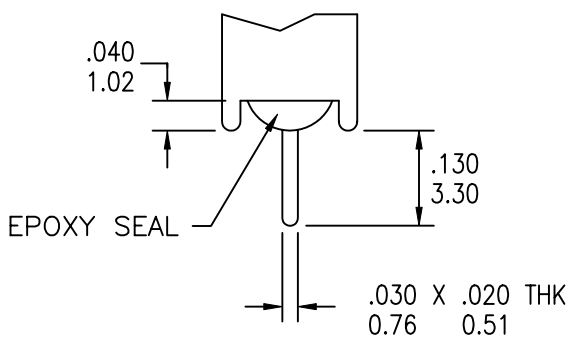
3

4

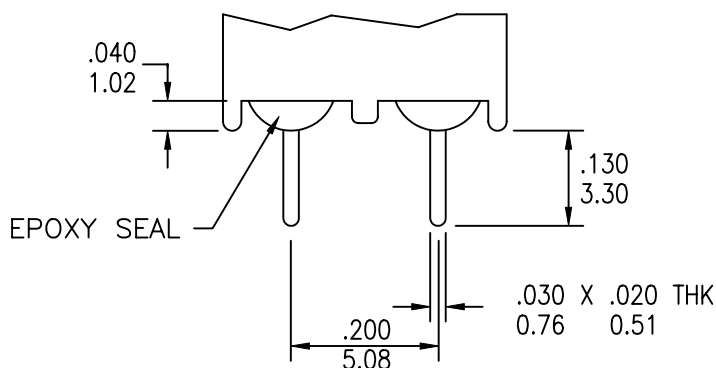
COMPONENT SPECIFICATION

USE OR REPRODUCTION OF THIS DRAWING FOR THE PURPOSE OF MANUFACTURING THIS ARTICLE OR ANY ARTICLES SHOWN FOR ANY PURPOSE IS STRICTLY PROHIBITED WITHOUT WRITTEN PERMISSION FROM SENIOR INDUSTRIES, INC.

TERMINATION OPTIONS



SINGLE POLE



DOUBLE POLE

C (PC MOUNT)

DESIGNED:			SYM.	DATE	DESCRIPTION OF REVISIONS	DRAWN	APPD.
DRAWN:	RB	03/05/01	▲	03.19.01	NEW	RB	JF
CHECKED:	GAT	09/23/05	▲	09.23.05	Operating Force added at 200g ±50g. New Index. Gen dwg updated	GAT	JF
APPROVED:	JF	09/23/05	▲	.			
			▲	.			

3RD ANGLE		UNIT:	IN[mm]	SCALE:	2:1	REV.	B
-----------	--	-------	--------	--------	-----	------	---



TOLERANCE:	PART NO:
TO 1 DECIMAL PLACE: ± .2	SRSR-RS9-XXXX
TO 2 DECIMAL PLACES: ± .10	TITLE:
AS ANGLES:	ROCKER SWITCH
SHEET:	3 OF 3