

UNLESS OTHERWISE SPECIFIED, ALL DIMENSIONS ARE IN INCHES [MM].

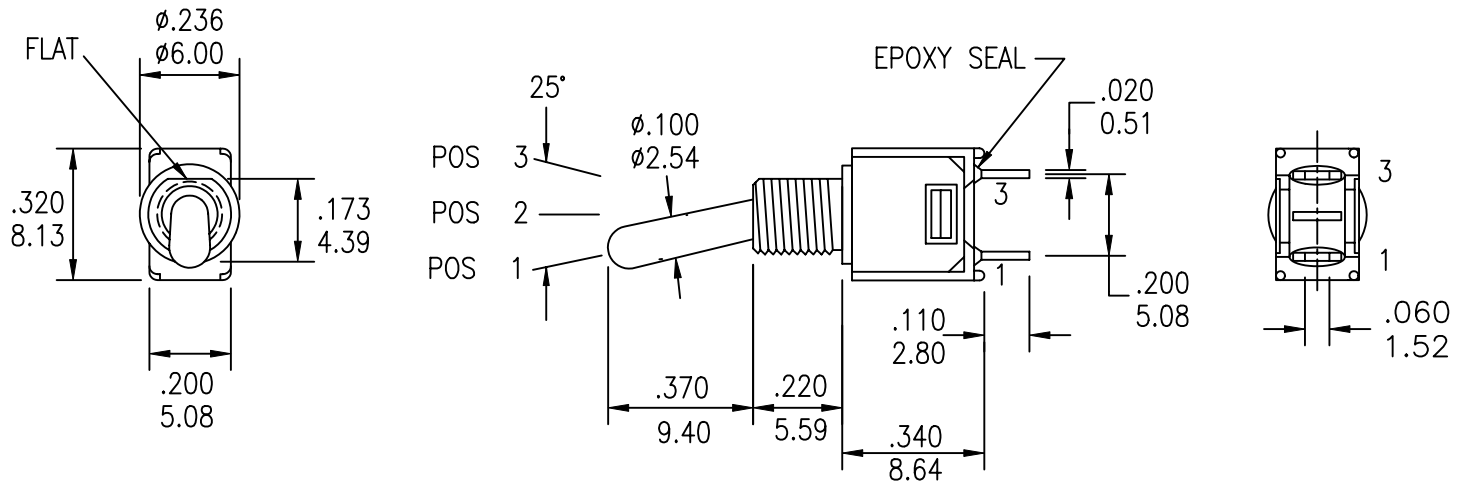
TO 1 DECIMAL PLACE ±.2  
 TO 2 DECIMAL PLACES ±.10  
 AS ANGLES ±

ISSUE

DATE

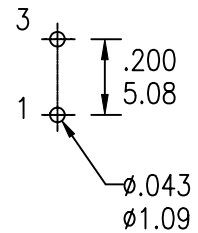
A

03/11/10



MODEL NO. SPDT	SWITCHING POSITION		
	TS4E	OFF	NONE
CONN. TERMS	OPEN	N/A	3-1

FOR PC MOUNT  
 TERMINATION ONLY



PCB LAYOUT  
 COMPONENT SIDE  
 (TOLERANCE =  $\pm 0.1$ )

UNLESS OTHERWISE SPECIFIED, ALL DIMENSIONS ARE IN INCHES [MM].

TO 1 DECIMAL PLACE ±.2  
 TO 2 DECIMAL PLACES ±.10  
 AS ANGLES ±

ISSUE	DATE
A	03/11/10

SPECIFICATIONS

ELECTRICAL

CONTACT RATING:

SILVER: 3A @ 120 VAC OR 28 VDC, 1A @ 250 VAC

GOLD: 0.4 VA MAX. @ 20 V MAX. (AC OR DC)

CONTACT RESISTANCE: 20 MILLIOHMS MAX.

INSULATION RESISTANCE: 1,000 MEGOHMS MIN. AT 500 VDC

DIELECTRIC STRENGTH: 1,000 VRMS

MECHANICAL

LIFE: 30,000 CYCLES

ENVIRONMENTAL

OPERATING TEMPERATURE: -30°C TO +85°C

MATERIAL

CASE: DAP, UL94V-0

HOUSING: STAINLESS STEEL

ACTUATOR: BRASS, CHROME PLATED

BUSHING: BRASS, NICKEL PLATED

SWITCH SUPPORT: BRASS, TIN PLATED

CONTACT/TERMINALS: BRASS, SILVER OR GOLD PLATED

REGULATORY

UL AND CANADA RECOGNIZED COMPONENT. UL/CUL FILE NO. E173084.

PART NUMBER BUILDER:

SERIES	MODEL NO.	ACTUATOR	BUSHING	TERMINATION	CONTACT PLATING	SEAL	VERTICAL SUPPORT BRACKET
SRST -	<input type="text"/> <input type="text"/> <input type="text"/> <input type="text"/> <input type="text"/>	- <input type="text"/>	<input type="text"/>	<input type="text"/>	<input type="text"/>	<input type="text"/>	<input type="text"/>
	TS4E	S (STD) T U V X	E (STD - THD) E1 (STD - NON-THD) F (THD) F1 (NON-THD) G (THD) G1 (NON-THD) H (THD) H1 (NON-THD) J (THD) J1 (NON-THD)	B (SOLDER LUG) C (PC MOUNT)	Q (SILVER) R (GOLD)	BLANK E (EPOXY)	BLANK A5 A6



TITLE: TOGGLE SWITCH		PART NO: SRST-TS4E-XXXXXX			
DATE: 03/13/01	DRAWN: RB	CHKD: GAT	SCALE:	SHEET: 2 OF 6	

UNLESS OTHERWISE SPECIFIED, ALL DIMENSIONS ARE IN INCHES [MM].

TO 1 DECIMAL PLACE ±.2  
 TO 2 DECIMAL PLACES ±.10  
 AS ANGLES ±

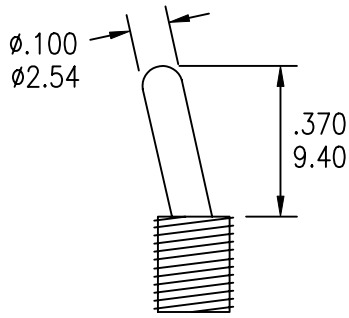
ISSUE

DATE

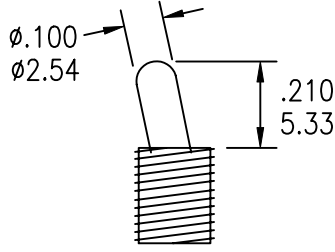
A

03/11/10

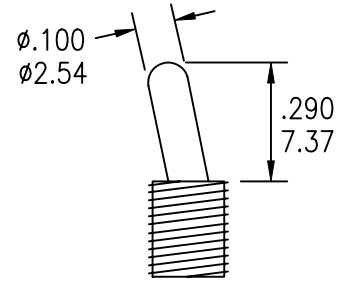
ACTUATOR OPTIONS



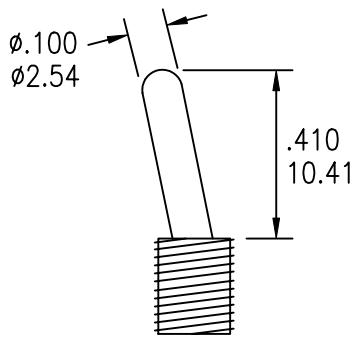
S (STD)



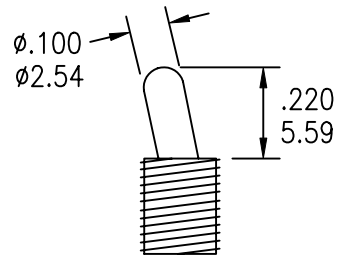
T



U

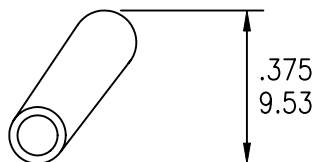


V



X

NOTE: OPTIONAL TOGGLE CAP AVAILABLE.

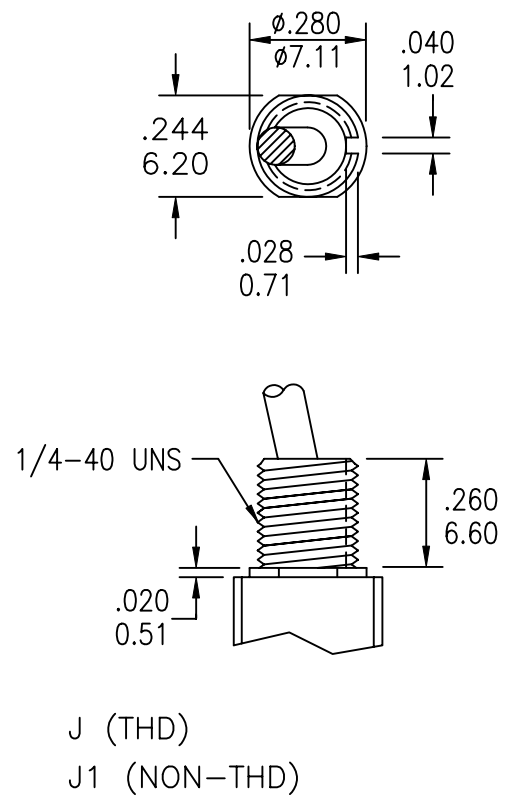
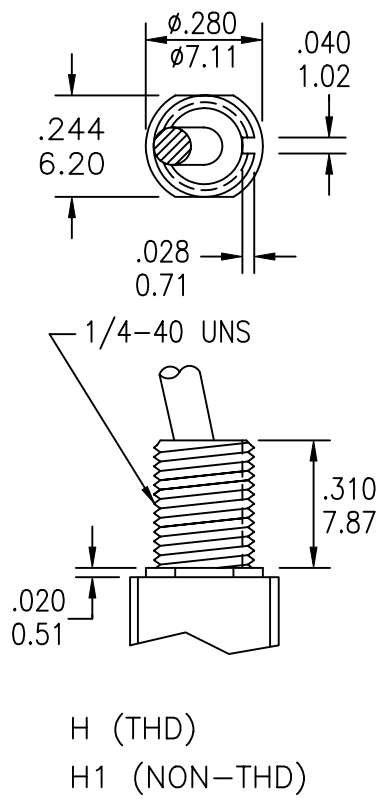
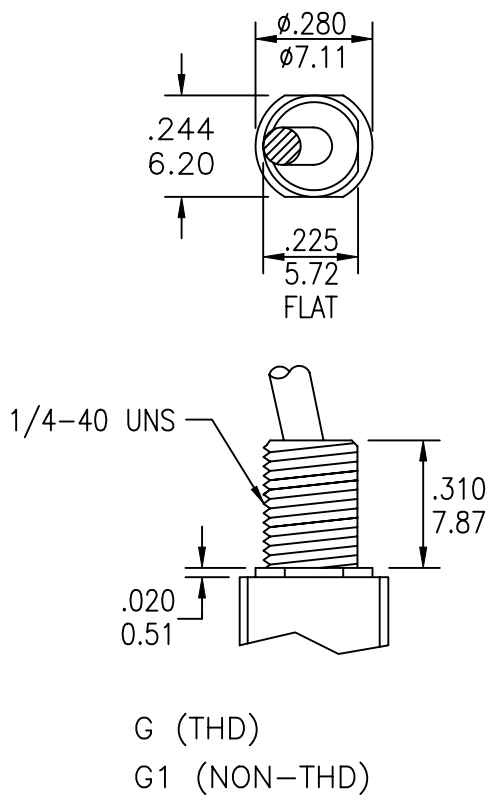
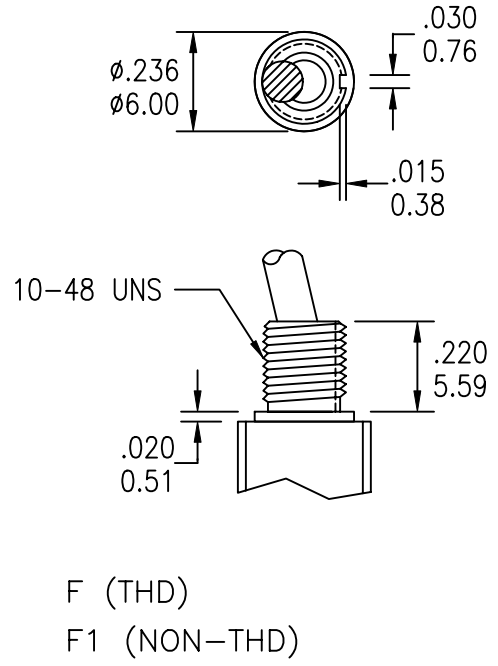
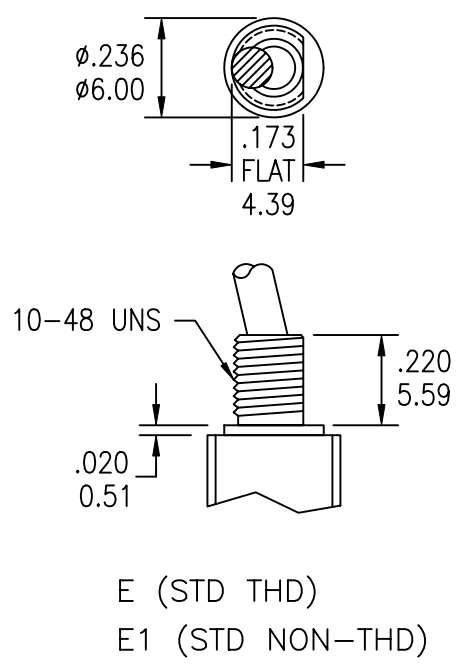


UNLESS OTHERWISE SPECIFIED, ALL DIMENSIONS ARE IN INCHES [MM].

TO 1 DECIMAL PLACE ±.2  
 TO 2 DECIMAL PLACES ±.10  
 AS ANGLES ±

ISSUE	DATE
A	03/11/10

BUSHING OPTIONS



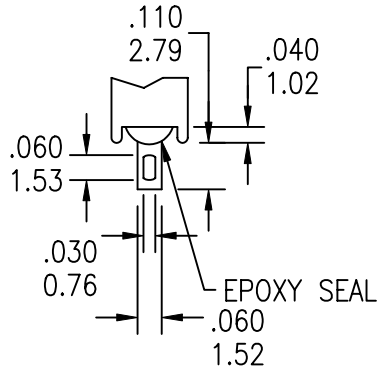
UNLESS OTHERWISE SPECIFIED, ALL DIMENSIONS ARE IN INCHES [MM].

TO 1 DECIMAL PLACE ±.2  
 TO 2 DECIMAL PLACES ±.10  
 AS ANGLES ±

ISSUE  
 A

DATE  
 03/11/10

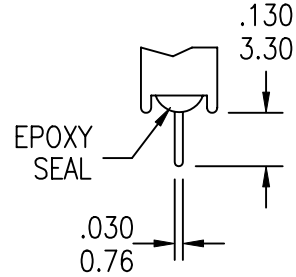
TERMINATION OPTIONS



.020 [0.51] THK

SPDT

B (SOLDER LUG)

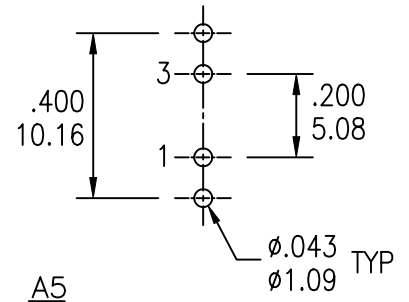
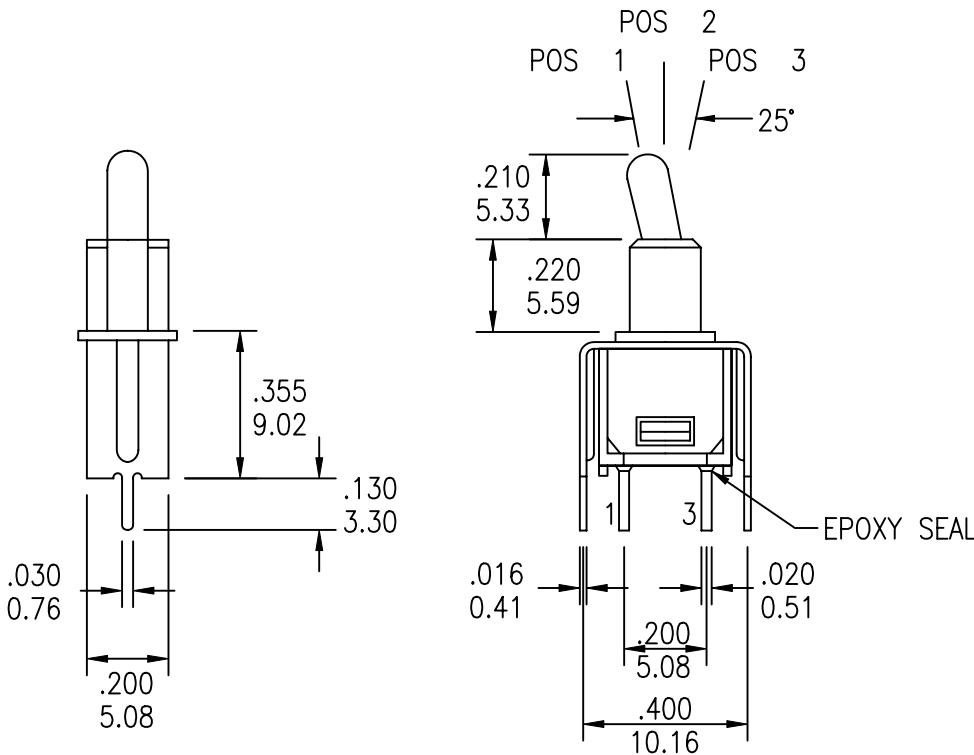


.020 [0.51] THK

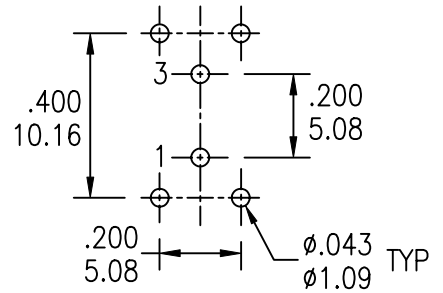
SPDT

C (PC MOUNT)

VERTICAL SUPPORT BRACKET



A5



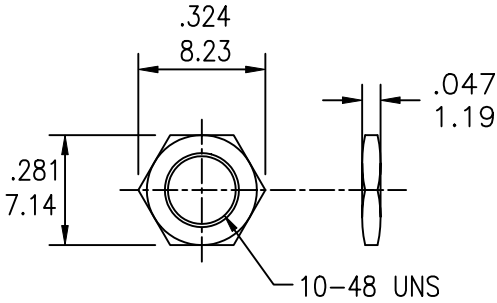
A6

UNLESS OTHERWISE SPECIFIED, ALL DIMENSIONS ARE IN INCHES [MM].

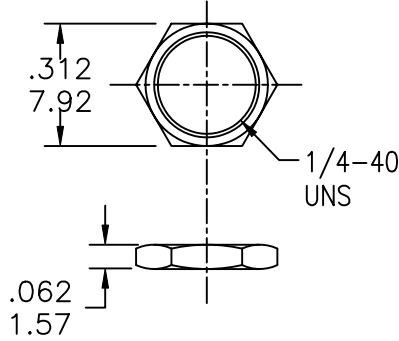
TO 1 DECIMAL PLACE ±.2  
 TO 2 DECIMAL PLACES ±.10  
 AS ANGLES ±

ISSUE	DATE
A	03/11/10

STANDARD NUT

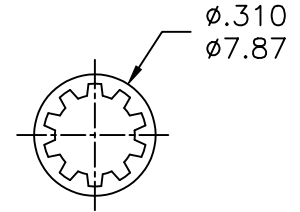


STD FOR E, E1, F,  
AND F1 OPTIONS.



STD FOR G, G1, H,  
H1, J, AND J1 OPTIONS.

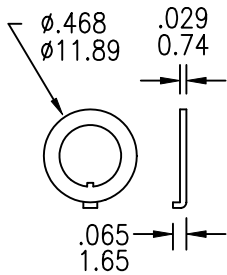
STANDARD LOCK WASHER



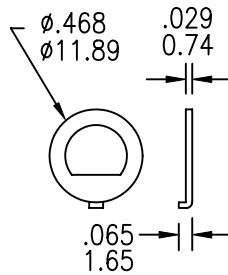
.018 [0.46] THK

STD FOR E, E1, F,  
AND F1 OPTIONS.

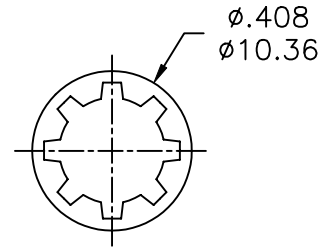
LOCKING RING  
SCALE 1:1



STD FOR F, F1, H,  
H1, J, AND J1 OPTIONS.



STD FOR E, E1, G,  
AND G1 OPTIONS.

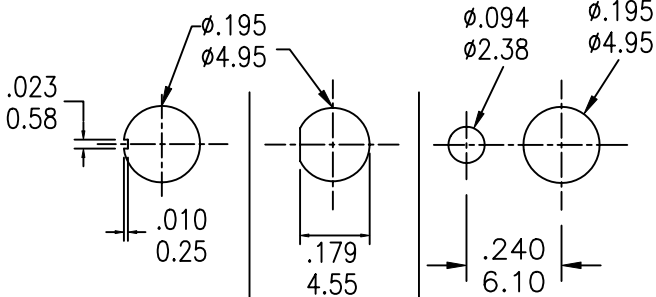


.018 [0.46] THK

STD FOR G, G1, H,  
H1, J, AND J1 OPTIONS.

PANEL MOUNTING

10-48 BUSHING

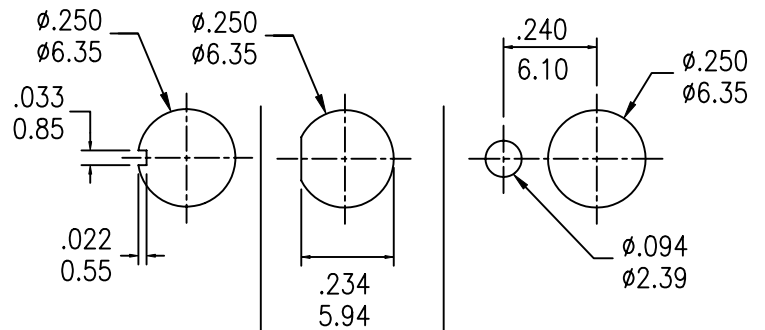


FOR F AND  
F1 OPTIONS

FOR E AND  
E1 OPTIONS

FOR USE WITH  
LOCKING RING

1/4 IN. BUSHING



FOR H, H1, J,  
AND J1 OPTIONS

FOR G AND  
G1 OPTIONS

FOR USE WITH  
LOCKING RING