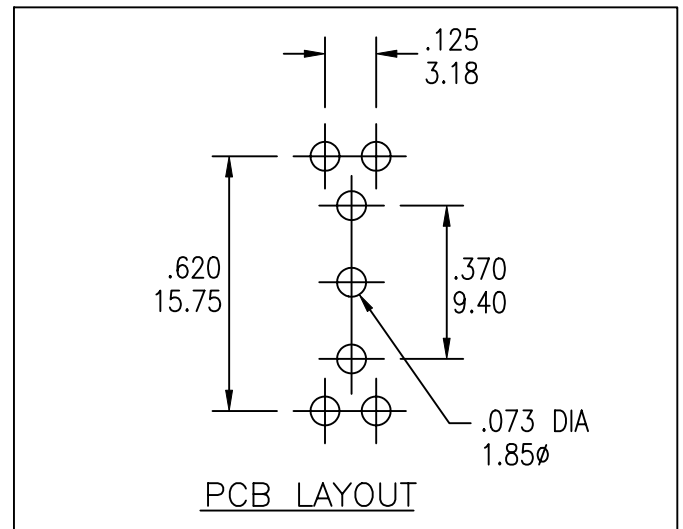
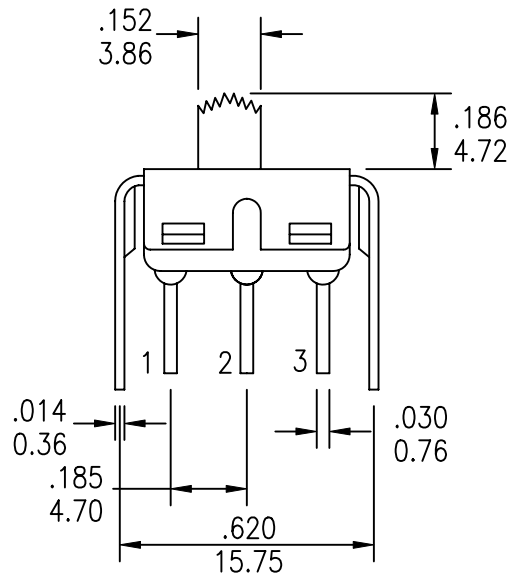
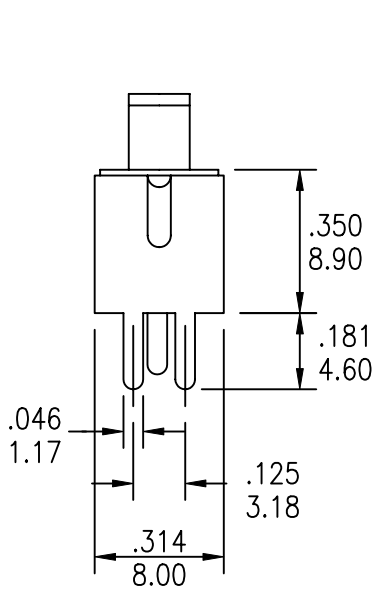


UNLESS OTHERWISE SPECIFIED, ALL DIMENSIONS ARE IN INCHES [MM].

TO 1 DECIMAL PLACE ±.2
 TO 2 DECIMAL PLACES ±.10
 AS ANGLES ±

ISSUE
 A

DATE
 03/08/01



MODEL NO.	SWITCHING FUNCTION		
TS13F	ON	NONE	ON
TS13AF	ON	OFF	ON
TS13BF	ON	NONE	MOM
CONN. TERMS	2-1	OPEN	2-3
SCHEMATIC	SPDT 2 Comm. 1 3		

NON-SHORTING TYPE



TITLE: SLIDE SWITCH

PART NO: SRS-TS13XF-XXXX

DATE: 03/05/01

DRAWN: RB

CHKD:

SCALE: 2/1

SHEET: 1 OF 3

UNLESS OTHERWISE SPECIFIED, ALL DIMENSIONS ARE IN INCHES [MM].

TO 1 DECIMAL PLACE ±.2
 TO 2 DECIMAL PLACES ±.10
 AS ANGLES ±

ISSUE	DATE
A	03/08/01

SPECIFICATIONS

ELECTRICAL

CONTACT RATING:

SILVER: 5A @ 120 VAC OR 28 VDC, 2A @ 250 VAC

GOLD: 0.4 VA MAX. @ 20 V MAX. (AC OR DC)

CONTACT RESISTANCE: 10 MILLIOHMS MAX.

INSULATION RESISTANCE: 1,000 MEGOHMS MIN. AT 500 VDC

DIELECTRIC STRENGTH: 1,000 VRMS

MECHANICAL

LIFE: 30,000 CYCLES

ENVIRONMENTAL

OPERATING TEMPERATURE: -30°C TO +85°C

MATERIAL

CASE: DAP, UL94V-0

HOUSING: STAINLESS STEEL

ACTUATOR: NYLON

CONTACTS/TERMINALS: COPPER ALLOY, SILVER OR GOLD PLATED

REGULATORY

UL AND CANADA RECOGNIZED COMPONENT. UL/CUL FILE NO. E173084.

SERIES	MODEL NO.	ACTUATOR	COLOR	CONTACT PLATING	SEAL
SRS					
	TS13F	S	1 BLUE	Q SILVER	BLANK
	TS13AF	A	2 RED	R GOLD	E EPOXY
	TS13BF	B	3 BLACK		
		C	4 BROWN		
			5 GREEN		
			6 WHITE		
			7 GRAY		
			8 ORANGE		
			9 YELLOW		
			0 VIOLET		



TITLE: SLIDE SWITCH

PART NO: SRS-TS13XF-XXXX

DATE: 03/05/01

DRAWN: RB

CHKD:

SCALE: N/A

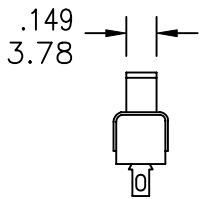
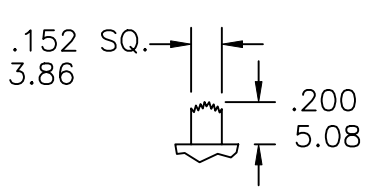
SHEET: 2 OF 3

UNLESS OTHERWISE SPECIFIED, ALL DIMENSIONS ARE IN INCHES [MM].

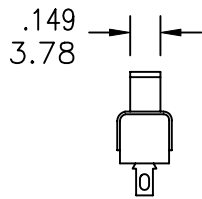
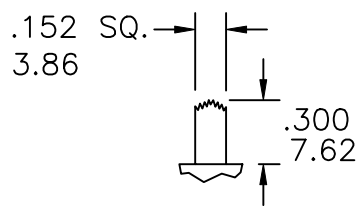
TO 1 DECIMAL PLACE ±.2
 TO 2 DECIMAL PLACES ±.10
 AS ANGLES ±

ISSUE	DATE
A	03/08/01

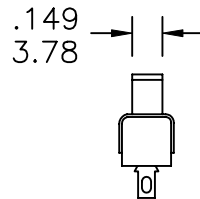
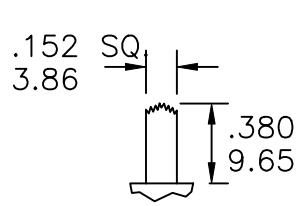
ACTUATOR OPTIONS



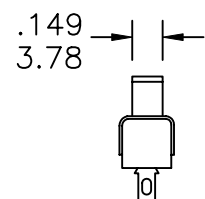
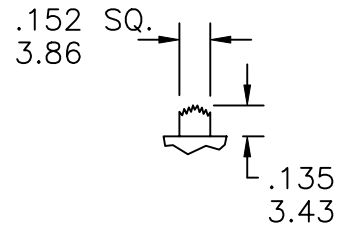
S



A



B



C