

1

2

3

4

5

COMPONENT SPECIFICATION

USE OR REPRODUCTION OF THIS DRAWING FOR THE PURPOSE OF MANUFACTURING THIS ARTICLE OR ANY ARTICLES SHOWN FOR ANY PURPOSE IS STRICTLY PROHIBITED WITHOUT WRITTEN PERMISSION FROM SENIOR INDUSTRIES, INC.

SPECIFICATIONS

ELECTRICAL:

CONTACT RATING: 0.5A @ 125 VAC/VDC
CONTACT RESISTANCE: 10 MILLIOHMS MAX. @ 20mA DC
INSULATION RESISTANCE: 100 MEGOHMS MIN.
DIELECTRIC STRENGTH: 1000 V RMS FOR 1 MINUTE

MECHANICAL:

LIFE: NO LOAD: 10,000 CYCLES MIN.
LOAD: 6,000 CYCLES MIN.

MATERIAL:

ACTUATOR: NYLON 6/6, BLACK (STD)
HOUSING: COLD ROLLED STEEL, NICKEL PLATED
MOVING CONTACT SPRING: PHOSPHOR BRONZE, SILVER PLATING OR 30 μIN GOLD OVER 50 μIN NICKEL
TERMINALS: COPPER ALLOY, SILVER PLATING OR 30 μIN GOLD OVER 50 μIN NICKEL
BASE PLATE: .020"(0.5mm) THICK FIBER GLASS PLATE
MOUNTING PLATE: .063"(1.6mm) THICK PBT PLASTIC

ENVIRONMENTAL:

OPERATING TEMPERATURE: -10°C TO +104°C

PART NUMBER BUILDER:

Table with columns: MODEL, ACTUATOR COLOR, TERMINATION, PLATING. Row 1: SRS-TS-17 - 3-BLACK (STD), C (PC MOUNT), Q (SILVER), R (GOLD)

RoHS COMPLIANT

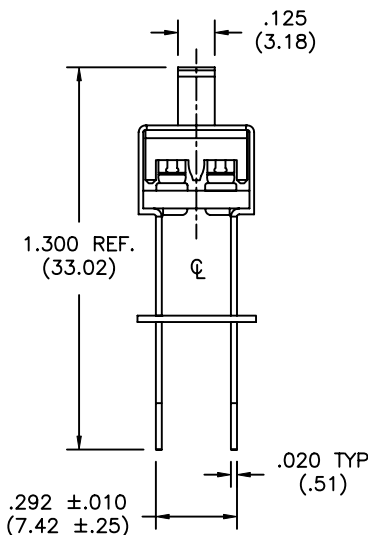
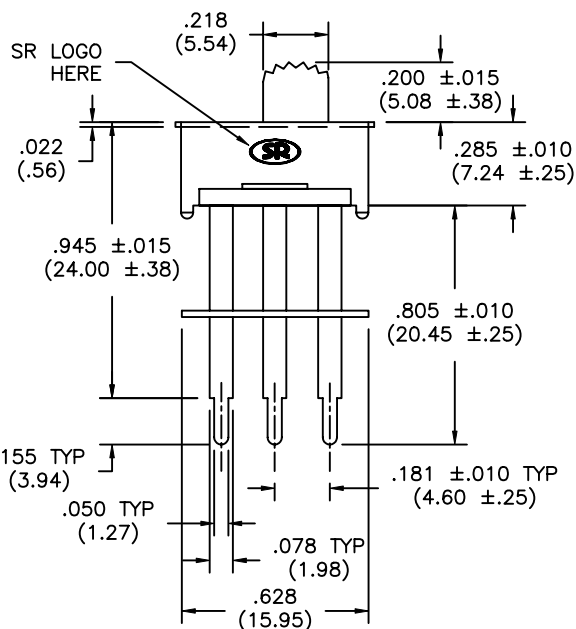
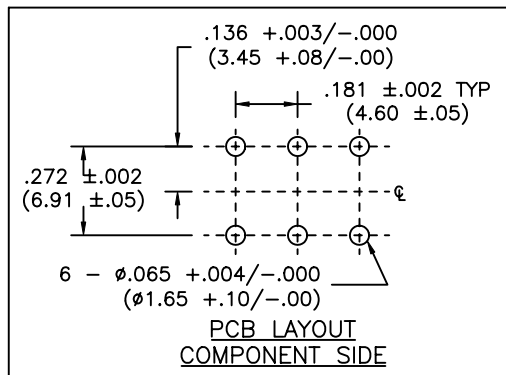
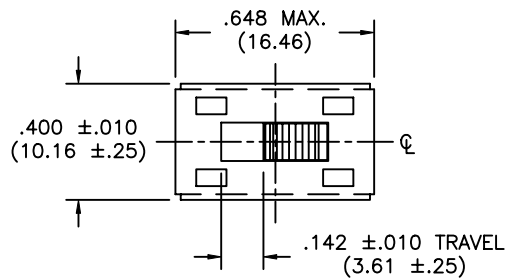


Table with columns: DESIGNED, DRAWN, CHECKED, APPROVED, SYM, DATE, DESCRIPTION OF REVISIONS, DRAWN, APPD.

Table with columns: TOLERANCE, PART NO, TITLE, SHEET.

Table with columns: 3RD ANGLE, UNIT, IN[mm], SCALE, 1:1, REV, B, AS ANGLES, ±1°, SHEET, 1 OF 1