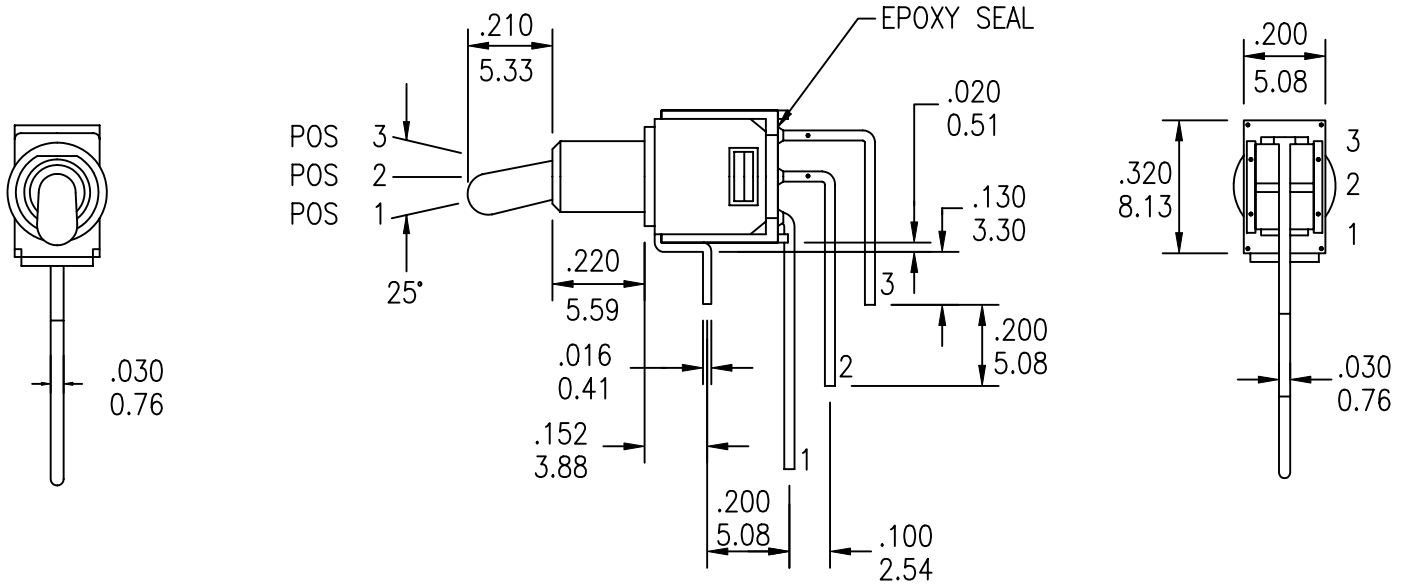


UNLESS OTHERWISE SPECIFIED, ALL DIMENSIONS ARE IN INCHES [MM].

TO 1 DECIMAL PLACE ±.2  
 TO 2 DECIMAL PLACES ±.10  
 AS ANGLES ±

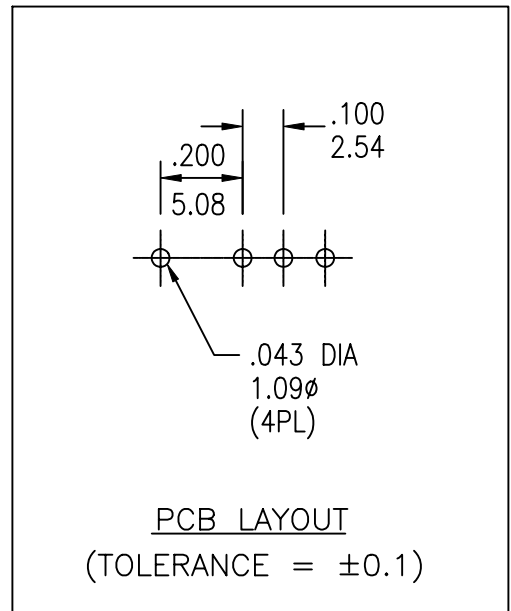
ISSUE  
 A

DATE  
 03/13/01



MODEL NO.	SWITCHING POSITION		
TS8	ON	NONE	ON
TS8A	ON	OFF	ON
TS8B	ON	NONE	MOM
CONN. TERMS	2-3	OPEN	2-1
SCHEMATIC	SPDT 		

NON-SHORTING TYPE



UNLESS OTHERWISE SPECIFIED, ALL DIMENSIONS ARE IN INCHES [MM].

TO 1 DECIMAL PLACE ±.2  
 TO 2 DECIMAL PLACES ±.10  
 AS ANGLES ±

ISSUE

DATE

A

03/13/01

SPECIFICATIONS

ELECTRICAL

CONTACT RATING:

SILVER: 3A @ 120 VAC OR 28 VDC, 1A @ 250 VAC

GOLD: 0.4 VA MAX. @ 20 V MAX. (AC OR DC)

CONTACT RESISTANCE: 20 MILLIOHMS MAX.

INSULATION RESISTANCE: 1,000 MEGOHMS MIN. AT 500 VDC

DIELECTRIC STRENGTH: 1,000 VRMS

MECHANICAL

LIFE: 30,000 CYCLES

ENVIRONMENTAL

OPERATING TEMPERATURE: -30°C TO +85°C

MATERIAL

CASE: DAP, UL 94V-0

HOUSING: STAINLESS STEEL

ACTUATOR: BRASS, CHROME PLATED

BUSHING: BRASS, NICKEL PLATED

SUPPORT: BRASS, TIN PLATED

CONTACT/TERMINALS: COPPER ALLOY, SILVER OR GOLD PLATED

REGULATORY

UL AND CANADA RECOGNIZED COMPONENT. UL/CUL FILE NO. E173084.

SERIES	MODEL NO.	ACTUATOR	BUSHING	TERMINATION	CONTACT PLATING	SEAL	
SRST	- <input type="text" value=""/> <input type="text" value=""/> <input type="text" value=""/> <input type="text" value=""/> <input type="text" value=""/> <input type="text" value=""/>	- <input type="text" value=""/>	<input type="text" value=""/>	<input type="text" value=""/>	<input type="text" value=""/>	<input type="text" value=""/>	<input type="text" value=""/>
	TS8 TS8A TS8B	S (STD) T U V X	E (STD - THD) E1 (STD - NON-THD) F (THD) F1 (NON-THD) G (THD) G1 (NON-THD) H (THD) H1 (NON-THD) J (THD) J1 (NON-THD)	C (PC MOUNT)	Q (SILVER) R (GOLD)	BLANK E (EPOXY)	



TITLE: TOGGLE SWITCH		PART NO: SRST-TS8X-XXXXX		
DATE: 03/13/01	DRAWN: RB	CHKD:	SCALE: N/A	SHEET: 2 OF 5

UNLESS OTHERWISE SPECIFIED, ALL DIMENSIONS ARE IN INCHES [MM].

TO 1 DECIMAL PLACE ±.2  
 TO 2 DECIMAL PLACES ±.10  
 AS ANGLES ±

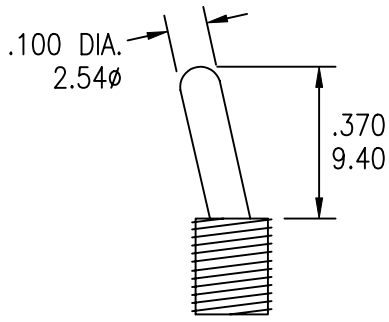
ISSUE

DATE

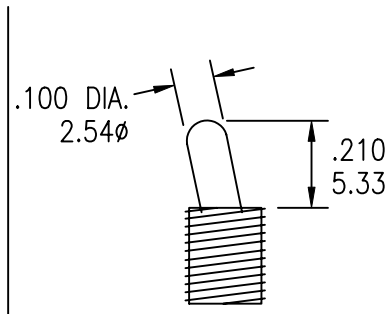
A

03/13/01

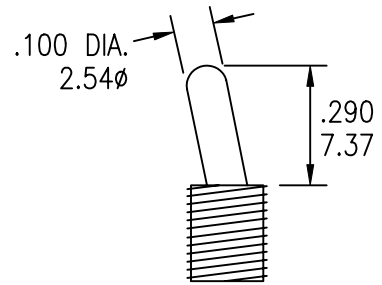
ACTUATOR OPTIONS



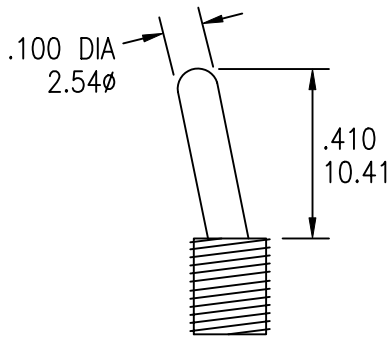
S (STD)



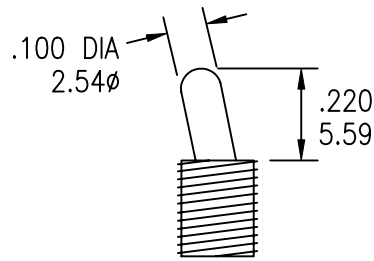
T



U

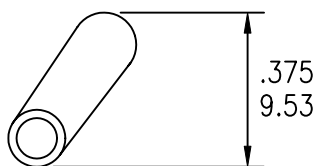


V



X

NOTE: OPTIONAL TOGGLE CAP AVAILABLE.

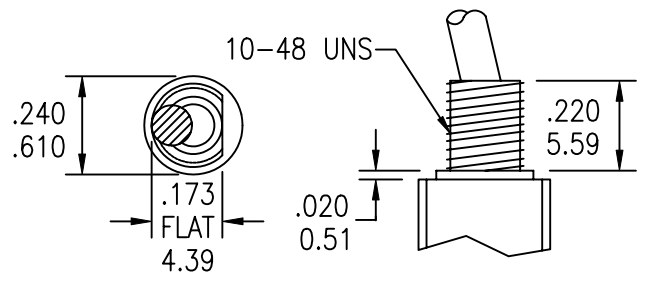


UNLESS OTHERWISE SPECIFIED, ALL DIMENSIONS ARE IN INCHES [MM].

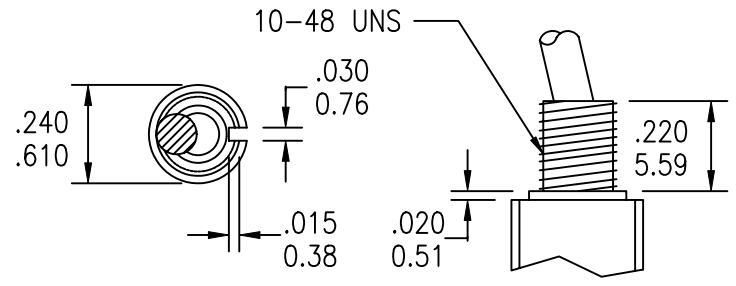
TO 1 DECIMAL PLACE ±.2  
 TO 2 DECIMAL PLACES ±.10  
 AS ANGLES ±

ISSUE	DATE
A	03/13/01

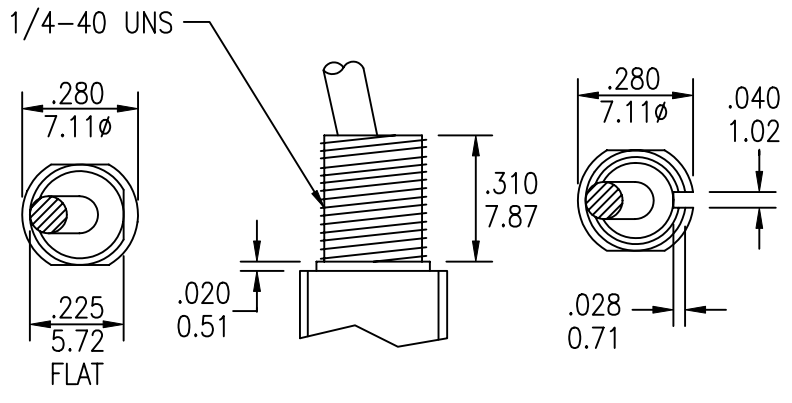
BUSHING OPTIONS



E (STD THD)  
 E1 (STD NON-THD)

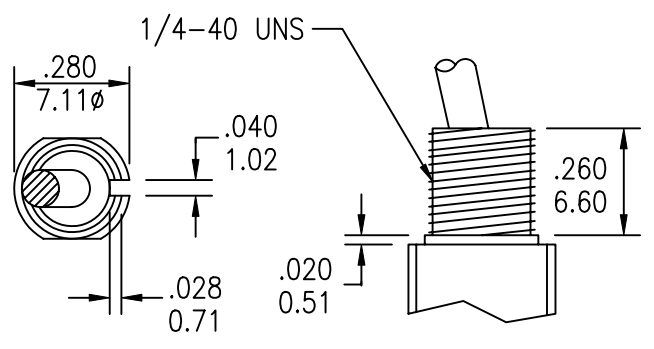


F (THD)  
 F1 (NON-THD)



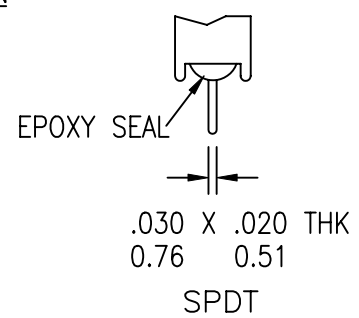
G (THD)  
 G1 (NON-THD)

H (THD)  
 H1 (NON-THD)

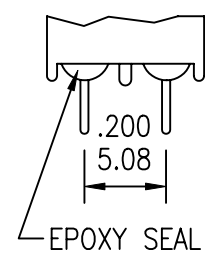


J (THD)  
 J1 (NON-THD)

TERMINATION



SPDT



DPDT

C (PC MOUNT)

UNLESS OTHERWISE SPECIFIED, ALL DIMENSIONS ARE IN INCHES [MM].

TO 1 DECIMAL PLACE ±.2  
 TO 2 DECIMAL PLACES ±.10  
 AS ANGLES ±

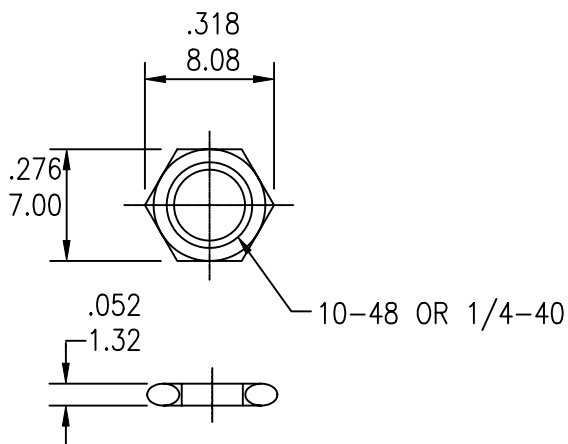
ISSUE

DATE

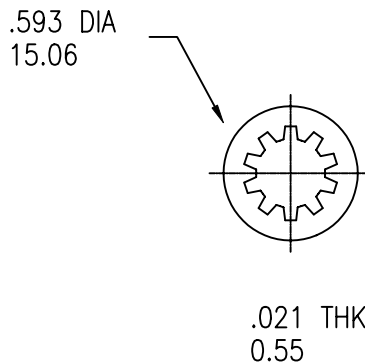
A

03/13/01

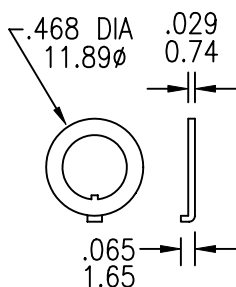
STANDARD NUT



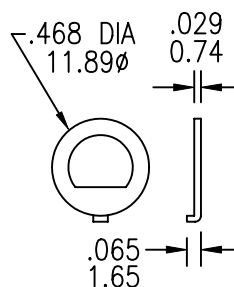
STANDARD LOCK WASHER



LOCKING RING

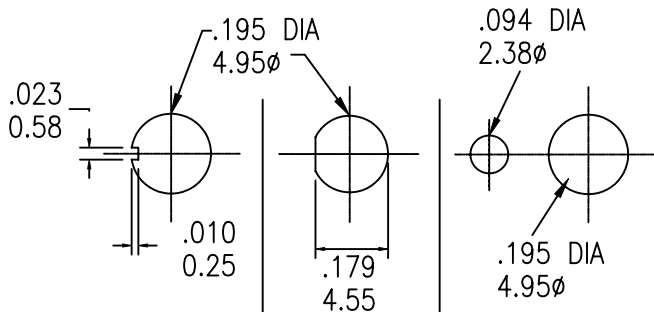


STD FOR F, F1, H, H1, J, AND J1 OPTIONS.



STD FOR E, E1, G, AND G1 OPTIONS.

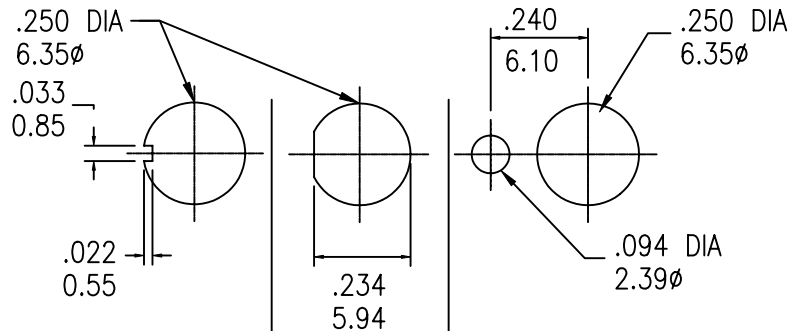
PANEL MOUNTING



FOR F AND F1 OPTIONS

FOR E AND E1 OPTIONS

FOR USE WITH LOCKING RING



FOR H, H1, J, AND J1 OPTIONS

FOR G AND G1 OPTIONS

FOR USE WITH LOCKING RING