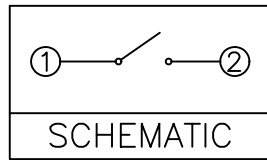
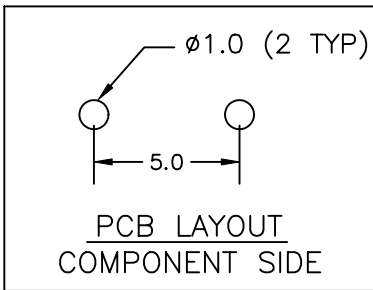
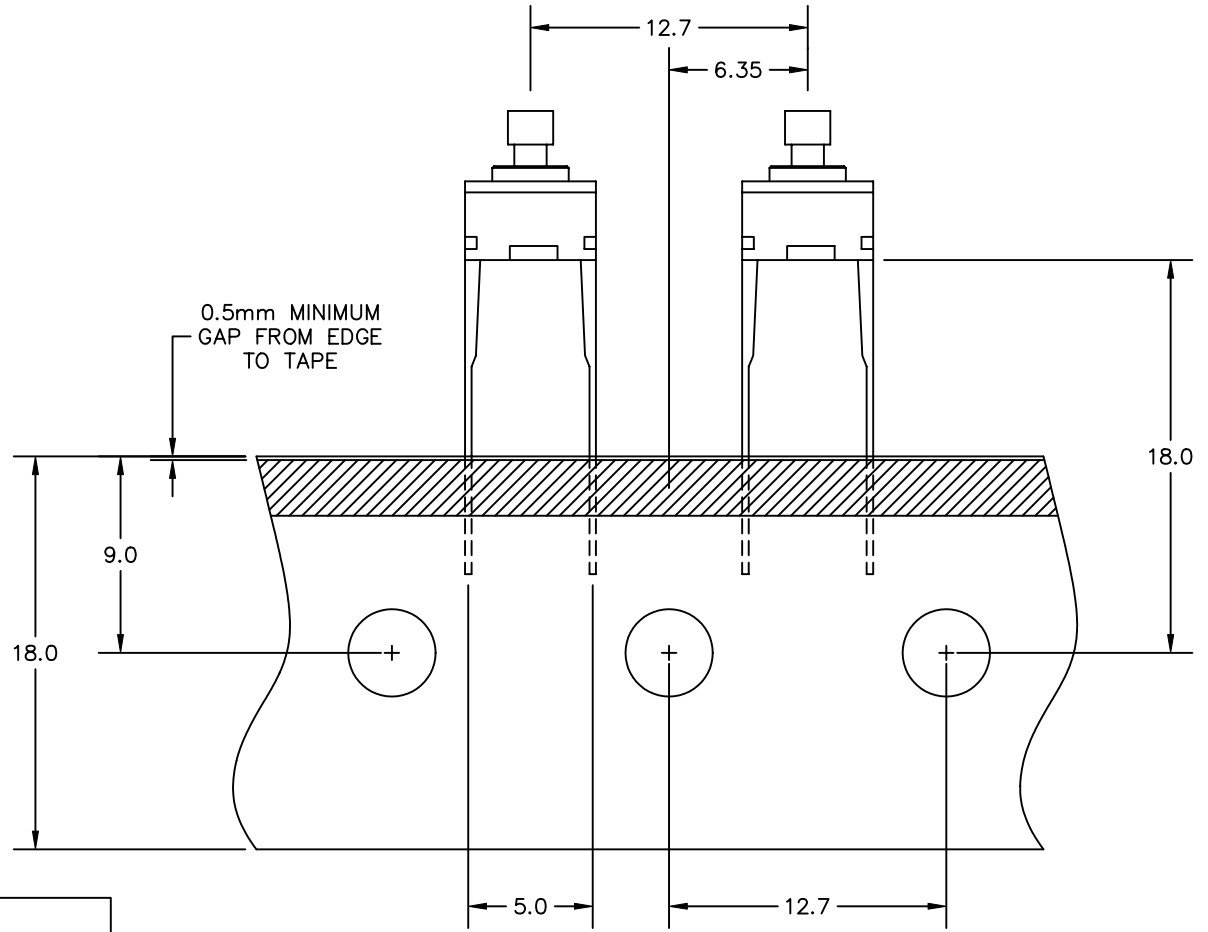
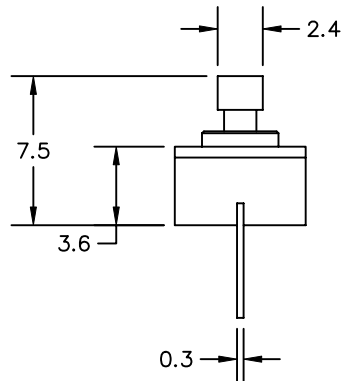
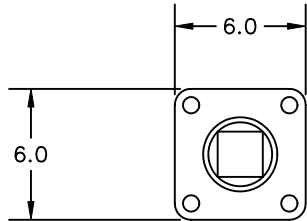


COMPONENT SPECIFICATION

USE OR REPRODUCTION OF THIS DRAWING FOR THE PURPOSE OF MANUFACTURING THIS ARTICLE OR ANY ARTICLES SHOWN FOR ANY PURPOSE IS STRICTLY PROHIBITED WITHOUT WRITTEN PERMISSION FROM SENIOR INDUSTRIES, INC.



SENIOR INDUSTRIES, INC.

| | | | | | | | | | | |
|-----------|-----|----------|------|----------|---|--------|-------|---|----------|--------------|
| DESIGNED: | | | SYM. | DATE: | DESCRIPTION OF REVISIONS: | DRAWN: | APPD: | TOLERANCE: | PART NO: | SRT-KRS-0602 |
| DRAWN: | RB | 01/31/01 | ▲ | 10.29.01 | Ched Actuator sq dim. from 2.4 TO 2.75mm. | RB | TF | | | |
| CHECKED: | GAT | 10/21/05 | ▲ | 03.14.02 | Ched Actuator sq. dim back. | RB | TF | TO 1 DEC. PLACES: ±.3 TO 2 DEC. PLACES: ±.13 | TITLE: | TACT SWITCH |
| APPROVED: | JF | 10/24/05 | ▲ | 12.03.04 | Tape Info added. 0.5 gap fr tape note added | GAT | JF | | | |
| | | | ▲ | 02.18.05 | New Index. Corr: Actuator Color: Blue & UL94HB. | GAT | TF | AS ANGLES: ±1/2° | SHEET: | 1 OF 2 |
| | | | ▲ | 10.21.05 | Corr dome contact mat. fr SS to Cu alloy, Ag pl't'd | GAT | JF | | | |
| 3RD ANGLE | | UNIT: | mm | SCALE: | 3:1 | REV: | F | | | |

1

2

3

4

5

COMPONENT
SPECIFICATIONUSE OR REPRODUCTION OF THIS DRAWING FOR THE PURPOSE OF MANUFACTURING THIS
ARTICLE OR ANY ARTICLES SHOWN FOR ANY PURPOSE IS STRICTLY PROHIBITED WITHOUT
WRITTEN PERMISSION FROM SENIOR INDUSTRIES, INC.SPECIFICATIONSELECTRICAL

CONTACT RATING: 50mA AT 12 VDC
 CONTACT RESISTANCE: 100 MILLIOHMS MAX.
 INSULATION RESISTANCE: 100 MEGOHMS MIN. AT 100 VDC
 DIELECTRIC STRENGTH: 250 VAC FOR 1 MINUTE

MECHANICAL

OPERATING LIFE: 100,000 CYCLES MIN.
 OPERATING FORCE: 160 ± 30gf
 TRAVEL: 0.25 ± 0.1mm

MATERIAL

HOUSING: NYLON 4/6, UL94HB, BLACK
 ACTUATOR: NYLON 4/6, UL94HB, BLUE
 TERMINALS: 0.3MM BRASS, SILVER PLATED
 DOME CONTACT: COPPER ALLOY, SILVER PLATED

ENVIRONMENTAL

OPERATING TEMPERATURE: -20°C TO +70°C
 STORAGE TEMPERATURE: -30°C TO +80°C
 SOLDERING TEMPERATURE:
 REFLOW SOLDERING: 285°C FOR 5 SECONDS
 WAVE SOLDERING: 255°C FOR 5 SECONDS

**SENIOR
INDUSTRIES, INC.**

| DESIGNED: | | | SYM. | DATE: | DESCRIPTION OF REVISIONS: | DRAWN: | APPD: | TOLERANCE: | PART NO: | TITLE: |
|-----------|-----|----------|------|----------|--|--------|-------|---------------------|----------|--------|
| DRAWN: | RB | 01/31/01 | △ | 10.29.01 | Ched Actuator sq dim. from 2.4 TO 2.75mm. | RB | TF | | | |
| CHECKED: | GAT | 10/21/05 | △ | 03.14.02 | Ched Actuator sq. dim back. | RB | TF | TO 2 DEC. PLACES: ± | SHEET: | 2 OF 2 |
| APPROVED: | JF | 10/24/05 | △ | 12.03.04 | Tape Info added. 0.5 gap fr tape note added | GAT | JF | | | |
| | | | △ | 02.18.05 | New Index. Corr: Actuator Color: Blue & UL94HB. | GAT | TF | | | |
| | | | △ | 10.21.05 | Corr dome contact mat. fr SS to Cu alloy, Ag pit'd | GAT | JF | | | |
| 3RD ANGLE | | UNIT: | mm | SCALE: | | REV: | F | AS ANGLES: | | |