

UNLESS OTHERWISE SPECIFIED, ALL DIMENSIONS ARE IN METRIC.

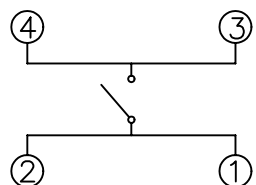
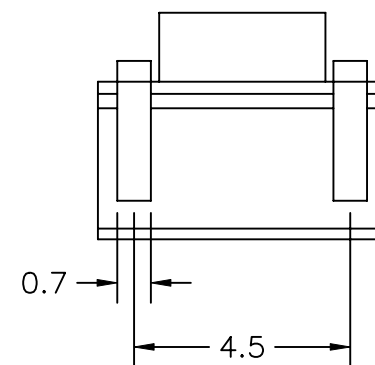
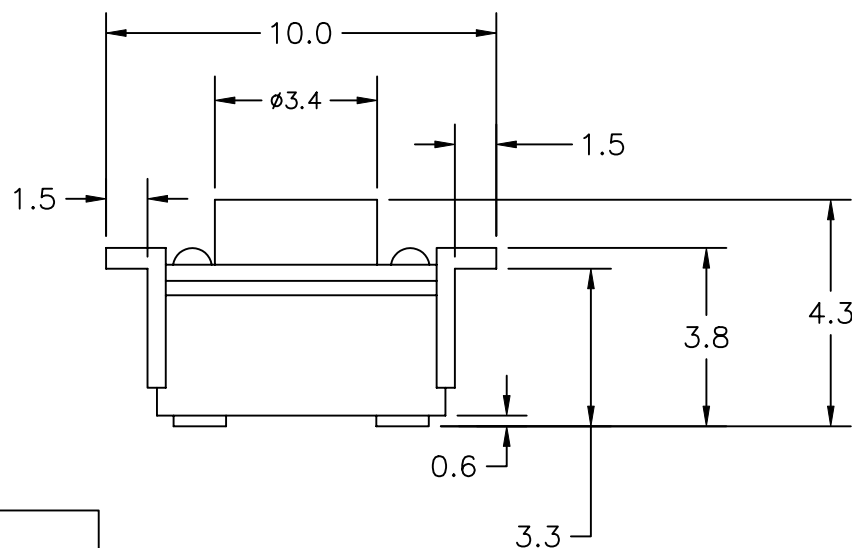
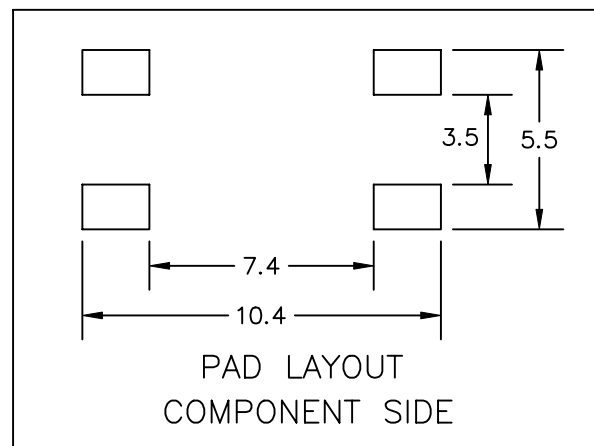
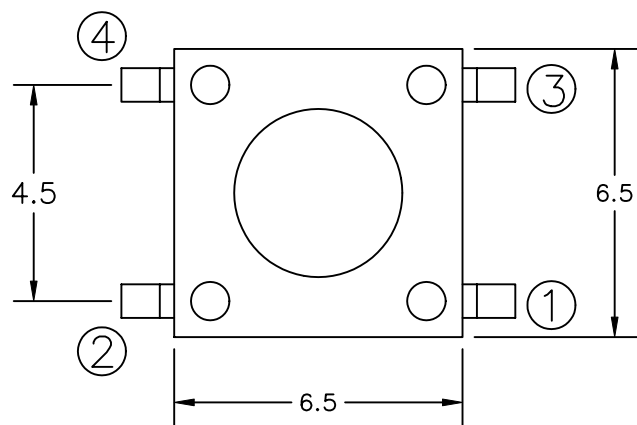
TO 1 DECIMAL PLACE  
TO 2 DECIMAL PLACES ±.3  
AS ANGLES ±1/2°

ISSUE

DATE

A

11/20/03



SCHEMATIC

**SR** SENIOR INDUSTRIES, INC.

TITLE:

TACT SWITCH

PART NO:

SRT-KRS-0650

DATE:

02/22/00

DRAWN:

RB

CHKD:

SCALE:

6:1

SHEET:

1 OF 2

UNLESS OTHERWISE SPECIFIED, ALL DIMENSIONS ARE IN METRIC.

TO 1 DECIMAL PLACE  
TO 2 DECIMAL PLACES ±.3  
AS ANGLES ±1/2°

ISSUE

DATE

A

11/20/03

SPECIFICATIONS

ELECTRICAL:

CONTACT RATING: 50mA @ 50VDC  
CONTACT RESISTANCE: 50 MILLIOHMS MAX.  
DC RESISTANCE  
INSULATION RESISTANCE: 100 MEGOHMS  
MIN. @ 500VDC  
DIELECTRIC STRENGTH: 250VAC FOR 1 MINUTE

MECHANICAL:

OPERATING LIFE: 500,000 CYCLES  
OPERATING FORCE: 160 gf  
TRAVEL: 0.25mm

MATERIAL:

FRAME: STEEL TIN PLATED  
HOUSING: NYLON 4/6 G30 UL94V-0, BLACK  
ACTUATOR: NYLON 4/6 G30 UL94V-0, BLACK  
CONTACT: PHOSPHOR BRONZE, SILVER PLATED  
TERMINAL: BRASS, SILVER PLATED

ENVIRONMENTAL:

OPERATING TEMPERATURE: -20°C TO +70°C  
STORAGE TEMPERATURE: -30°C TO +80°C



**SENIOR  
INDUSTRIES, INC.**

TITLE:

TACT SWITCH

PART NO:

SRT-KRS-0650

DATE:

02/22/00

DRAWN:

RB

CHKD:

SCALE:

N/A

SHEET:

2 OF 2