

1

2

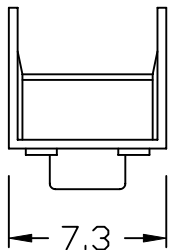
3

4

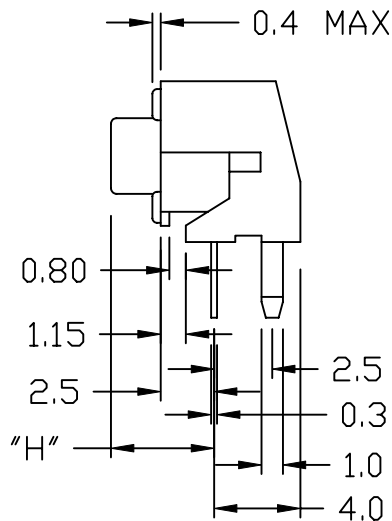
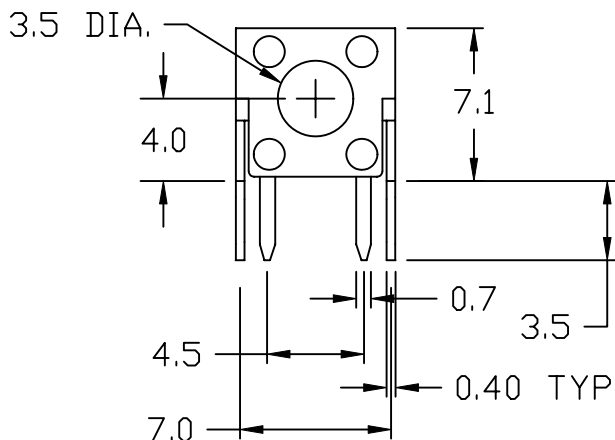
COMPONENT SPECIFICATION

USE OR REPRODUCTION OF THIS DRAWING FOR THE PURPOSE OF MANUFACTURING THIS ARTICLE OR ANY ARTICLES SHOWN FOR ANY PURPOSE IS STRICTLY PROHIBITED WITHOUT WRITTEN PERMISSION FROM SENIOR INDUSTRIES, INC.

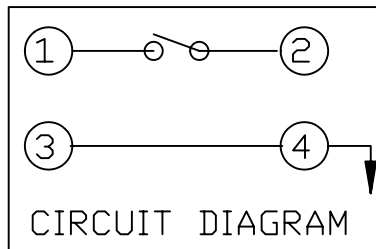
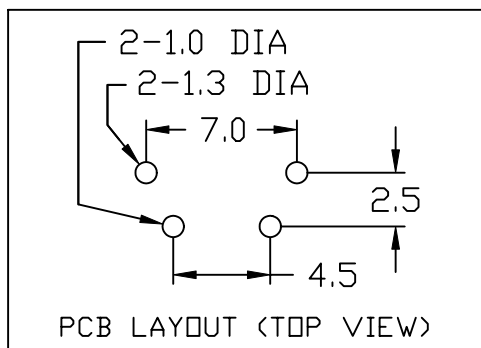
A



B



C



D

-D	8.35	NOTE: THIRD 'X' DENOTES ACTUATOR COLOR	
-C	5.85	-C	260 ± 30gf
-B	3.85	-B	160 ± 30gf
-A	3.15	-A	120 ± 30gf
PART NO. SUFFIX	"H" DIMENSION	PT NO. SUFFIX	OPERATING FORCE
FIRST LETTER OF PART NUMBER SUFFIX		SECOND LETTER OF PART NUMBER SUFFIX	

E

DESIGNED:			SYMBOL	DATE:	DESCRIPTION OF REVISIONS:	DRAWN	APPD.
DRAWN:	GAT	02/08/07	▲	02.08.07	NEW	GAT	JF
CHECKED:	GAT	02/08/07	▲	.	.		
APPROVED:	JF	02/08/07	▲	.	.		

3RD ANGLE		UNIT:	mm	SCALE:	3:1	REV.	A
-----------	--	-------	----	--------	-----	------	---



TOLERANCE:	PART NO:
TO 1 DECIMAL PLACE: ±.3	SRT-KRS-0711B-XX-X
TO 2 DECIMAL PLACES: ±.12	TITLE:
AS ANGLES: ±1/2°	TACT SWITCH
SHEET:	1 OF 2

COMPONENT
SPECIFICATIONUSE OR REPRODUCTION OF THIS DRAWING FOR THE PURPOSE OF MANUFACTURING THIS
ARTICLE OR ANY ARTICLES SHOWN FOR ANY PURPOSE IS STRICTLY PROHIBITED WITHOUT
WRITTEN PERMISSION FROM SENIOR INDUSTRIES, INC.SPECIFICATIONSELECTRICAL

CONTACT RATING: 50 mA AT 12 VDC
 CONTACT RESISTANCE: 100 MILLIOHMS MAX.
 INSULATION RESISTANCE: 100 MEGOHMS MIN. AT 500 VDC
 DIELECTRIC STRENGTH: 250 VAC FOR 1 MINUTE

MECHANICAL

SWITCH STRENGTH: WITH SWITCH IN A VERTICAL POSITION,
 IT SHALL WITHSTAND A STATIC LOAD OF
 3 Kgf APPLIED TO THE ACTUATOR IN THE
 DIRECTION OF OPERATION FOR 15 SECONDS

ENVIRONMENTAL

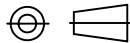
OPERATING TEMPERATURE: -25° C TO +70° C
 STORAGE TEMPERATURE: -30° C TO +80° C
 HUMIDITY RANGE 10% RH TO 80% RH

MATERIAL

FRAME: STEEL, TIN PLATED 100 MICRONS MIN.
 HOUSING: BLACK NYLON, UL 94V-0 RATED
 ACTUATOR: NYLON, UL 94V-0 RATED
 CONTACT: PHOSPHOR BRONZE, SILVER PLATED
 TERMINAL: BRASS, SILVER PLATED

DESIGNED:			SYM.	DATE:	DESCRIPTION OF REVISIONS:	DRAWN	APPD.
DRAWN:	GAT	02/08/07	△	02.08.07	NEW	GAT	JF
CHECKED:	GAT	02/08/07	△	. .			
APPROVED:	JF	02/08/07	△	. .			
			△	. .			

3RD ANGLE



UNIT:

mm

SCALE:

REV.

A


**SENIOR
INDUSTRIES, INC.**

TOLERANCE:

TO 1 DECIMAL PLACE: ±

TO 2 DECIMAL PLACES: ±

AS ANGLES: ± °

SHEET:

PART NO:

SRT-KRS-0711B-XX-X

TITLE:

TACT SWITCH

2 OF 2