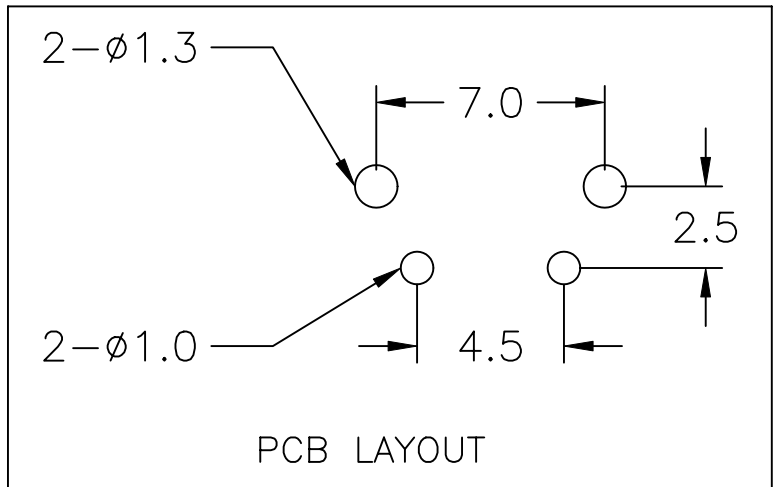
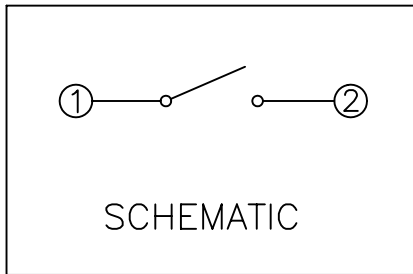
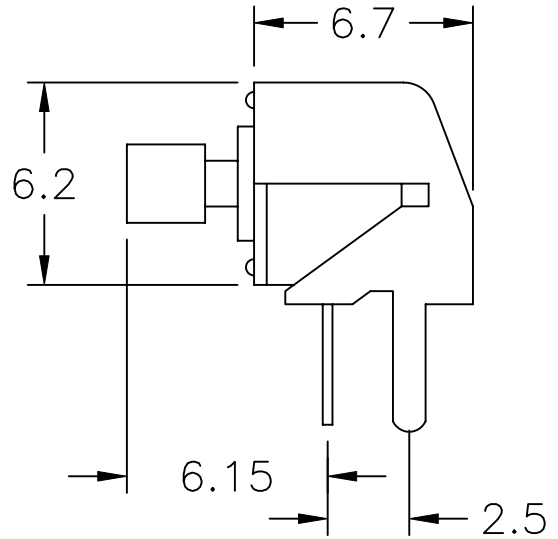
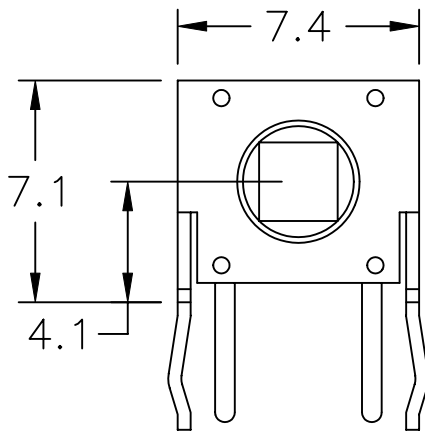
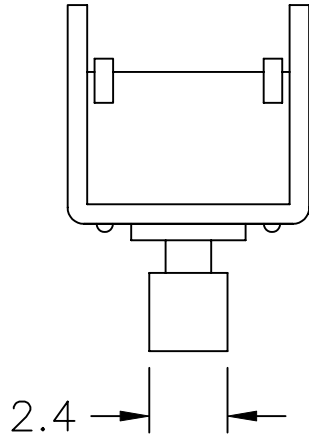


USE OR REPRODUCTION OF THIS DRAWING FOR THE PURPOSE OF MANUFACTURING THIS ARTICLE OR ANY ARTICLES SHOWN FOR ANY PURPOSE IS STRICTLY PROHIBITED WITHOUT WRITTEN PERMISSION FROM SENIOR INDUSTRIES, INC.

CUSTOMER SPECIFICATION DRAWING



USE OR REPRODUCTION OF THIS DRAWING FOR THE PURPOSE OF MANUFACTURING THIS ARTICLE OR ANY ARTICLES SHOWN FOR ANY PURPOSE IS STRICTLY PROHIBITED WITHOUT WRITTEN PERMISSION FROM SENIOR INDUSTRIES, INC.

CUSTOMER  
SPECIFICATION  
DRAWING

## SPECIFICATIONS

### ELECTRICAL

CONTACT RATING: 50mA AT 12 VDC  
CONTACT RESISTANCE: 100 MILLIOHMS MAX.  
INSULATION RESISTANCE: 100 MEGOHMS MIN. AT 100 VDC  
DIELECTRIC STRENGTH: 250 VAC FOR 1 MINUTE

### MECHANICAL

OPERATING LIFE: 100,000 CYCLES MIN.  
OPERATING FORCE: 160 gf  
TRAVEL: 0.25 mm

### ENVIRONMENTAL

OPERATING TEMPERATURE: -25°C TO +70°C  
STORAGE TEMPERATURE: -30°C TO +80°C

### MATERIAL

FRAME: STEEL, TIN PLATED  
HOUSING: NYLON, UL 94V-0, BLACK  
ACTUATOR: NYLON, UL 94V-0  
CONTACT: PHOSPHOR BRONZE, SILVER PLATED  
TERMINAL: BRASS, SILVER PLATED



**SENIOR  
INDUSTRIES, INC.**

TITLE:

TACT SWITCH

PART NO:

SRT-KRS-0740

DATE:

06/25/01

DRAWN:

RB

REV.

A

SCALE:

N/A

SHEET:

2 OF 2