

1

2

3

4

COMPONENT SPECIFICATION

USE OR REPRODUCTION OF THIS DRAWING FOR THE PURPOSE OF MANUFACTURING THIS ARTICLE OR ANY ARTICLES SHOWN FOR ANY PURPOSE IS STRICTLY PROHIBITED WITHOUT WRITTEN PERMISSION FROM SENIOR INDUSTRIES, INC.

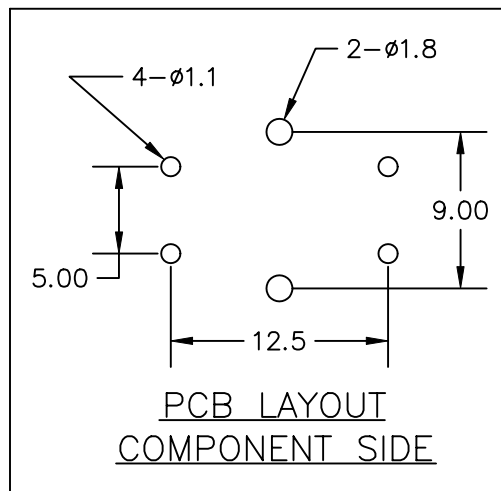
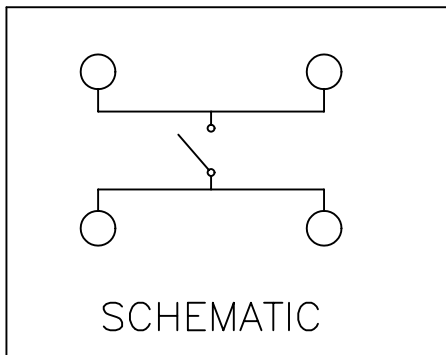
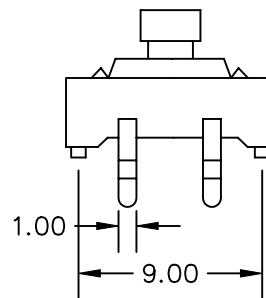
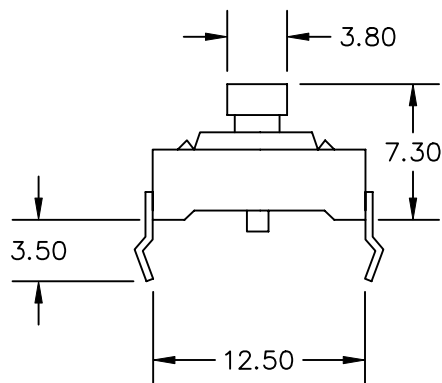
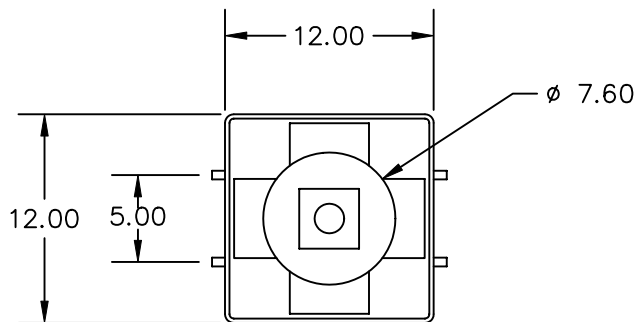
A

B

C

D

E



DESIGNED:			SYM.	DATE:	DESCRIPTION OF REVISIONS:	DRAWN	APPD.	
DRAWN:	RB	05/22/01	▲	02.15.05	NEW	GAT	JF	
CHECKED:	GAT	08/08/08	▲	08.08.08	Updated temperature rating.	GAT	JF	
APPROVED:	JF	08/08/08	▲					
3RD ANGLE			UNIT:		mm	SCALE:	REV.	B



TOLERANCE:		PART NO:
TO 1 DECIMAL PLACE:	±.3	SRT-KRS-1273-C
TO 2 DECIMAL PLACES:	±.13	TITLE:
AS ANGLES:	±1/2°	TACT SWITCH
SHEET:		1 OF 2

1

2

3

4

COMPONENT
SPECIFICATIONUSE OR REPRODUCTION OF THIS DRAWING FOR THE PURPOSE OF MANUFACTURING THIS
ARTICLE OR ANY ARTICLES SHOWN FOR ANY PURPOSE IS STRICTLY PROHIBITED WITHOUT
WRITTEN PERMISSION FROM SENIOR INDUSTRIES, INC.SPECIFICATIONSELECTRICAL

CONTACT RATING: 50mA AT 12 VDC
 CONTACT RESISTANCE: 100 MILLIOHMS MAX.
 INSULATION RESISTANCE: 100 MEGOHMS MIN. AT 500 VDC
 DIELECTRIC STRENGTH: 250 VAC FOR 1 MINUTE

MECHANICAL

OPERATING LIFE: 100,000 CYCLES MIN.
 TRAVEL: 0.25
 ACTUATION FORCE: 280gf

ENVIRONMENTAL

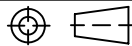
OPERATING TEMPERATURE: -35°C TO +70°C
 STORAGE TEMPERATURE: -35°C TO +80°C

MATERIAL

HOUSING: NYLON 4/6 G30, UL94V-0, BLACK
 ACTUATOR: NYLON 4/6 G30, UL94V-0, BLACK
 TERMINALS: BRASS, SILVER PLATED
 CONTACT: STAINLESS STEEL

DESIGNED:			SYM.	DATE:	DESCRIPTION OF REVISIONS:	DRAWN	APPD.
DRAWN:	RB	05/22/01	△	02.15.05	NEW	GAT	JF
CHECKED:	JF	08/08/08	△	08.08.08	Updated temperature rating.	GAT	JF
APPROVED:	JF	08/08/08	△				
			△				

3RD ANGLE



UNIT:

SCALE:

REV.

B


**SENIOR
INDUSTRIES, INC.**

TOLERANCE:

TO 1 DECIMAL PLACE: ±

TO 2 DECIMAL PLACES: ±

AS ANGLES: ± °

SHEET:

PART NO: SRT-KRS-1273-C

TITLE:

TACT SWITCH

2 OF 2