

UNLESS OTHERWISE SPECIFIED, ALL DIMENSIONS ARE IN INCHES [MM].

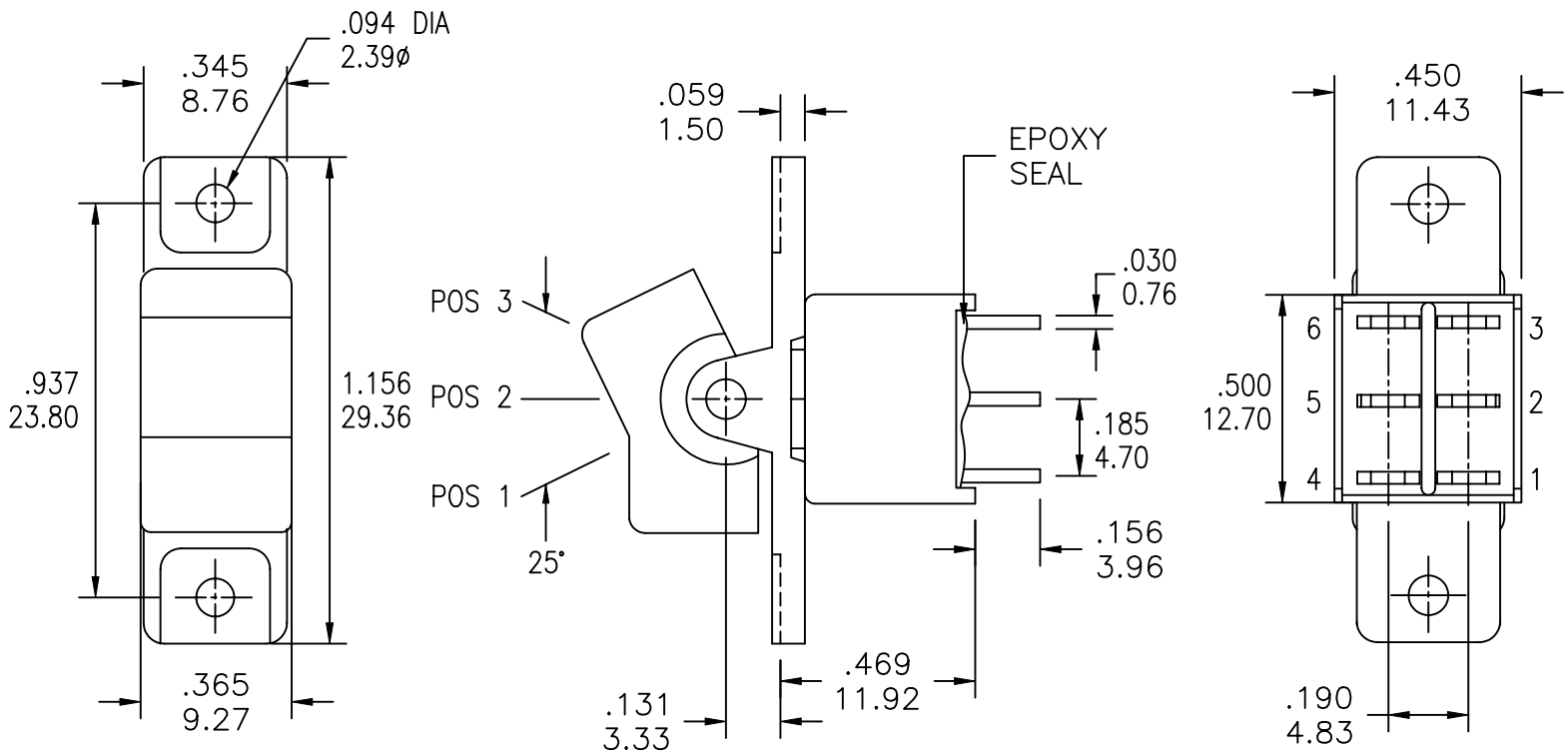
TO 1 DECIMAL PLACE ±.2  
 TO 2 DECIMAL PLACES ±.10  
 AS ANGLES ±

ISSUE

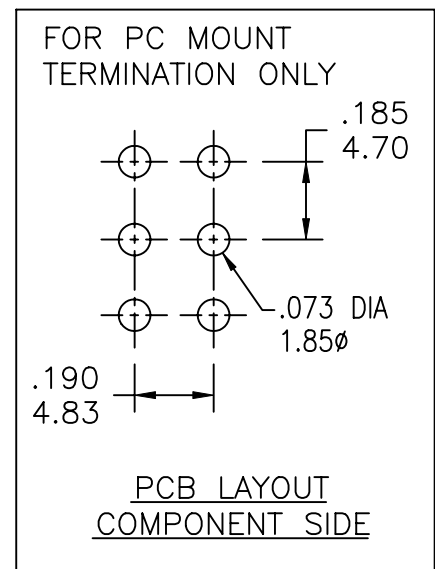
DATE

A

05/30/07



MODEL NO.	SWITCHING POSITION		
8017	ON	NONE	ON
8017A	ON	NONE	MOM
8018	ON	OFF	ON
8018A	MOM	OFF	MOM
8018B	ON	OFF	MOM
CONN. TERMS	2-3 5-6	OPEN	2-1 5-4
SCHEMATIC	DPDT		



UNLESS OTHERWISE SPECIFIED, ALL DIMENSIONS ARE IN INCHES [MM].	TO 1 DECIMAL PLACE	±.2	ISSUE	DATE
	TO 2 DECIMAL PLACES	±.10	A	05/30/07
	AS ANGLES	±		

SPECIFICATIONS

ELECTRICAL

CONTACT RATING:

SILVER: 5A @ 120 VAC OR 28 VDC, 2A @ 250 VAC  
 GOLD: 0.4 VA MAX. @ 20 V MAX. (AC OR DC)

CONTACT RESISTANCE: 10 MILLIOHMS MAX.

INSULATION RESISTANCE: 1,000 MEGOHMS MIN. AT 500 VDC

DIELECTRIC STRENGTH: 1,000 VRMS

MECHANICAL

LIFE: 30,000 CYCLES

ENVIRONMENTAL:

OPERATING TEMPERATURE: -30°C TO +85°C

MATERIAL:

CASE AND BUSHING: GLASS FILLED NYLON 6/6, UL94V-0  
 ACTUATOR: NYLON, BLACK STD. INTERNAL O-RING SEAL STD.  
 FRAME: SPRING STEEL, BLACK STD.  
 SWITCH SUPPORT: BRASS OR STEEL, TIN PLATED  
 ACTUATOR PIVOT AND MOUNTING BRACKET: NYLON  
 ACTUATOR PIVOT RETAINER: STAINLESS STEEL  
 CONTACT/TERMINALS: COPPER ALLOY, SILVER OR GOLD PLATED

PART NUMBER BUILDER:

SERIES	MODEL NO.	ACTUATOR	ACTUATOR COLOR	TERMINATION	CONTACT PLATING	SEAL	VERTICAL SUPPORT BRACKET
SSMR -	<input type="text"/>	- <input type="text"/>	<input type="text"/>	<input type="text"/>	<input type="text"/>	<input type="text"/>	<input type="text"/>
	8017	R11 (.531" ROCKER)	1 - BLUE		Q (SILVER) R (GOLD)	BLANK E (EPOXY)	BLANK S20 S30
	8017A	R12 (.362" SMALL ROCKER)	2 - RED				
	8018	P13 (.740" PADDLE)	3 - BLACK (std)				
	8018A	P17 (.644" SMALL PADDLE)	4 - BROWN	B (SOLDER LUG)			
	8018B	P18 (.644 ROUND PADDLE)	5 - GREEN	C (PC MOUNT)			
		P19 (.894" ROUND LARGE PADDLE)	6 - WHITE	D (QUICK CONNECT)			
		PC MOUNT ONLY:	7 - GRAY	D1 (WIRE WRAP - .737)			
		R15 (.906" LARGE ROCKER)	8 - ORANGE	D2 (WIRE WRAP - .953)			
		P16 (1.174" LARGE PADDLE)	9 - YELLOW	D3 (WIRE WRAP - .415)			
			0 - VIOLET	D4 (WIRE WRAP - 1.062)			



TITLE: SSMR 8017/8018 SEALED ROCKER/PADDLE SWITCHES			PART NO: SEE CHART		
DATE: 05/30/07	DRAWN: GAT	CHKD: JF	SCALE:	SHEET: 2 OF 6	

UNLESS OTHERWISE SPECIFIED, ALL DIMENSIONS ARE IN INCHES [MM].

TO 1 DECIMAL PLACE ±.2  
 TO 2 DECIMAL PLACES ±.10  
 AS ANGLES ±

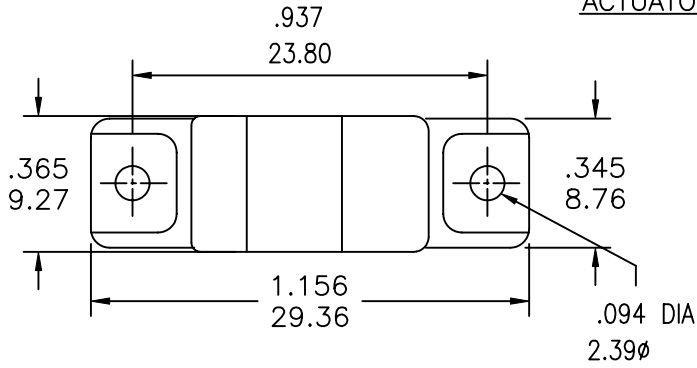
ISSUE

DATE

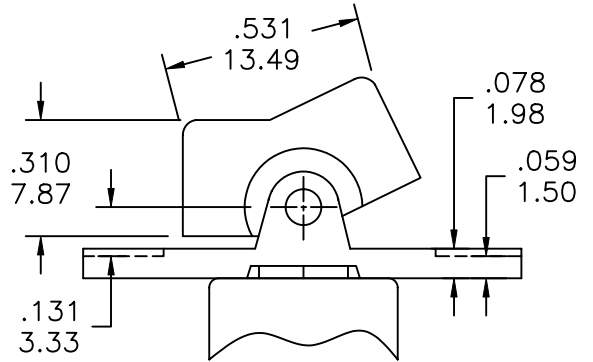
A

05/30/07

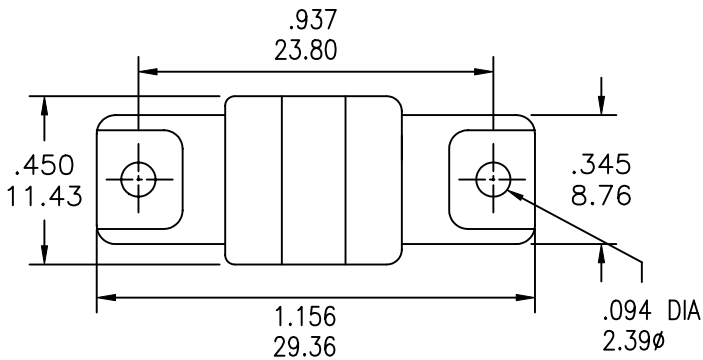
ACTUATOR OPTIONS



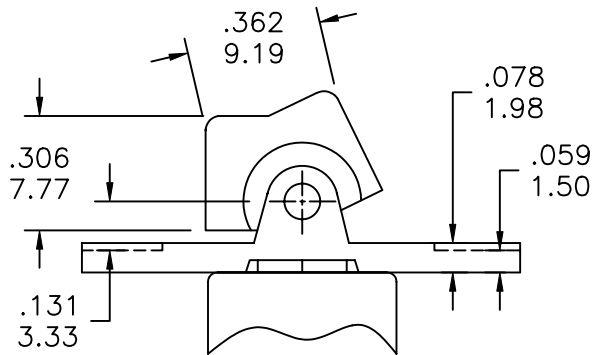
R11



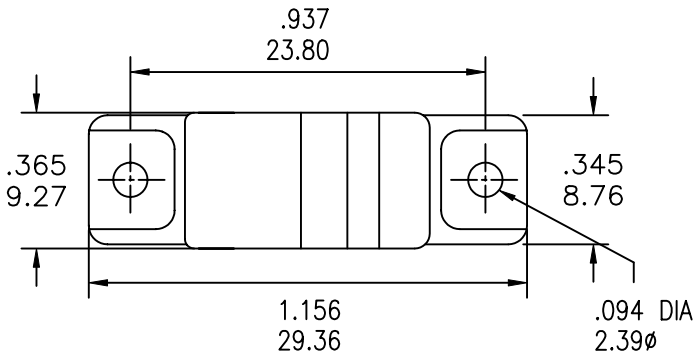
PANEL MOUNTING



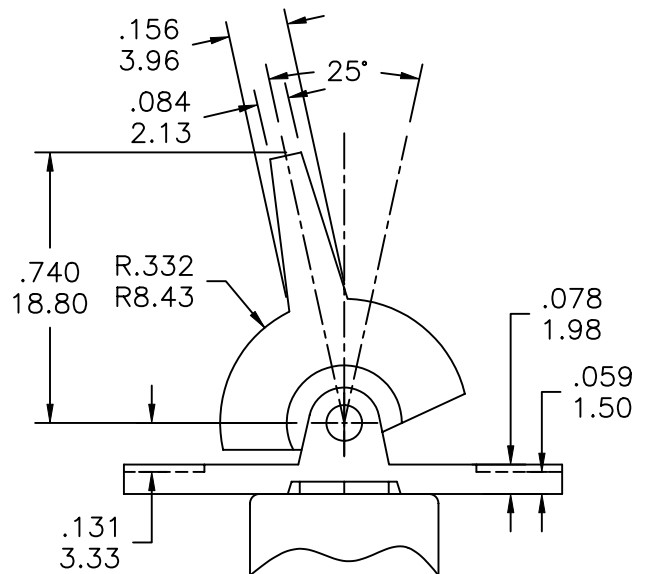
R12



PANEL MOUNTING



P13



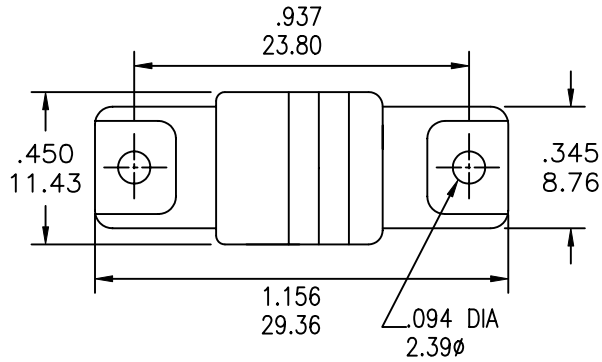
PANEL MOUNTING

UNLESS OTHERWISE SPECIFIED, ALL DIMENSIONS ARE IN INCHES [MM].

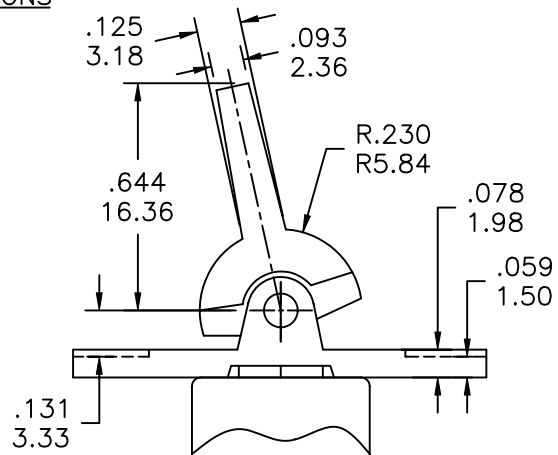
TO 1 DECIMAL PLACE ±.2  
 TO 2 DECIMAL PLACES ±.10  
 AS ANGLES ±

ISSUE	DATE
A	05/30/07

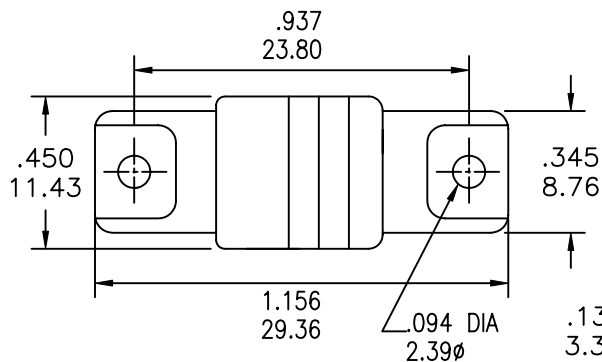
ACTUATOR OPTIONS



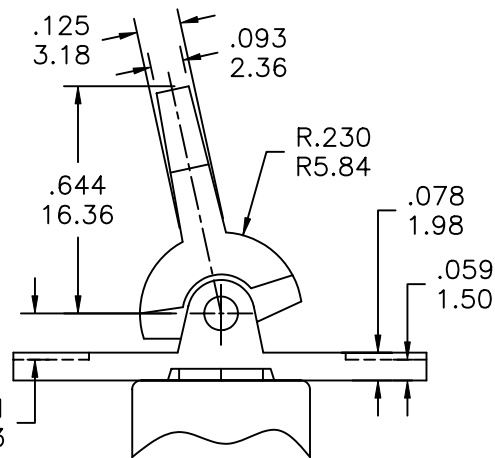
P17



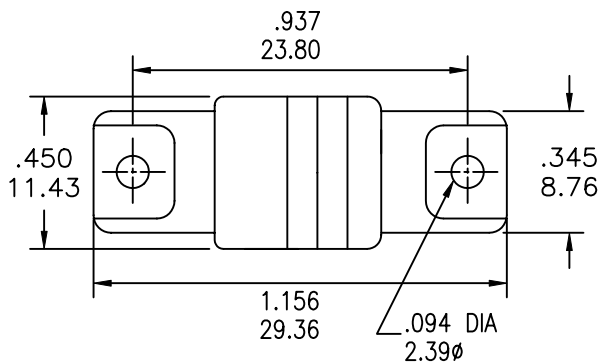
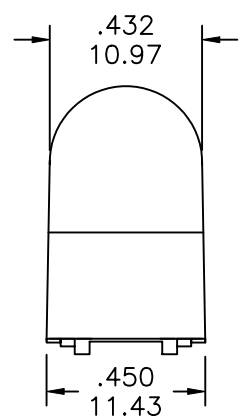
PANEL MOUNTING



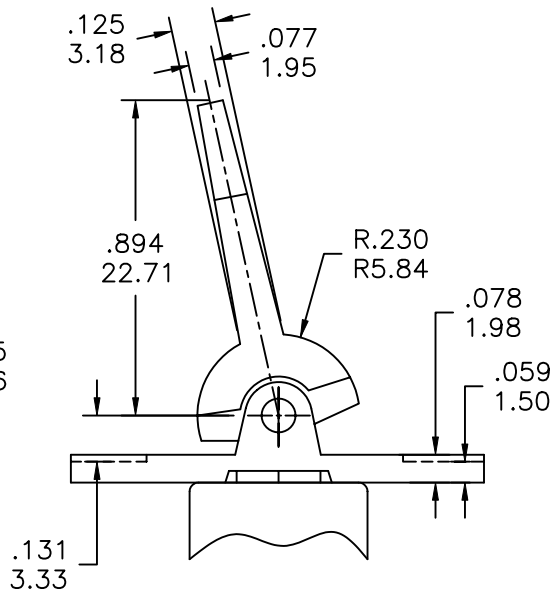
P18



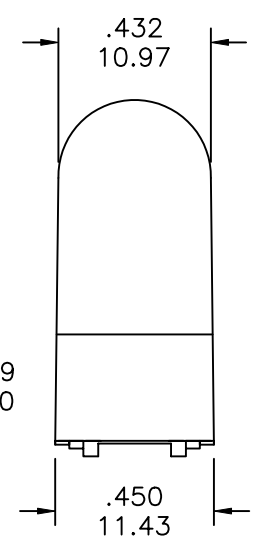
PANEL MOUNTING



P19



PANEL MOUNTING



TITLE:	SSMR 8017/8018 SEALED ROCKER/PADDLE SWITCHES	PART NO:	SEE CHART
DATE:	05/30/07	DRAWN:	GAT
		CHKD:	JF
		SCALE:	2/1
		SHEET:	4 OF 6

UNLESS OTHERWISE SPECIFIED, ALL DIMENSIONS ARE IN INCHES [MM].

TO 1 DECIMAL PLACE ±.2  
 TO 2 DECIMAL PLACES ±.10  
 AS ANGLES ±

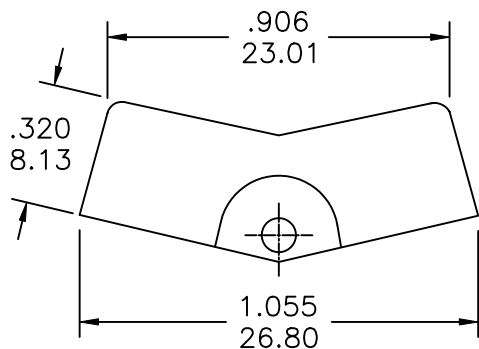
ISSUE

DATE

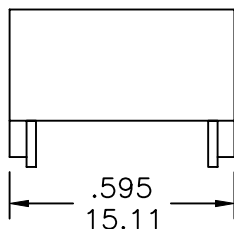
A

05/30/07

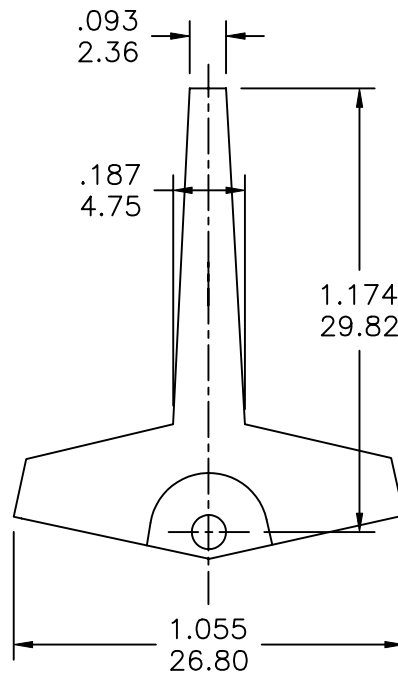
ACTUATOR OPTIONS



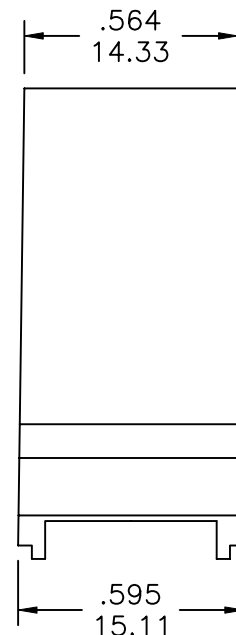
R15



P.C. MOUNT



P16



P.C. MOUNT

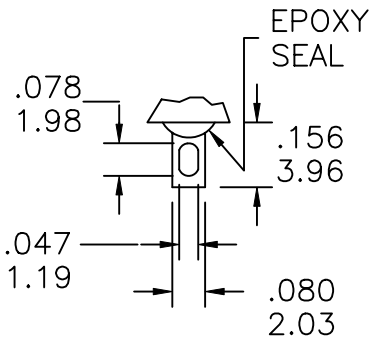
UNLESS OTHERWISE SPECIFIED, ALL DIMENSIONS ARE IN INCHES [MM].

TO 1 DECIMAL PLACE ±.2  
 TO 2 DECIMAL PLACES ±.10  
 AS ANGLES ±

ISSUE	DATE
A	05/30/07

TERMINATION OPTIONS

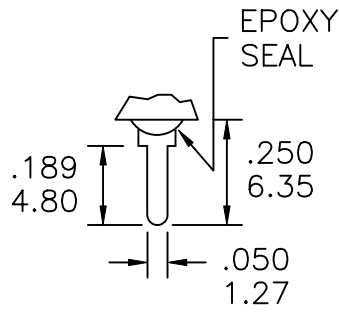
SOLDER LUG



THK. .030 [0.76]

B

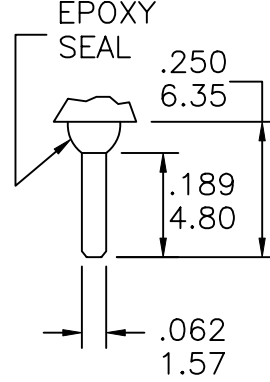
PC MOUNT



THK. .030 [0.76]

C

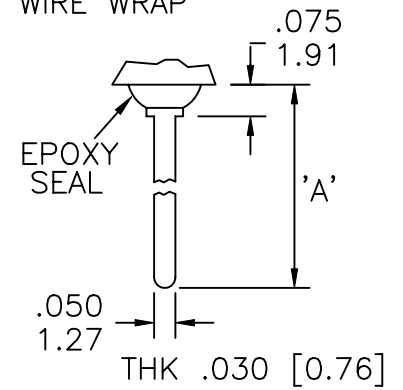
QUICK CONNECT



THK .030 [0.76]

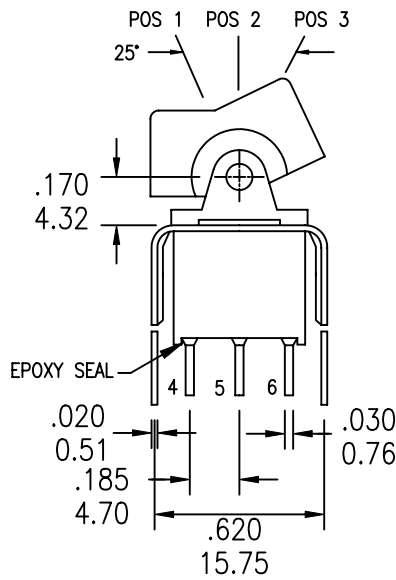
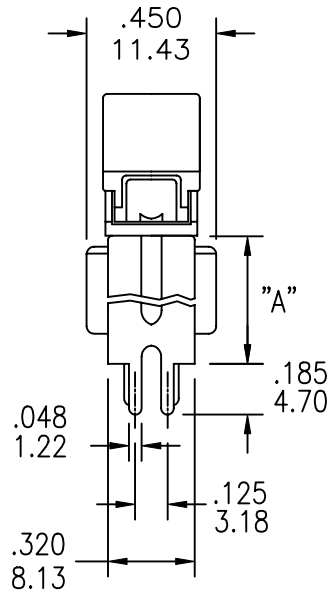
D

WIRE WRAP

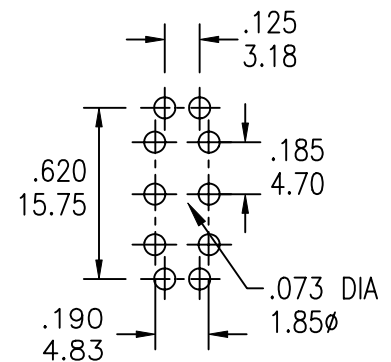


	'A'
D1	.737(18.72)
D2	.953(24.20)
D3	.415(10.55)
D4	1.062(26.97)

VERTICAL SUPPORT BRACKET



P.C. MOUNTING



OPTION CODE	DIM. "A"
S20	.460 [11.68]
S30	.630 [16.00]