

UNLESS OTHERWISE SPECIFIED, ALL DIMENSIONS ARE IN INCHES [MM].

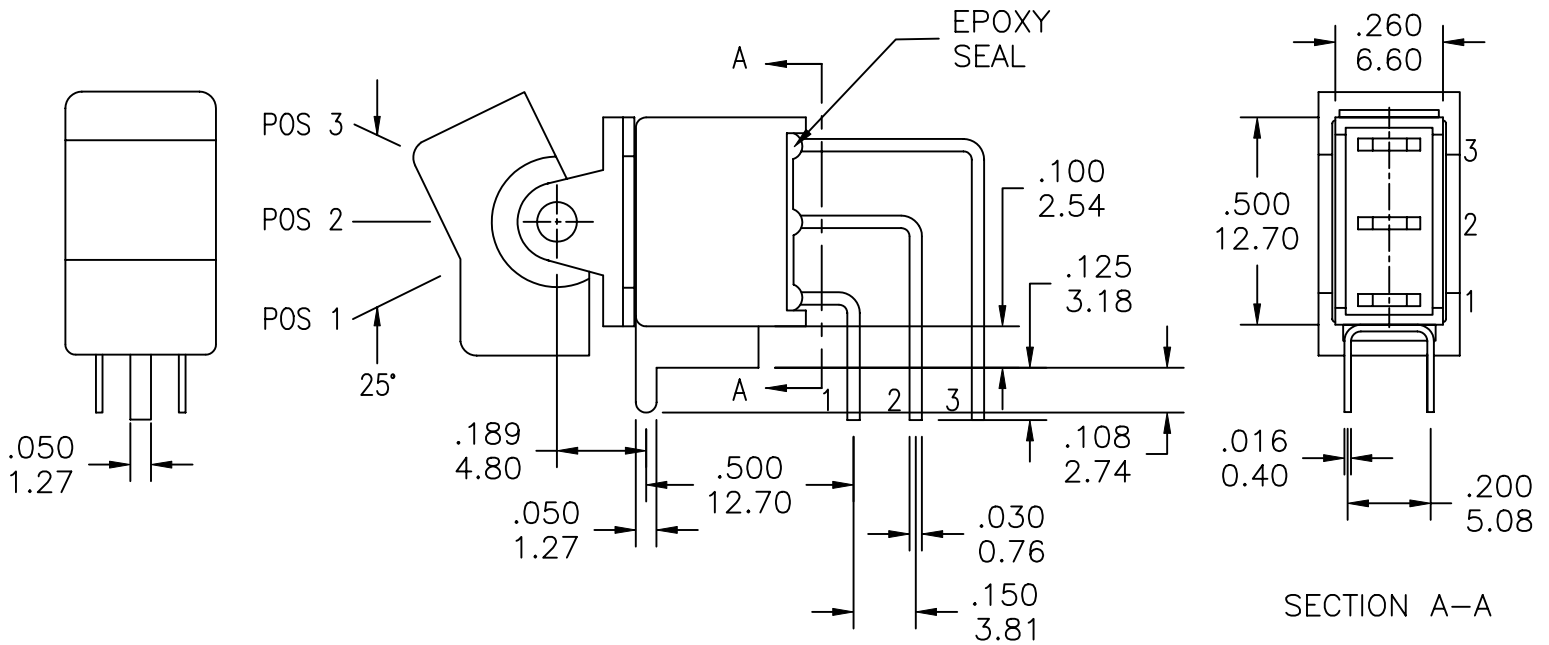
TO 1 DECIMAL PLACE ±.2  
 TO 2 DECIMAL PLACES ±.10  
 AS ANGLES ±

ISSUE

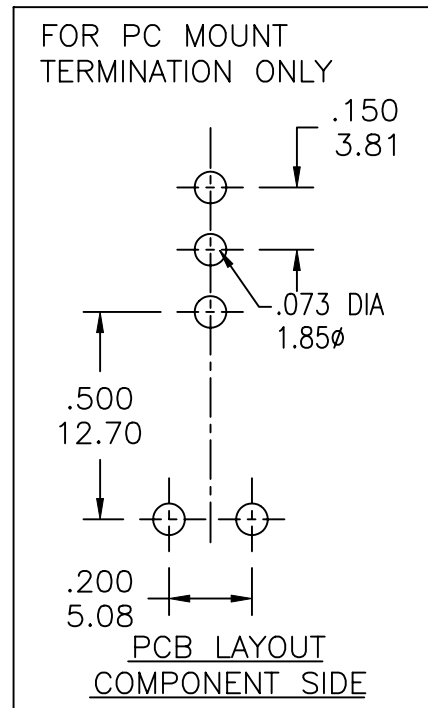
DATE

A

07/16/07



MODEL NO.	SWITCHING POSITION		
8015L	ON	NONE	ON
8015LA	ON	NONE	MOM
8016L	ON	OFF	ON
8016LA	MOM	OFF	MOM
8016LB	ON	OFF	MOM
CONN. TERMS	2-3	OPEN	2-1
SCHEMATIC	SPDT 		



UNLESS OTHERWISE SPECIFIED, ALL DIMENSIONS ARE IN INCHES [MM].

TO 1 DECIMAL PLACE ±.2  
 TO 2 DECIMAL PLACES ±.10  
 AS ANGLES ±

ISSUE

DATE

A

07/16/07

SPECIFICATIONS

ELECTRICAL

CONTACT RATING:

SILVER: 5A @ 120 VAC OR 28 VDC, 2A @ 250 VAC  
 GOLD: 0.4 VA MAX. @ 20 V MAX. (AC OR DC)

CONTACT RESISTANCE: 10 MILLIOHMS MAX.

INSULATION RESISTANCE: 1,000 MEGOHMS MIN. AT 500 VDC

DIELECTRIC STRENGTH: 1,000 VRMS

MECHANICAL

LIFE: 30,000 CYCLES

ENVIRONMENTAL:

OPERATING TEMPERATURE: -30°C TO +85°C

MATERIAL:

CASE AND BUSHING: GLASS FILLED NYLON 6/6, UL94V-0

ACTUATOR: NYLON, BLACK STD. INTERNAL O-RING SEAL STD.

FRAME: SPRING STEEL, BLACK STD.

SWITCH SUPPORT: BRASS OR STEEL, TIN PLATED

ACTUATOR PIVOT AND MOUNTING BRACKET: NYLON

ACTUATOR PIVOT RETAINER: STAINLESS STEEL

CONTACT/TERMINALS: COPPER ALLOY, SILVER OR GOLD PLATED

PART NUMBER BUILDER:

SERIES	MODEL NO.	ACTUATOR	ACTUATOR COLOR	TERMINATION	CONTACT PLATING	SEAL
SSPR -	<input type="text"/>	- <input type="text"/>	<input type="text"/>	<input type="text"/>	<input type="text"/>	<input type="text"/>
	8015L	R11 (.531" ROCKER)	1 - BLUE		Q (SILVER)	BLANK
	8015LA	R12 (.362" SMALL ROCKER)	2 - RED		R (GOLD)	E (EPOXY)
	8016L	R15 (.906" LARGE ROCKER)	3 - BLACK (std)	C (PC MOUNT)		
	8016LA	P13 (.740" PADDLE)	4 - BROWN			
	8016LB	P16 (1.174" LARGE PADDLE)	5 - GREEN			
		P17 (.644" SMALL PADDLE)	6 - WHITE			
		P18 (.644" ROUND PADDLE)	7 - GRAY			
		P19 (.894" ROUND LARGE PADDLE)	8 - ORANGE			
			9 - YELLOW			
			0 - VIOLET			



TITLE: SSPR 8015L/8016L SEALED ROCKER/PADDLE SWITCHES

PART NO: SEE CHART

DATE: 05/30/07

DRAWN: GAT

CHKD: JF

SCALE:

SHEET: 2 OF 6

UNLESS OTHERWISE SPECIFIED, ALL DIMENSIONS ARE IN INCHES [MM].

TO 1 DECIMAL PLACE ±.2  
 TO 2 DECIMAL PLACES ±.10  
 AS ANGLES ±

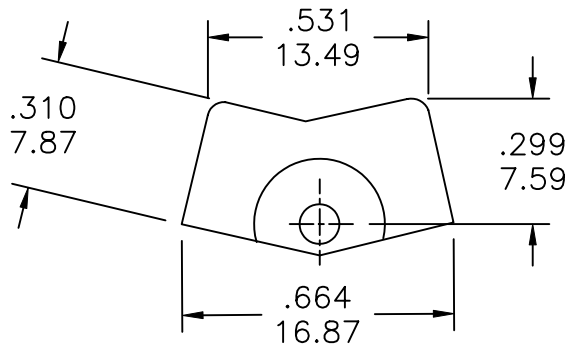
ISSUE

DATE

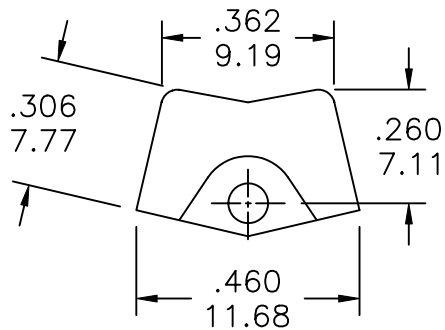
A

07/16/07

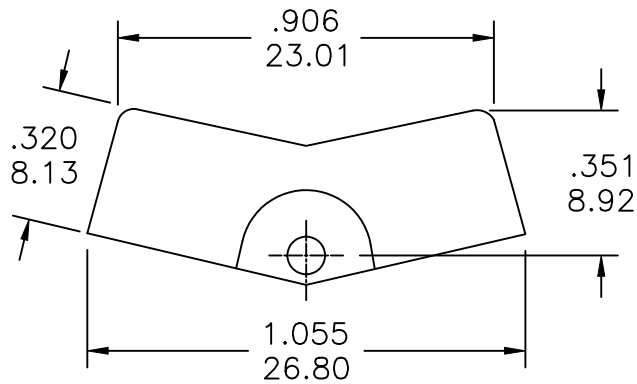
ACTUATOR OPTIONS



R11



R12



R15

UNLESS OTHERWISE SPECIFIED, ALL DIMENSIONS ARE IN INCHES [MM].

TO 1 DECIMAL PLACE ±.2  
 TO 2 DECIMAL PLACES ±.10  
 AS ANGLES ±

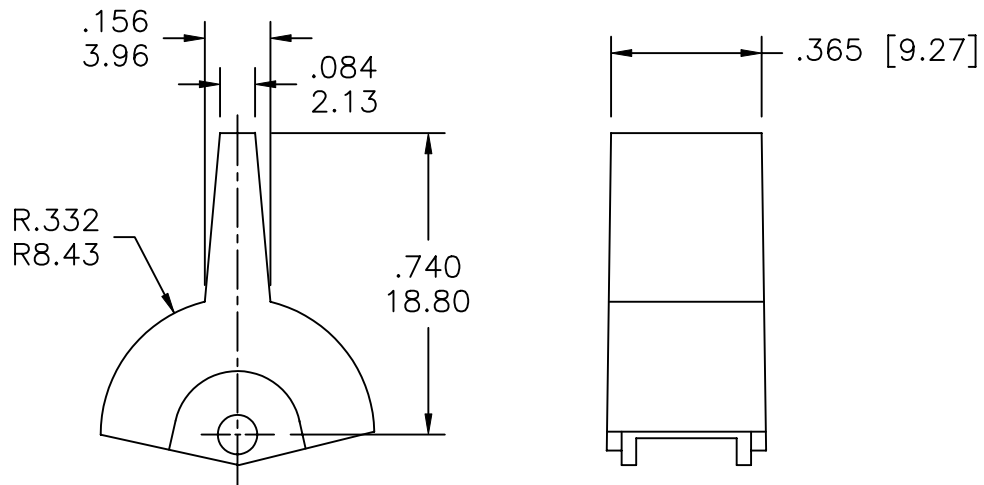
ISSUE

DATE

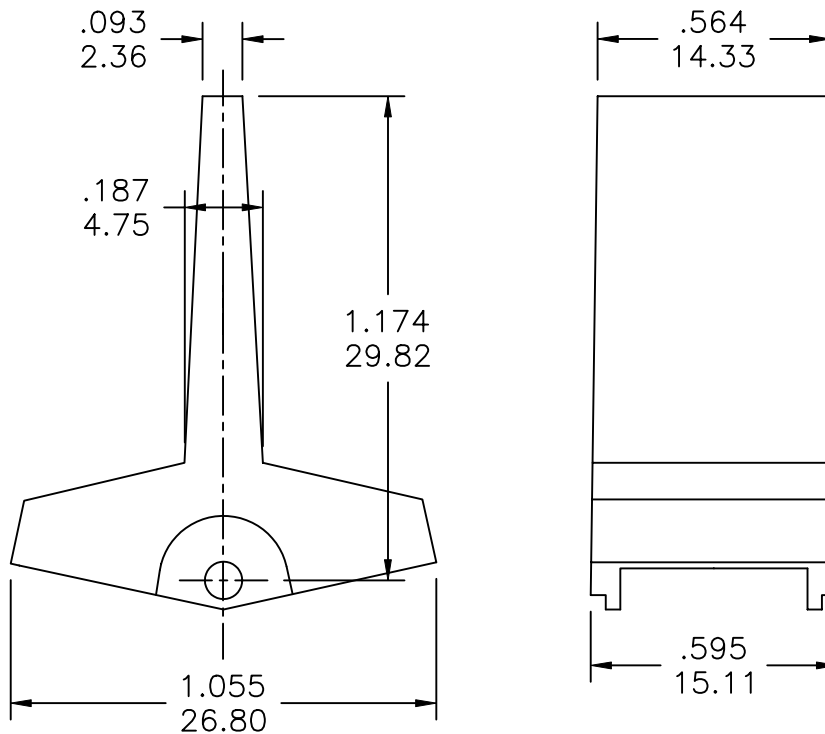
A

07/16/07

ACTUATOR OPTIONS



P13



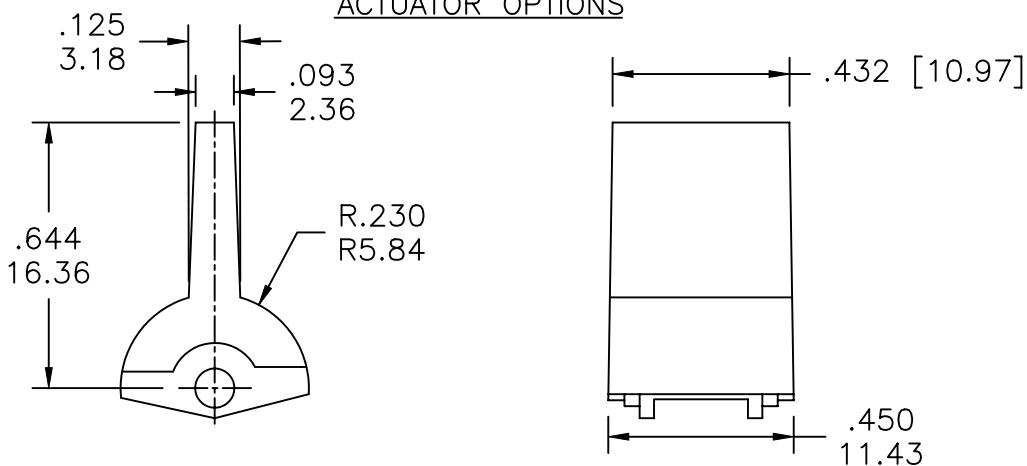
P16

UNLESS OTHERWISE SPECIFIED, ALL DIMENSIONS ARE IN INCHES [MM].

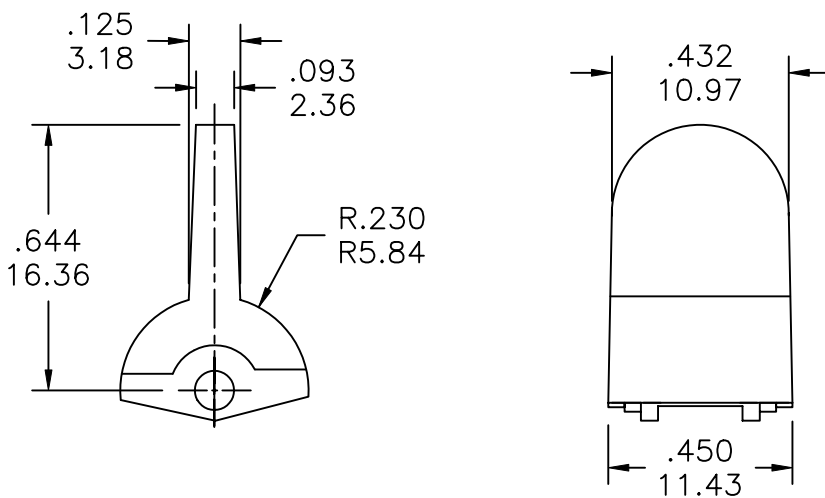
TO 1 DECIMAL PLACE ±.2  
 TO 2 DECIMAL PLACES ±.10  
 AS ANGLES ±

ISSUE	DATE
A	07/16/07

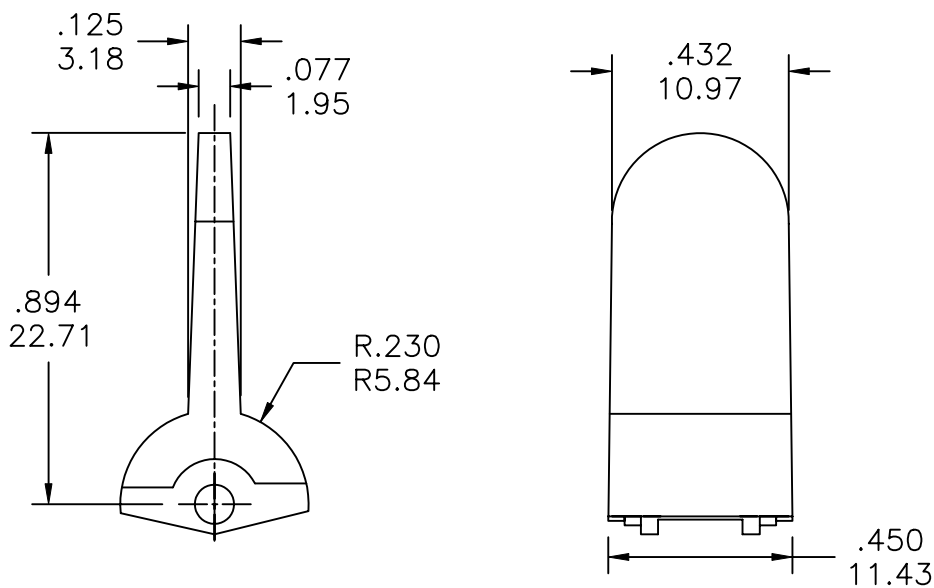
ACTUATOR OPTIONS



P17



P18



P19

UNLESS OTHERWISE SPECIFIED, ALL DIMENSIONS ARE IN INCHES [MM].

TO 1 DECIMAL PLACE ±.2  
TO 2 DECIMAL PLACES ±.10  
AS ANGLES ±

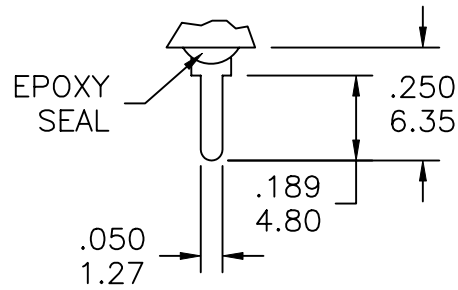
ISSUE

DATE

A

07/16/07

TERMINATION OPTIONS



THK. .030 [0.76]

C

PC MOUNT