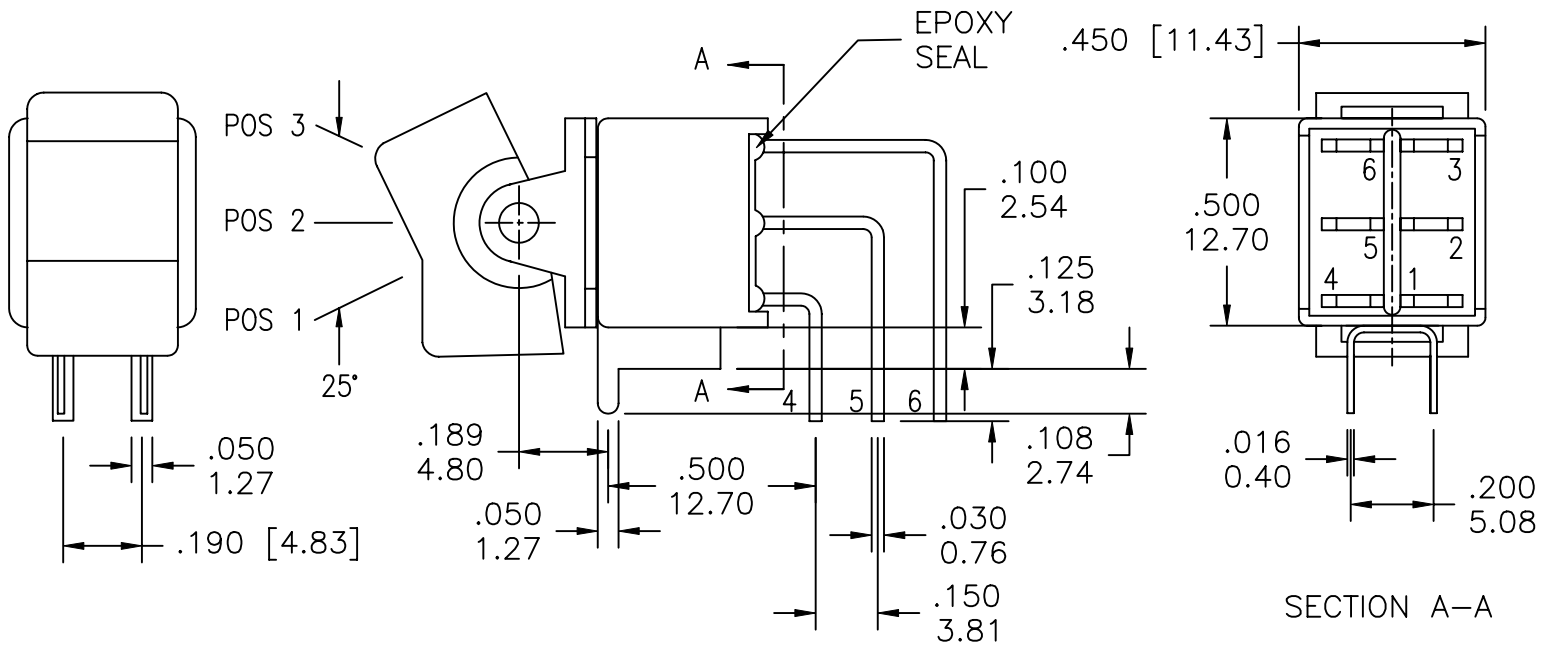


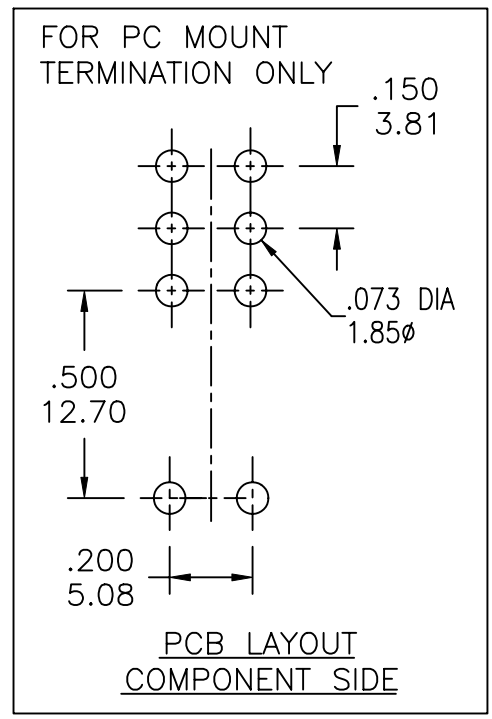
UNLESS OTHERWISE SPECIFIED, ALL DIMENSIONS ARE IN INCHES [MM].

TO 1 DECIMAL PLACE ±.2
 TO 2 DECIMAL PLACES ±.10
 AS ANGLES ±

ISSUE	DATE
A	10/08/07



MODEL NO.	SWITCHING POSITION		
8017L	ON	NONE	ON
8017LA	ON	NONE	MOM
8018L	ON	OFF	ON
8018LA	MOM	OFF	MOM
8018LB	ON	OFF	MOM
CONN. TERMS	2-3 5-6	OPEN	2-1 5-4
SCHEMATIC			



UNLESS OTHERWISE SPECIFIED, ALL DIMENSIONS ARE IN INCHES [MM].

TO 1 DECIMAL PLACE ±.2
 TO 2 DECIMAL PLACES ±.10
 AS ANGLES ±

ISSUE

DATE

A

10/08/07

SPECIFICATIONS

ELECTRICAL

CONTACT RATING:

SILVER: 5A @ 120 VAC OR 28 VDC, 2A @ 250 VAC

GOLD: 0.4 VA MAX. @ 20 V MAX. (AC OR DC)

CONTACT RESISTANCE: 10 MILLIOHMS MAX.

INSULATION RESISTANCE: 1,000 MEGOHMS MIN. AT 500 VDC

DIELECTRIC STRENGTH: 1,000 VRMS

MECHANICAL

LIFE: 30,000 CYCLES

ENVIRONMENTAL:

OPERATING TEMPERATURE: -30°C TO +85°C

MATERIAL:

CASE AND BUSHING: GLASS FILLED NYLON 6/6, UL94V-0

ACTUATOR: NYLON, BLACK STD. INTERNAL O-RING SEAL STD.

FRAME: SPRING STEEL, BLACK STD.

SWITCH SUPPORT: BRASS OR STEEL, TIN PLATED

ACTUATOR PIVOT AND MOUNTING BRACKET: NYLON

ACTUATOR PIVOT RETAINER: STAINLESS STEEL

CONTACT/TERMINALS: COPPER ALLOY, SILVER OR GOLD PLATED

PART NUMBER BUILDER:

SERIES	MODEL NO.	ACTUATOR	ACTUATOR COLOR	TERMINATION	CONTACT PLATING	SEAL
SSPR -	<input type="text"/>	- <input type="text"/>	<input type="text"/>	<input type="text"/>	<input type="text"/>	<input type="text"/>
	8017L	R11 (.531" ROCKER)	1 - BLUE	C (PC MOUNT)	Q (SILVER) R (GOLD)	BLANK E (EPOXY)
	8017LA	R12 (.362" SMALL ROCKER)	2 - RED			
	8018L	R15 (.906" LARGE ROCKER)	3 - BLACK (std)			
	8018LA	P13 (.740" PADDLE)	4 - BROWN			
	8018LB	P16 (1.174" LARGE PADDLE)	5 - GREEN			
		P17 (.644" SMALL PADDLE)	6 - WHITE			
		P18 (.644" ROUND PADDLE)	7 - GRAY			
		P19 (.894" ROUND LARGE PADDLE)	8 - ORANGE			
			9 - YELLOW			
			0 - VIOLET			



TITLE: SSPR 8017L/8018L SEALED ROCKER/PADDLE SWITCHES

PART NO: SEE CHART

DATE: 05/30/07

DRAWN: GAT

CHKD: JF

SCALE:

SHEET: 2 OF 6

UNLESS OTHERWISE SPECIFIED, ALL DIMENSIONS ARE IN INCHES [MM].

TO 1 DECIMAL PLACE ±.2
 TO 2 DECIMAL PLACES ±.10
 AS ANGLES ±

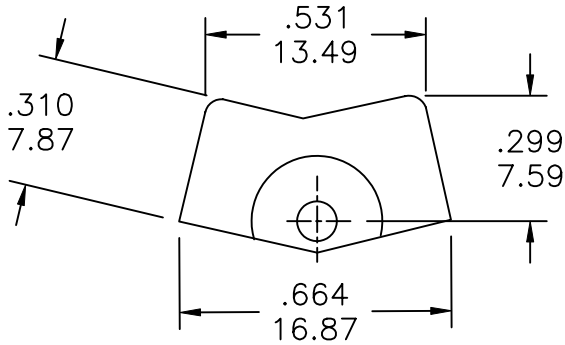
ISSUE

DATE

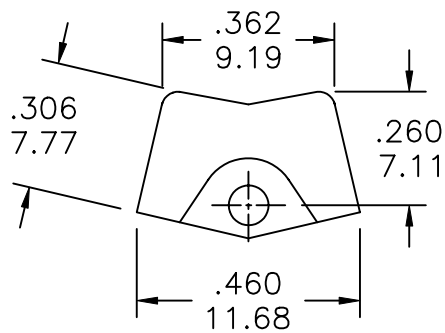
A

10/08/07

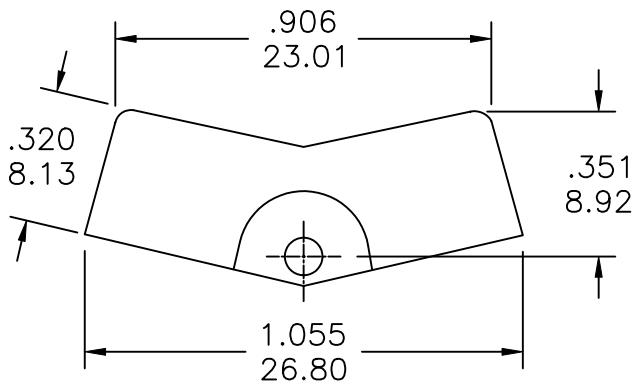
ACTUATOR OPTIONS



R11



R12



R15

UNLESS OTHERWISE SPECIFIED, ALL DIMENSIONS ARE IN INCHES [MM].

TO 1 DECIMAL PLACE ±.2
 TO 2 DECIMAL PLACES ±.10
 AS ANGLES ±

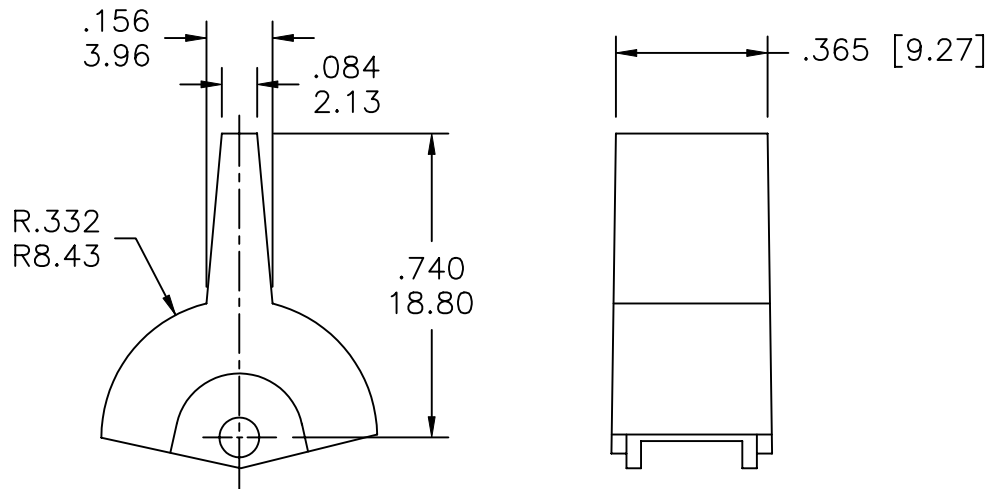
ISSUE

DATE

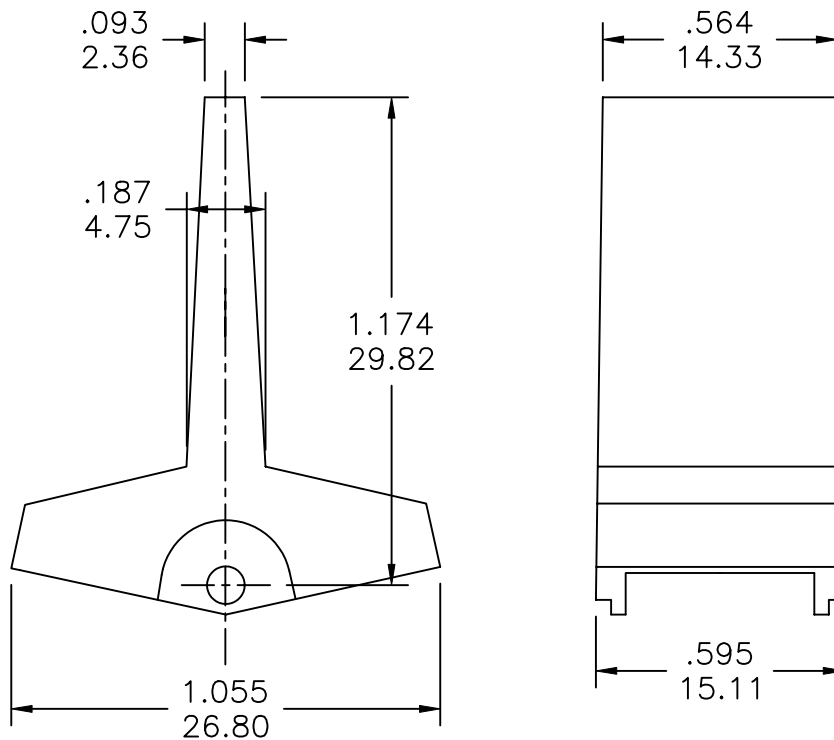
A

10/08/07

ACTUATOR OPTIONS



P13



P16

UNLESS OTHERWISE SPECIFIED, ALL DIMENSIONS ARE IN INCHES [MM].

TO 1 DECIMAL PLACE ±.2
 TO 2 DECIMAL PLACES ±.10
 AS ANGLES ±

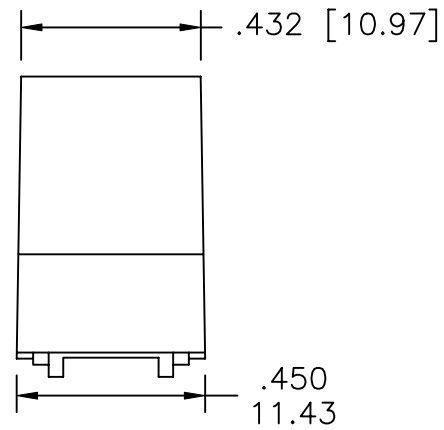
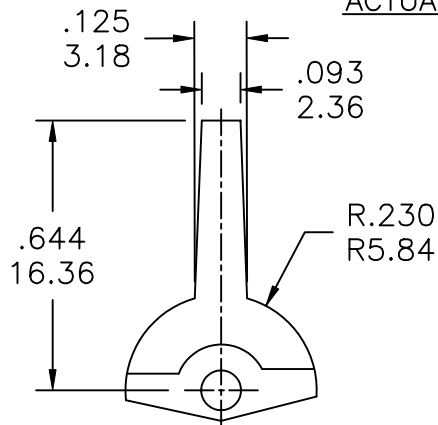
ISSUE

DATE

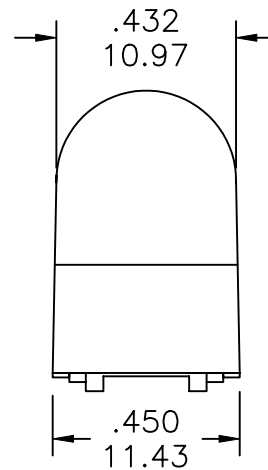
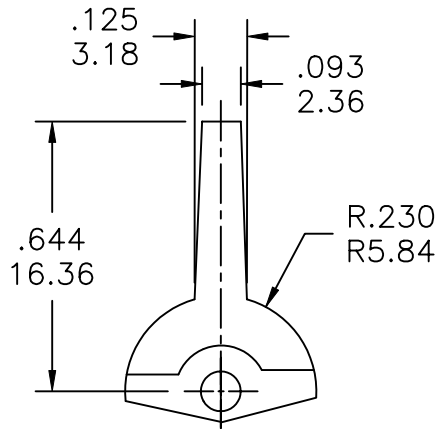
A

10/08/07

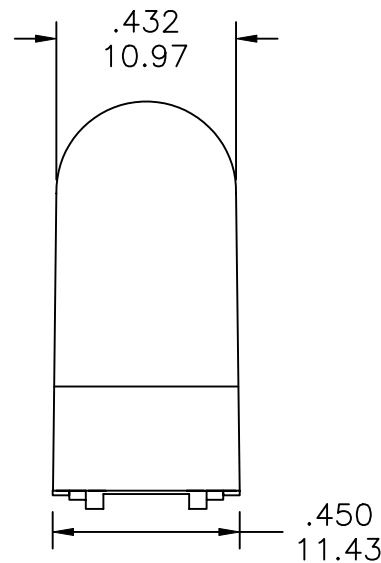
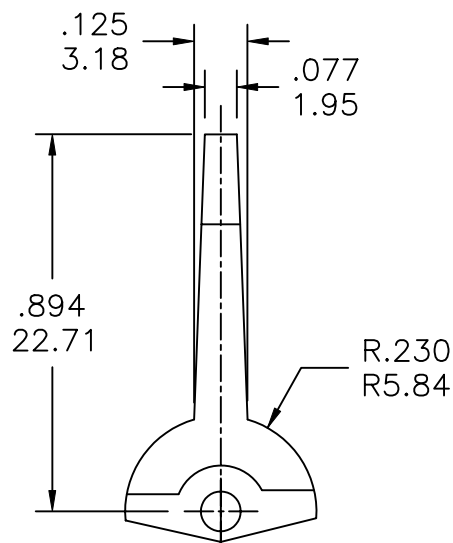
ACTUATOR OPTIONS



P17



P18



P19

UNLESS OTHERWISE SPECIFIED, ALL DIMENSIONS ARE IN INCHES [MM].

TO 1 DECIMAL PLACE ±.2
TO 2 DECIMAL PLACES ±.10
AS ANGLES ±

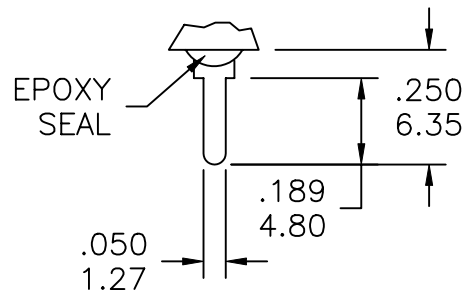
ISSUE

DATE

A

10/08/07

TERMINATION OPTIONS



THK. .030 [0.76]

C

PC MOUNT