

1 | 2 | 3 | 4

COMPONENT SPECIFICATION | USE OR REPRODUCTION OF THIS DRAWING FOR THE PURPOSE OF MANUFACTURING THIS ARTICLE OR ANY ARTICLES SHOWN FOR ANY PURPOSE IS STRICTLY PROHIBITED WITHOUT WRITTEN PERMISSION FROM SENIOR INDUSTRIES, INC.

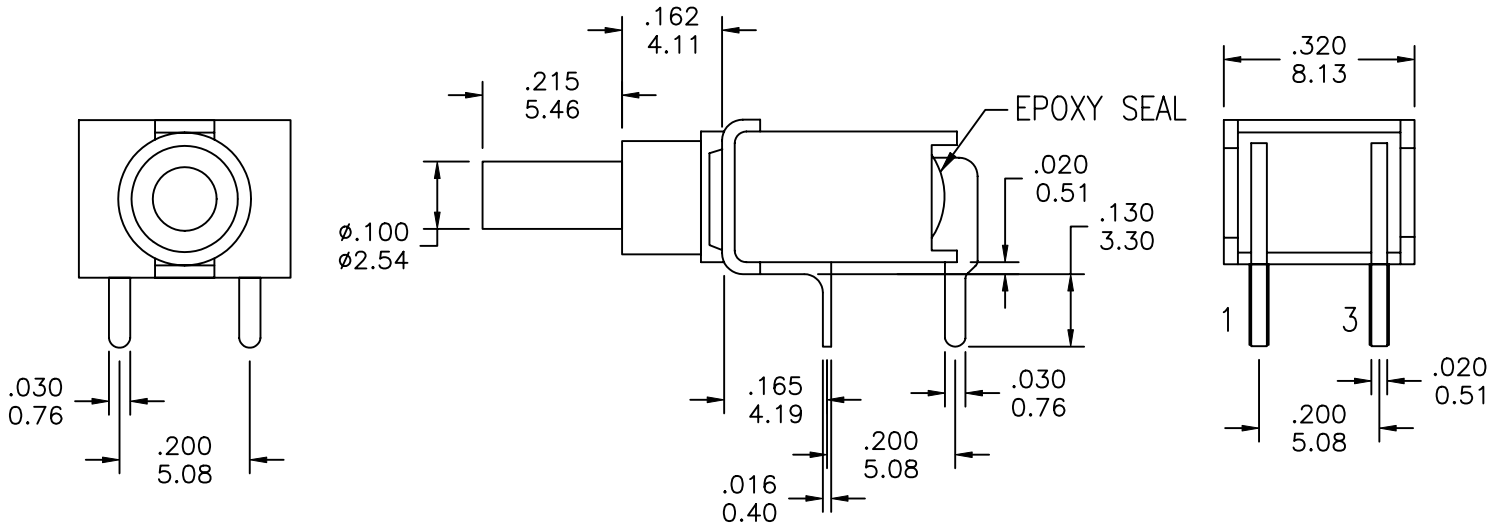
A

B

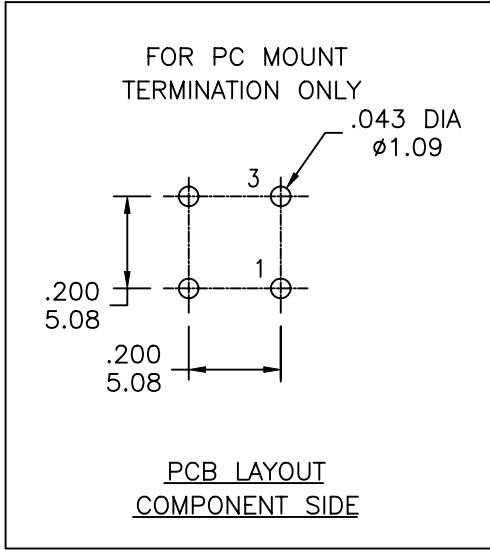
C

D

E



MODEL NO.	SWITCHING POSITION	
	TS21A	OFF
CONN. TERMS	OPEN	1-3
SCHEMATIC	SPST 	



DESIGNED:	DRAWN:	CHECKED:	APPROVED:	SYM.	DATE	DESCRIPTION OF REVISIONS	DRAWN	APPD.
	GAT	GAT	JF		01.17.07	NEW	GAT	JF
					. . .			
					. . .			
					. . .			

3RD ANGLE		UNIT:	IN [mm]	SCALE:	2:1	REV.	A
-----------	--	-------	---------	--------	-----	------	---



TOLERANCE:	PART NO:
TO 2 DECIMAL PLACE: $\pm .10$	SSSP-TS21A-XXXX
TO 3 DECIMAL PLACES: $\pm .010$	TITLE:
AS ANGLES: $\pm 1/2^\circ$	PUSHBUTTON SWITCH
SHEET:	1 OF 3

COMPONENT  
SPECIFICATIONUSE OR REPRODUCTION OF THIS DRAWING FOR THE PURPOSE OF MANUFACTURING THIS  
ARTICLE OR ANY ARTICLES SHOWN FOR ANY PURPOSE IS STRICTLY PROHIBITED WITHOUT  
WRITTEN PERMISSION FROM SENIOR INDUSTRIES, INC.SPECIFICATIONSELECTRICALCONTACT RATING: SILVER: 1A @ 120 VAC OR 28 VDC  
GOLD: 0.4 VA MAX. @ 20 V MAX. (AC OR DC)

CONTACT RESISTANCE: 20 MILLIOHMS MAX.

INSULATION RESISTANCE: 1,000 MEGOHMS MIN. AT 500 VDC

DIELECTRIC STRENGTH: 1,000 VRMS

MECHANICAL

LIFE: 50,000 CYCLES

ENVIRONMENTAL

OPERATING TEMPERATURE: -30°C TO +85°C

MATERIAL

CASE: GLASS FILLED NYLON 66, UL94V-0

ACTUATOR: THERMOPLASTIC POLYESTER WITH INTERNAL O-RING SEAL, UL94V-0

BUSHING: GLASS FILLED NYLON 66, UL94V-0

SUPPORT: BRASS OR STEEL, TIN PLATED

CONTACT/TERMINALS: COPPER ALLOY, SILVER OR GOLD PLATED

REGULATORY

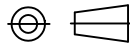
UL AND CANADA RECOGNIZED COMPONENT. UL FILE NO. E173084.

PART NUMBER BUILDER:

SERIES	MODEL NO.	CAP	CAP COLOR	TERMINATION	CONTACT PLATING
SSSP -	<input type="text"/>	- <input type="text"/>	<input type="text"/>	<input type="text"/>	<input type="text"/>
	TS21A	BLANK CV CV1	BLANK 1 - BLUE 2 - RED 3 - BLACK (STD) 4 - BROWN 5 - GREEN 6 - WHITE 7 - GRAY 8 - ORANGE 9 - YELLOW 0 - VIOLET	C (PC MOUNT)	Q (SILVER) R (GOLD)

DESIGNED:			SYM.	DATE	DESCRIPTION OF REVISIONS	DRAWN	APPD.
DRAWN:	GAT	01/17/07		01.17.07	NEW	GAT	JF
CHECKED:	GAT	01/17/07		.	.		
APPROVED:	JF	01/17/07		.	.		

3RD ANGLE



UNIT:

IN [mm]

SCALE:

REV.

A

**SENIOR  
INDUSTRIES, INC.**

TOLERANCE:

TO 2 DECIMAL PLACE: ±

TO 3 DECIMAL PLACES: ±

AS ANGLES: ±

SHEET:

PART NO:

SSSP-TS21A-XXXX

TITLE:

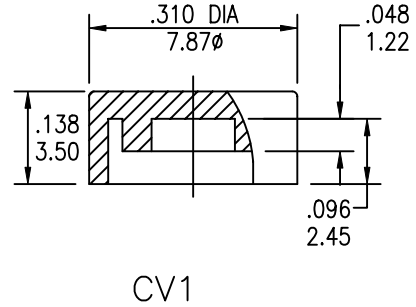
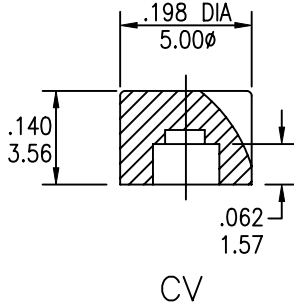
PUSHBUTTON SWITCH

2 OF 3

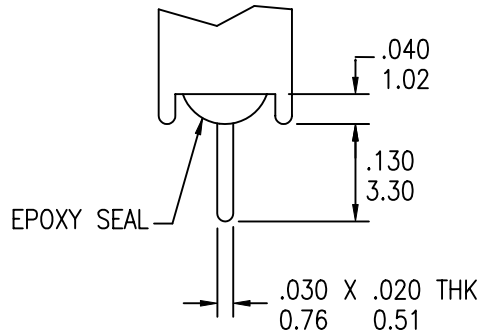
1  
COMPONENT SPECIFICATION

2  
3  
4  
USE OR REPRODUCTION OF THIS DRAWING FOR THE PURPOSE OF MANUFACTURING THIS ARTICLE OR ANY ARTICLES SHOWN FOR ANY PURPOSE IS STRICTLY PROHIBITED WITHOUT WRITTEN PERMISSION FROM SENIOR INDUSTRIES, INC.

A  
B  
CAP OPTIONS

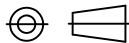


C  
TERMINATION OPTIONS



DESIGNED:			SYM.	DATE	DESCRIPTION OF REVISIONS	DRAWN	APPD.
DRAWN:	GAT	01/17/07	▲	01.17.07	NEW	GAT	JF
CHECKED:	GAT	01/17/07	▲	.	.		
APPROVED:	JF	01/17/07	▲	.	.		

3RD ANGLE



UNIT:

IN [mm]

SCALE:

REV.

A



TOLERANCE:

TO 2 DECIMAL PLACE:	±.10
TO 3 DECIMAL PLACES:	±.010
AS ANGLES:	±1/2°

PART NO:

SSSP-TS21A-XXXX

TITLE:

PUSHBUTTON SWITCH

SHEET:

3 OF 3